

# Product information.

## Hot Water Supply Temperature:

- Maximum: 180°F
- Minimum: 50°F
- Recommended: 150°F - 160°F
- Minimum difference hot mixed temperate: 50°F

## Operating Pressure:

- Maximum: 125 psi
- Minimum: 20 psi
- Recommended: 30 psi - 95 psi
- Operating pressures (on hot and cold lines) should be kept as balanced as possible, in order to assure the maximum efficiency.

## Mixed Water Temperature:

- Maximum: 120°F

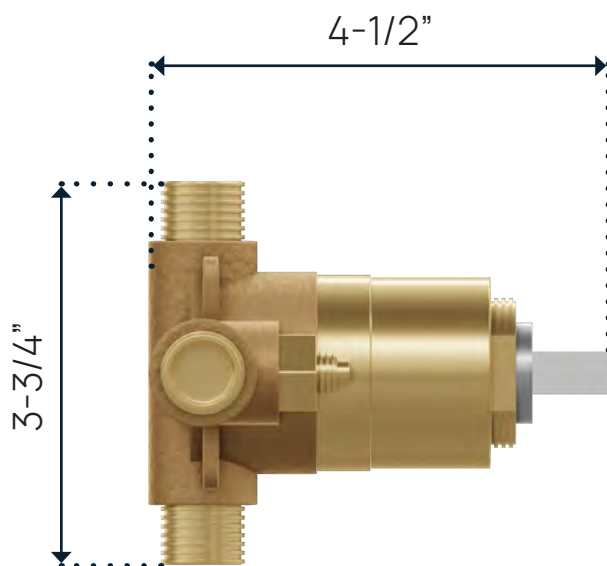
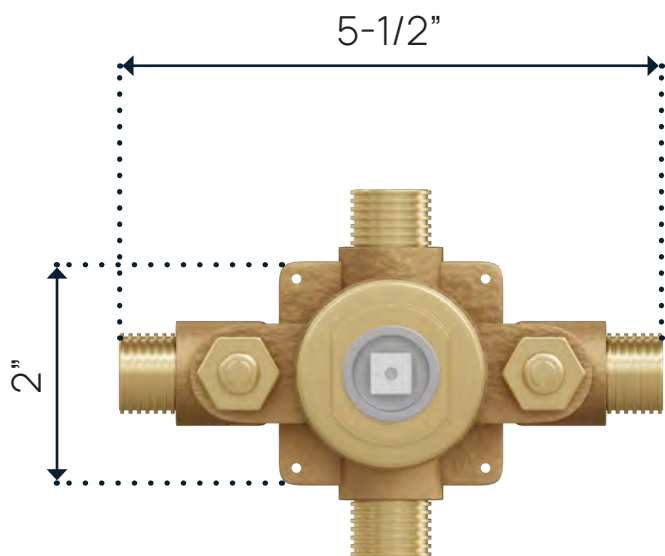
## Standards:

ASSE 1016.ASME A112.18.1/CSA B123.1

## Approvals:



# Product specs.



# Product information.

## Includes:

- Multi Function Shower Head & Arm
- Valve Trim Kit
- Tub Filler with Diverter

## Operating Temperature:

- Maximum: 176°F

## Operating Flow Rate:

- Shower Head: 1.8 USGPM
- Tub Filler: 6.3 USGPM

## Standards:

- ASSE 1016-2011
- ASME\_A112.1016-20011
- CSA B125:16-11

## Approvals:



## Available In:

Polished  
Chrome



Satin  
Nickel



Matte  
Black



Satin  
Brass



