

Product information.

Hot Water Supply Temperature:

- Maximum: 180°F
- Minimum: 50°F
- Recommended: 150°F - 160°F
- Minimum difference hot mixed temperate: 50°F

Operating Pressure:

- Maximum: 125 psi
- Minimum: 20 psi
- Recommended: 30 psi - 90 psi
- Operating pressures (on hot and cold lines) should be kept as balanced as possible, in order to assure the maximum efficiency.

Mixed Water Temperature:

- Maximum: 120°F

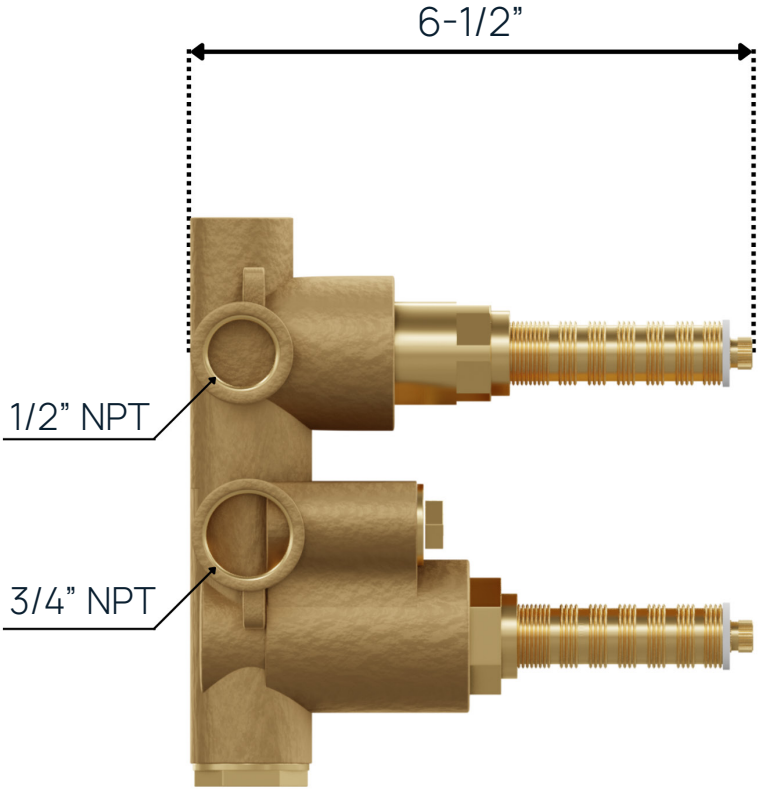
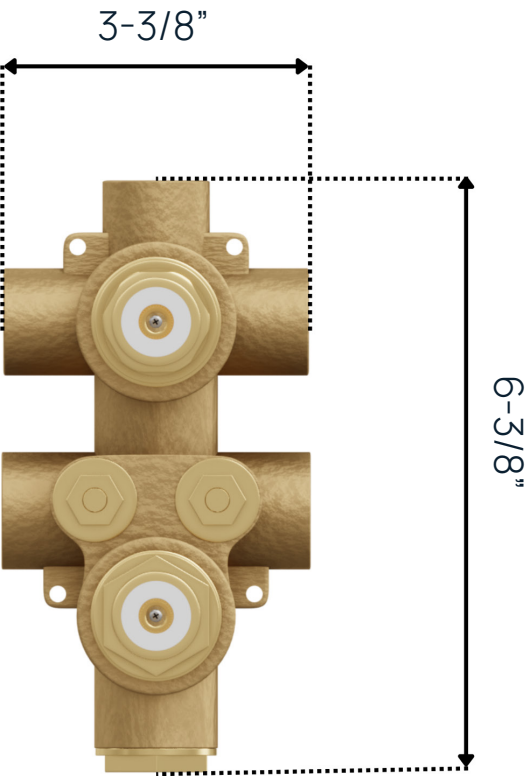
Standards:

ASSE 1016.ASME A112.18.1/CSA B123.1

Approvals:



Product specs.



Product information.

Includes:

- Rainhead and Shower Arm
- Hand Shower
- Valve Trim Kit

Operating Temperature:

- Maximum: 176°F

Operating Flow Rate:

- Shower Head: 1.8 USGPM
- Hand Shower: 1.8 USGPM

Approvals:



Available In:

Polished
Chrome



Satin
Nickel



Matte
Black



Satin
Brass



