

Thanks for choosing Borhn!

This document contains the manual for *both* the shower rough-in valve and the shower trim.

We hope you enjoy your Borhn products, and as always - reach out with any questions, comments or critiques to:

email: customerservice@borhn.com

text: 505.456.5240

Firstly, the valve...

Borhn.

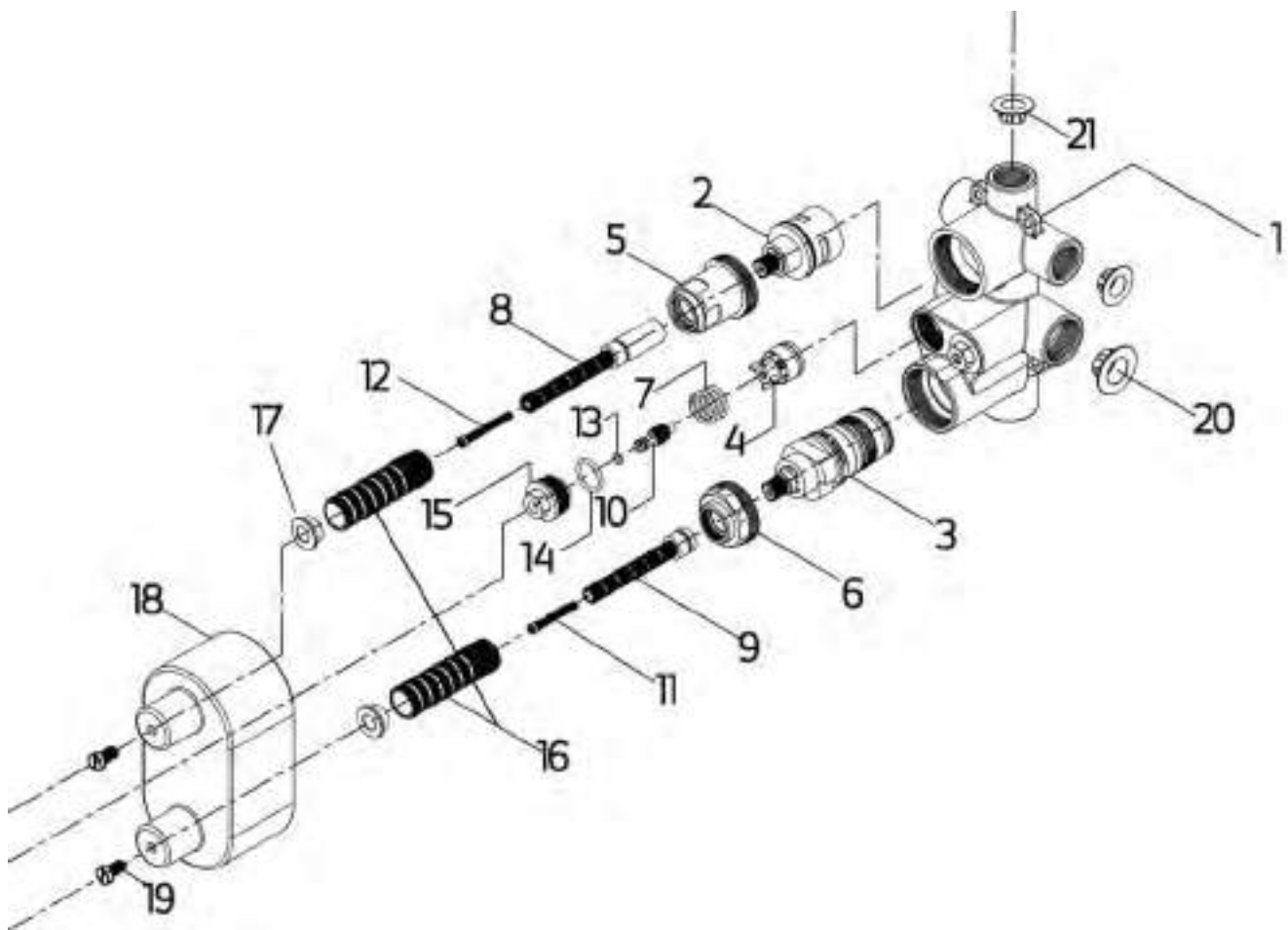
Thermostatic Valve with 3-Way Non-Shared Diverter



Scan code
for installation
instructions.

Borhn.

Here's what you have.



- ① Valve Body
- ② Diverter Cartridge
- ③ Thermostat Cartridge
- ④ Neoperl Aerator (2)
- ⑤ Diverter Cartridge Securing Nut
- ⑥ Thermostatic Cartridge Securing Nut
- ⑦ Service Stop Spring (2)
- ⑧ Diverter Inner Spindle
- ⑨ Thermostat Inner Spindle
- ⑩ Service Stop Spindle (2)
- ⑪ Thermostat Inner Spindle Screw
- ⑫ Diverter Inner Spindle Screw
- ⑬ Service Stop O-Ring (2)
- ⑭ Service Stop O-Ring (2)
- ⑮ Service Stop Securing Nut (2)
- ⑯ Outer Spindle (2)
- ⑰ Plastic Spacer (2)
- ⑱ Plaster Guard
- ⑲ Plaster Guard Screw (2)
- ⑳ 3/4" Dust Cap (2)
- ㉑ 1/2" Dust Cap (3)

Product information.

Hot Water Supply Temperature:

- Maximum: 180°F
- Minimum: 50°F
- Recommended: 150°F - 160°F
- Minimum difference hot mixed temperate: 50°F

Operating Pressure:

- Maximum: 125 psi
- Minimum: 20 psi
- Recommended: 30 psi - 90 psi
- Operating pressures (on hot and cold lines) should be kept as balanced as possible, in order to assure the maximum efficiency.

Mixed Water Temperature:

- Maximum: 120°F

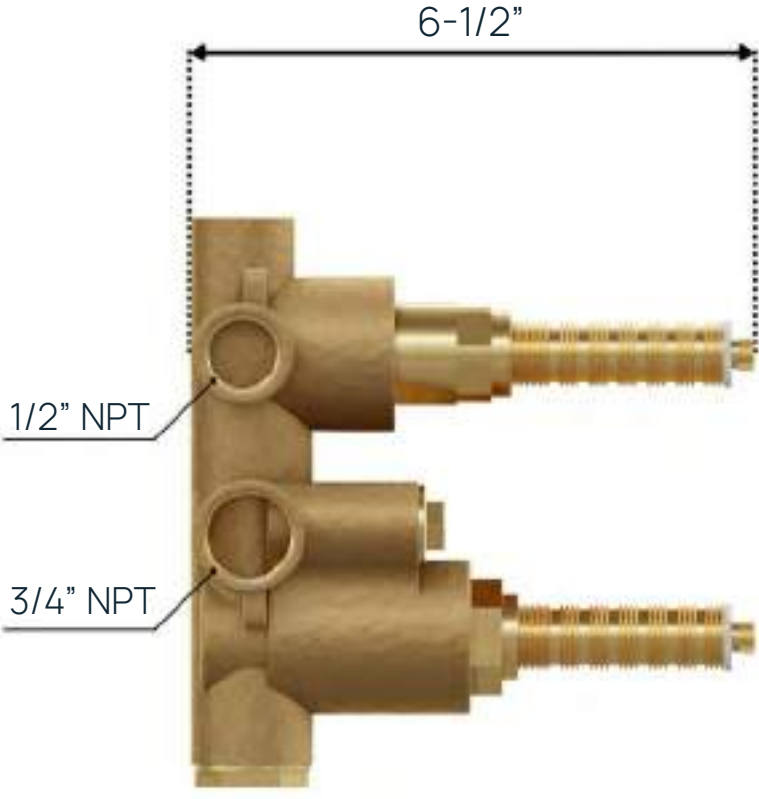
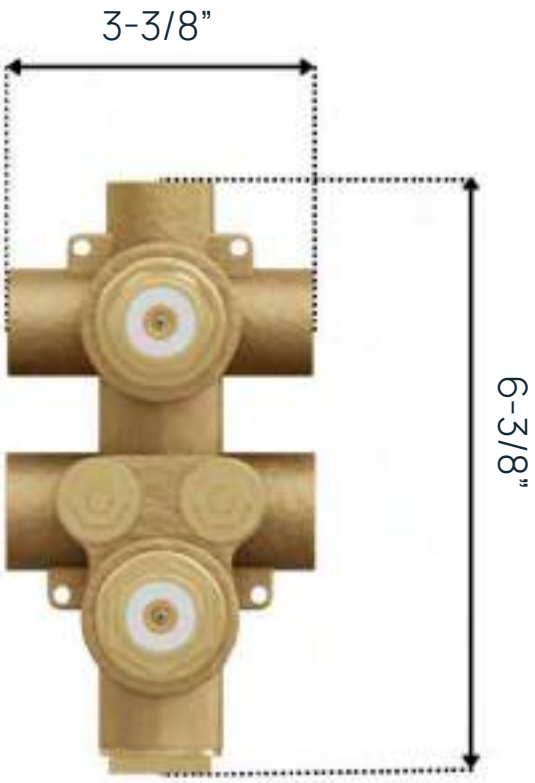
Standards:

ASSE 1016.ASME A112.18.1/CSA B123.1

Approvals:



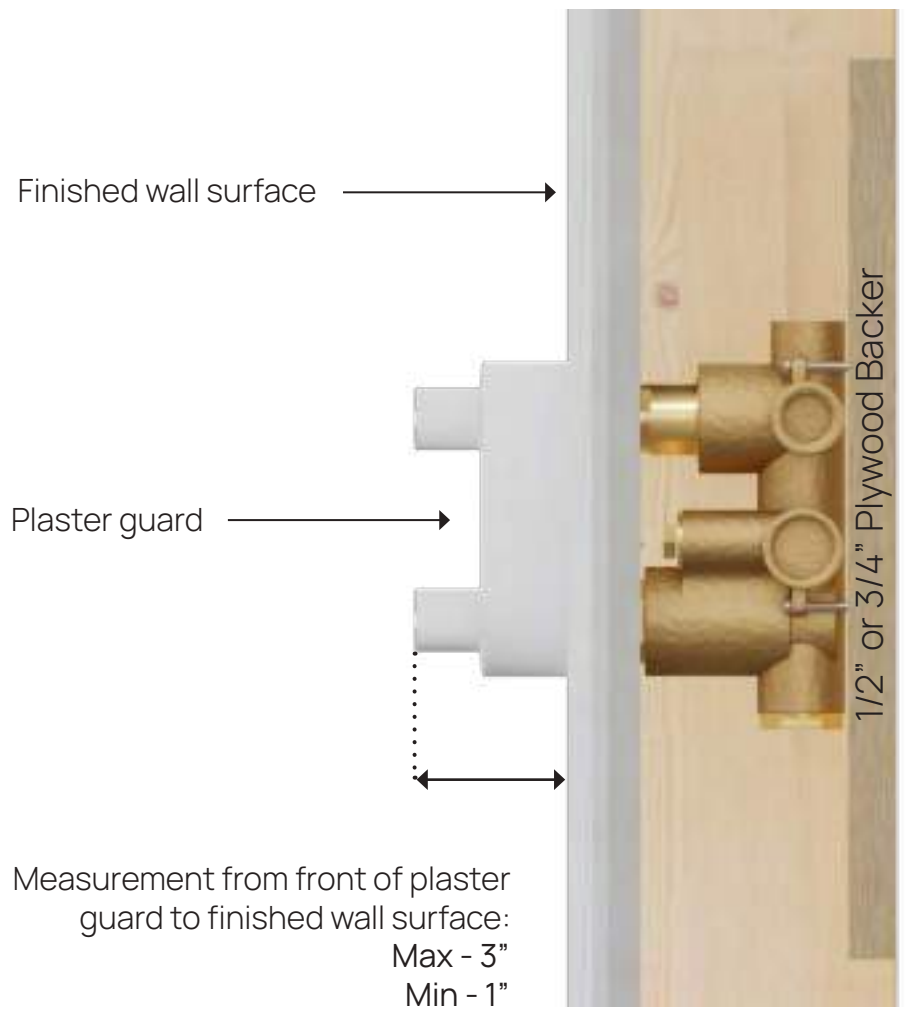
Product specs.



1

- Install the backer. Refer to the diagram that matches your space.
- For a 2x4 space, install the plywood backer as far back as possible.

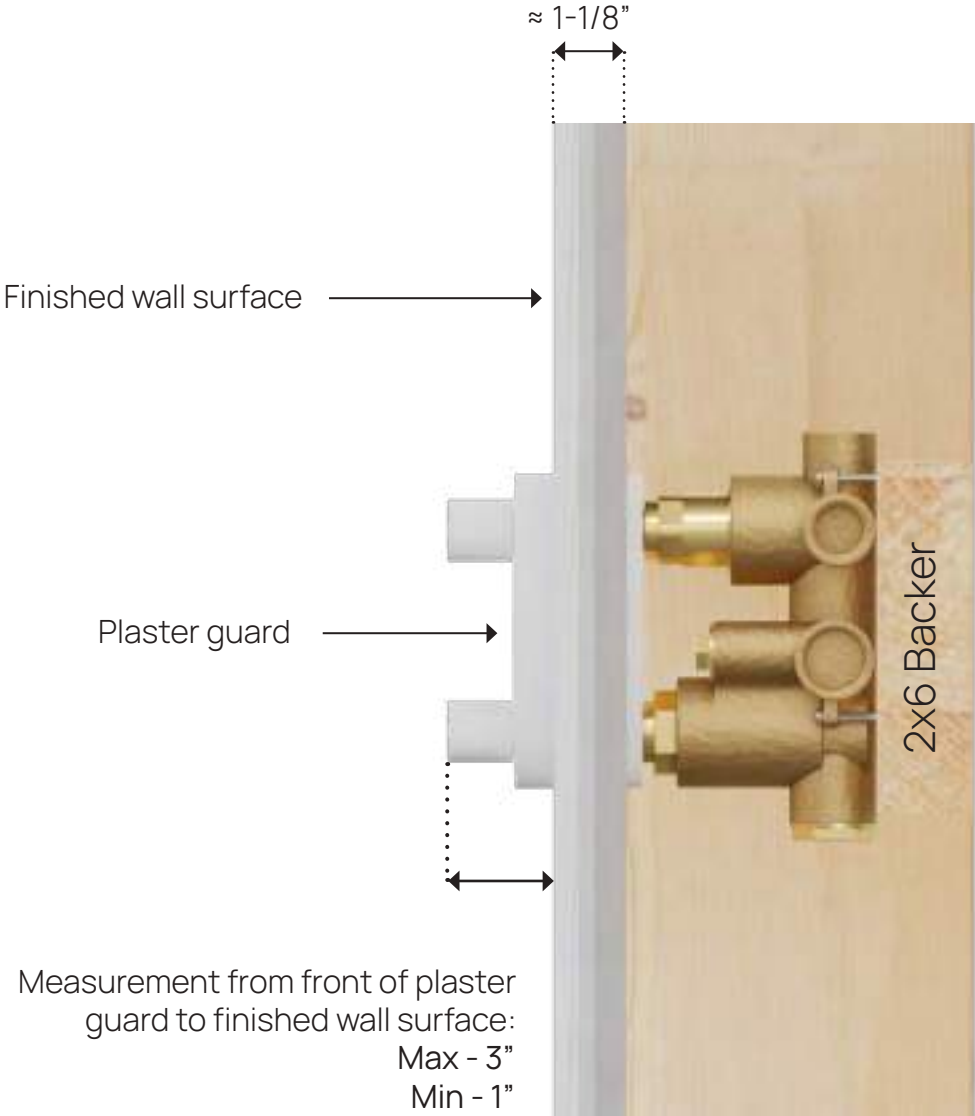
2x4 Space:



- For a 2x6 space - refer to the min and max measurements and install the 2x6 backer accordingly.

- We calculate the finished wall surface, which includes the durock, thinset, and tile - to be approximately 1-1/8" thick.

2x6 Space:



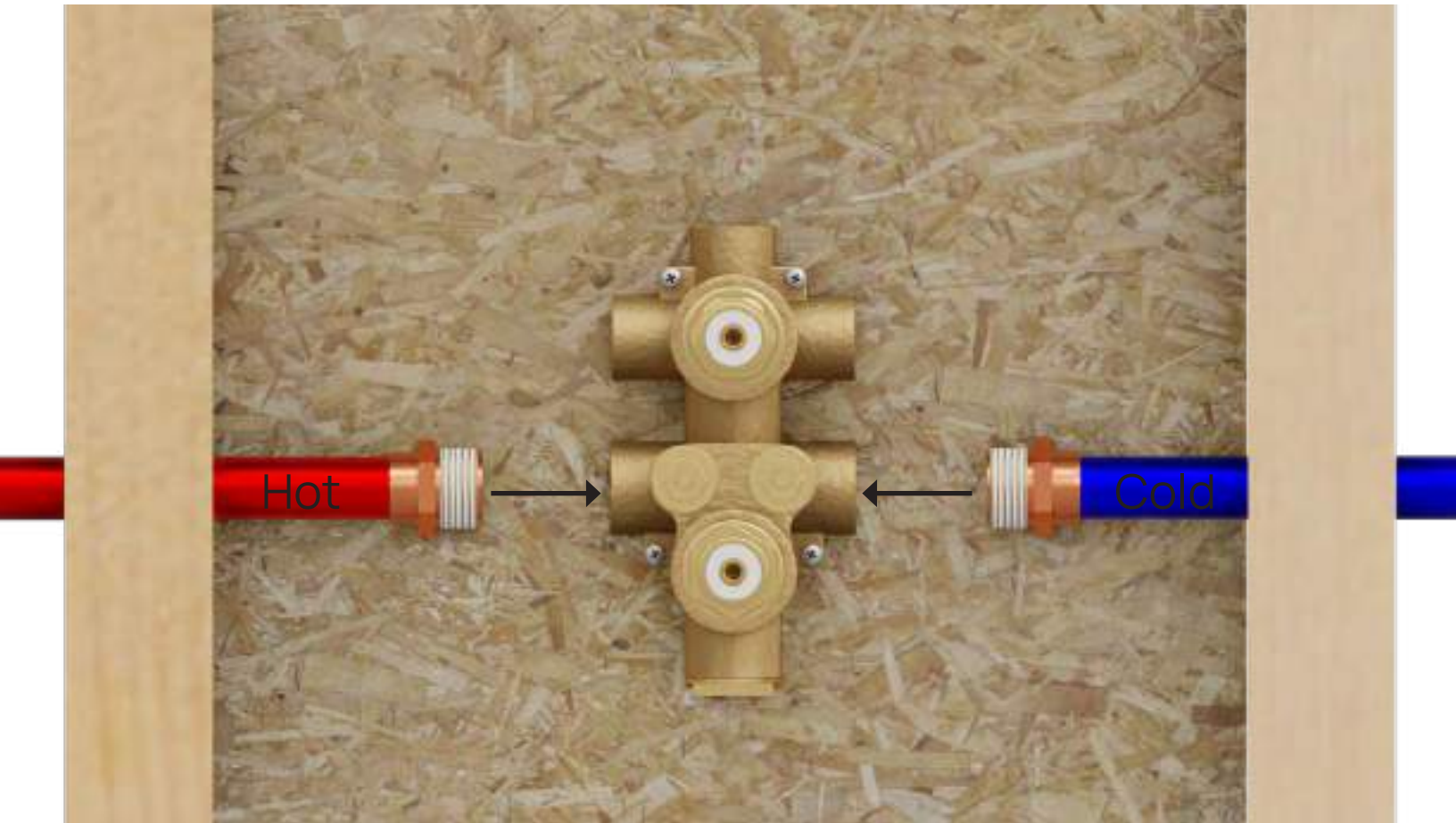
2

- Secure valve to the backer using wood screws.



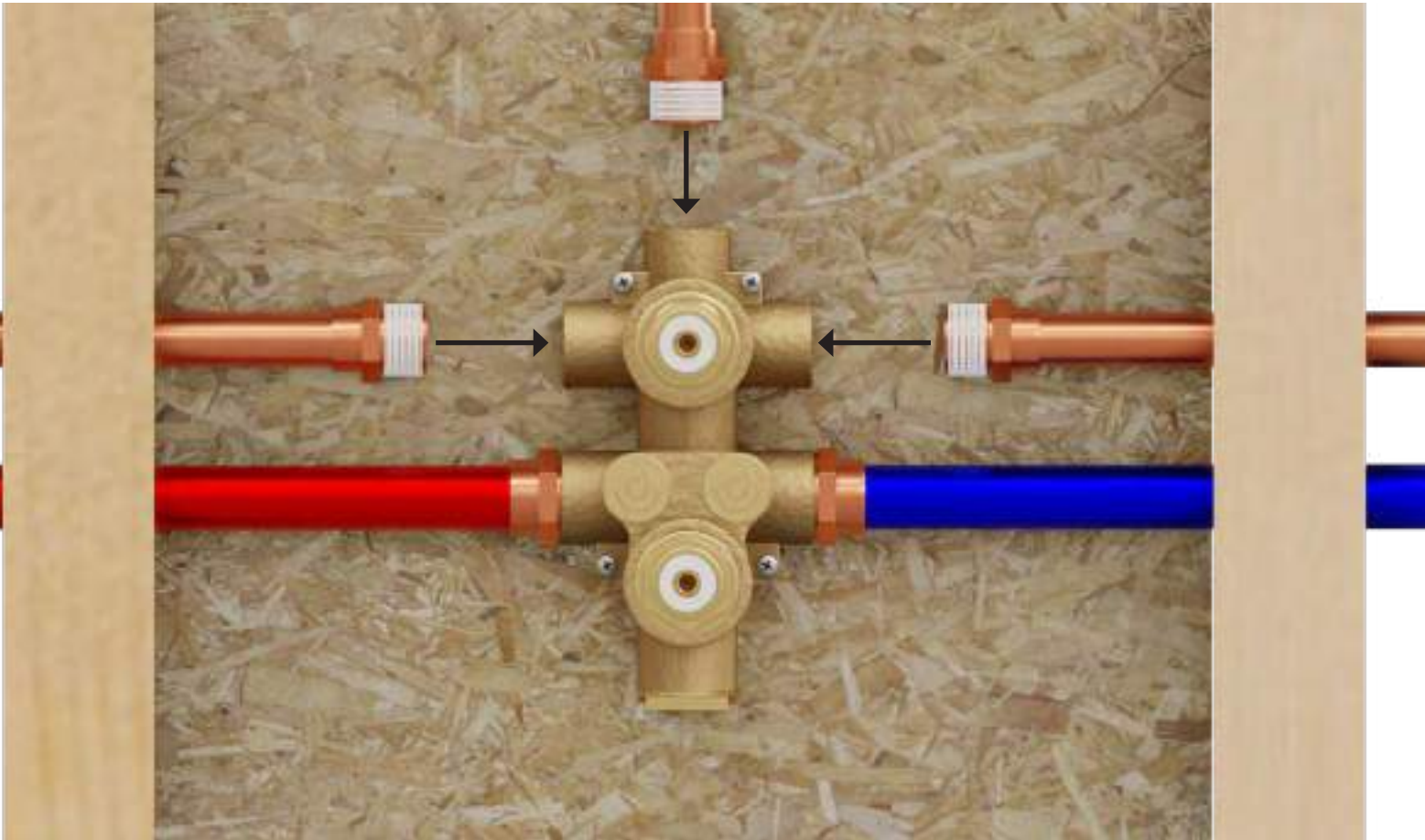
3

- Install 3/4" hot and cold supply lines and firmly secure with a wrench.
- If using heat near the valve body, remove cartridges and service stops.



4

- Install up to three 1/2" outlets and firmly secure with a wrench.
- If using less than three outlets, use a 1/2" cap to cap off any outlets not in use.



5

- Cut a hole in the finished wall surface as close as possible to the plaster guard.



Meridian

Premium Tub/Shower Set With Hand Held



Scan code
for installation
instructions.

Borhn.

Product information.

Includes:

- Rainhead and Shower Arm
- Hand Shower
- Valve Trim Kit
- Tub Filler

Operating Temperature:

- Maximum: 176°F

Operating Flow Rate:

- Shower Head: 1.8 USGPM
- Hand Shower: 1.8 USGPM
- Tub Filler: 6.3 USGPM

Approvals:



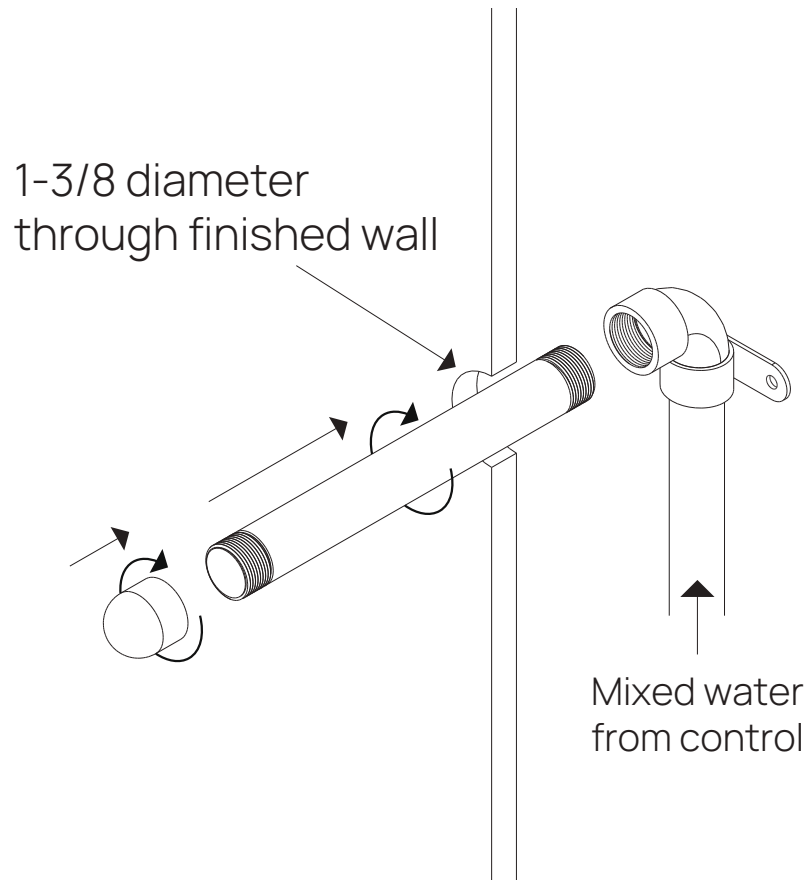
Available In:

Polished Chrome	Satin Nickel	Matte Black	Satin Brass
--------------------	-----------------	----------------	----------------



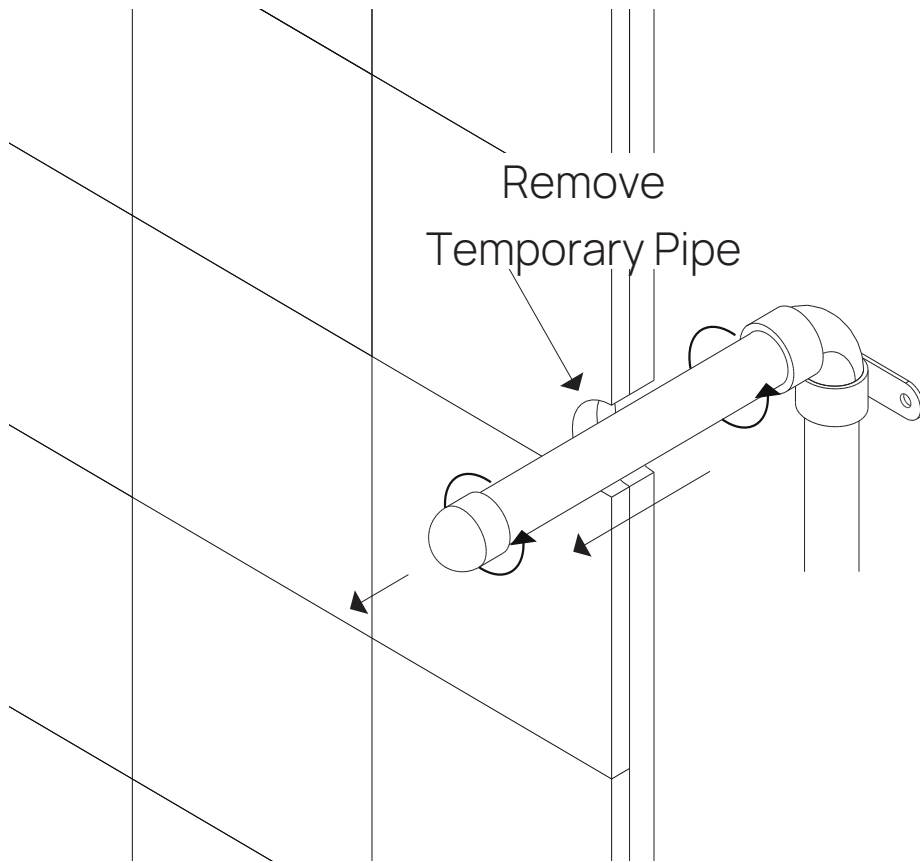
1

- Before tiling, install drop ear connections for your desired outlets and install a temporary pipe until tiling is complete.



2

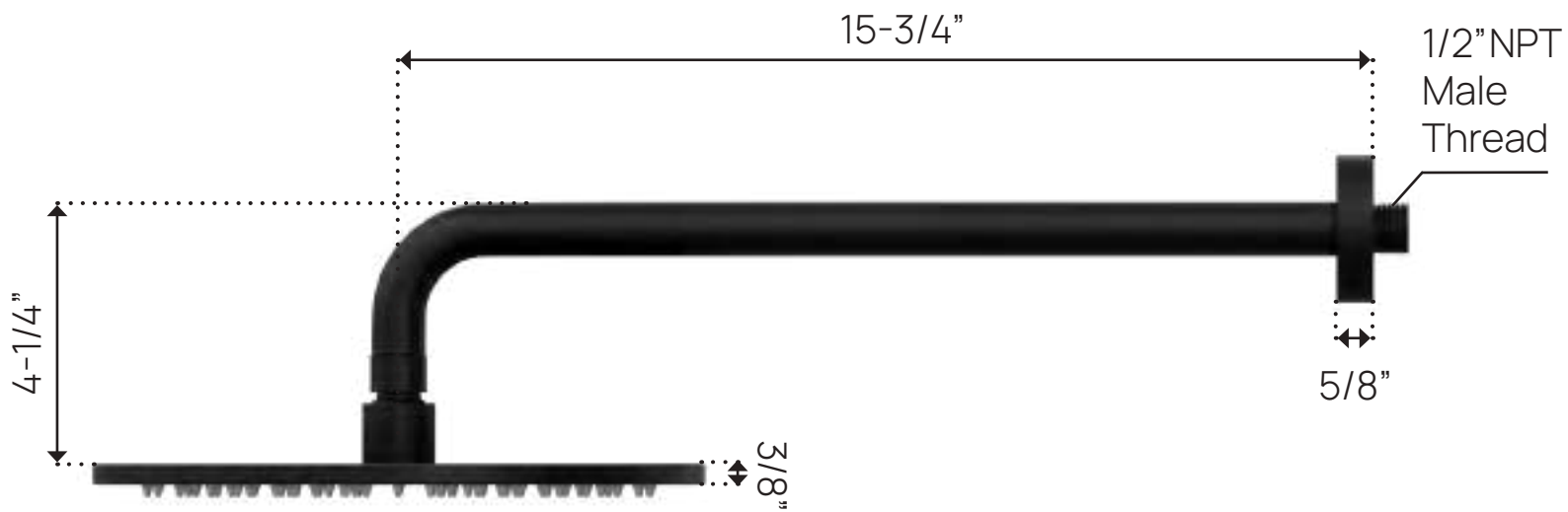
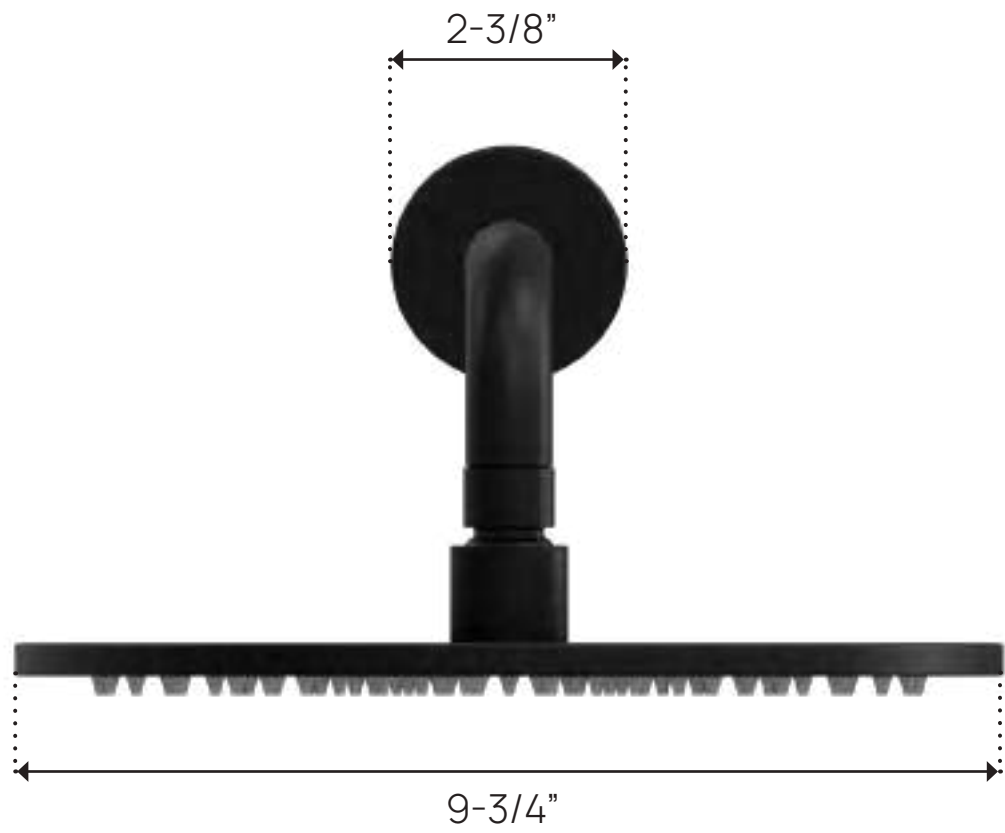
- Once tiling is complete, remove temporary pipe and prepare to install the trim items.



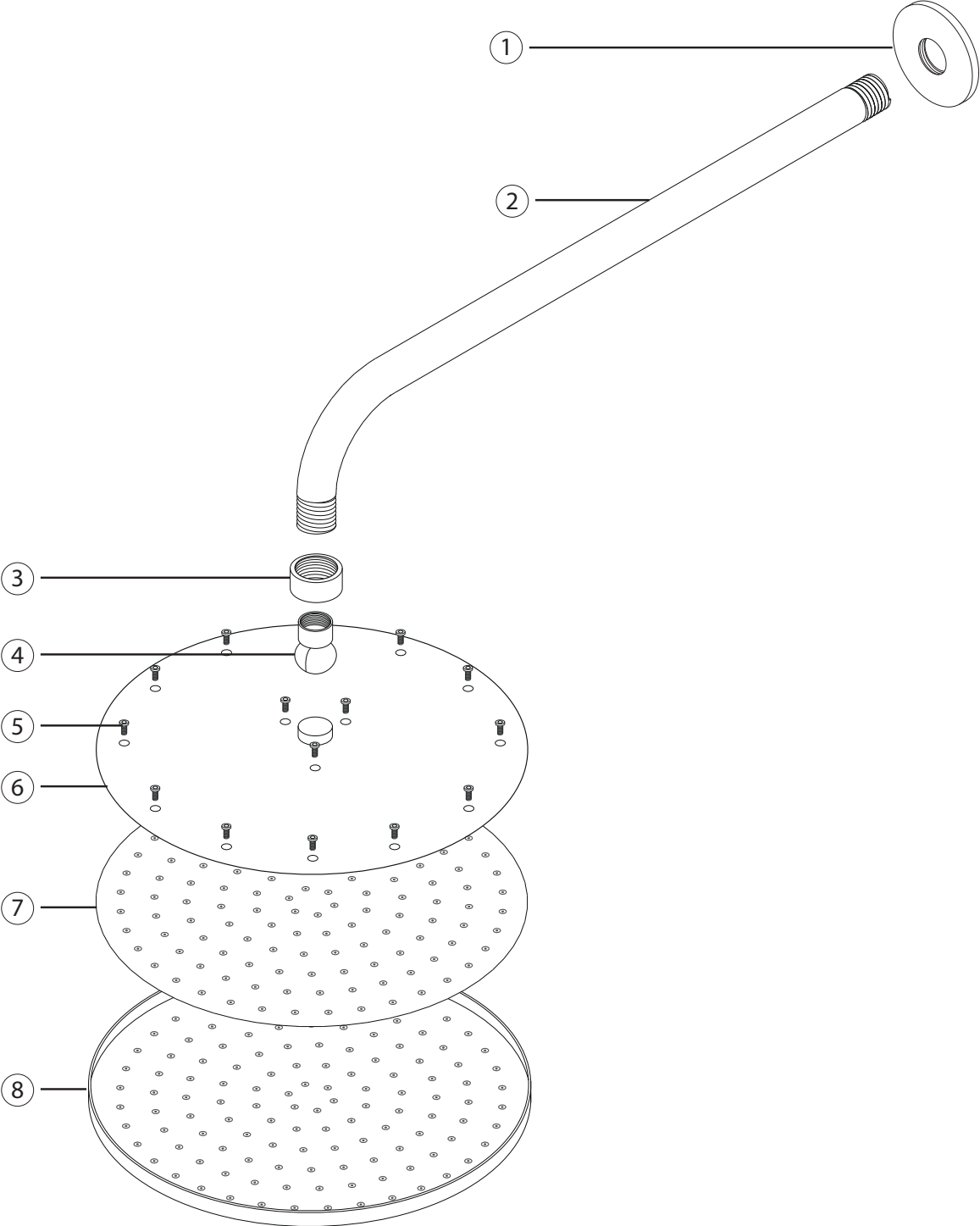
Firstly...

The Shower Head.





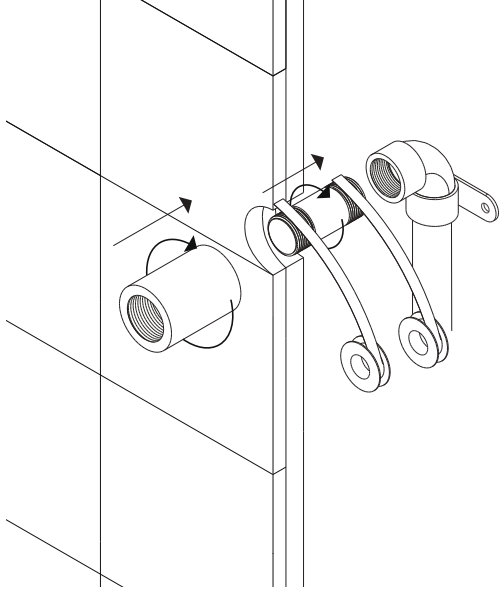
Here's what you have.



- ① Shower Arm Escutcheon
- ② Shower Arm
- ③ Swivel Arm Securing Nut
- ④ Swivel Arm
- ⑤ Shower Head Screws
- ⑥ Shower Head Top
- ⑦ Rubber Matrix
- ⑧ Shower Head Bottom

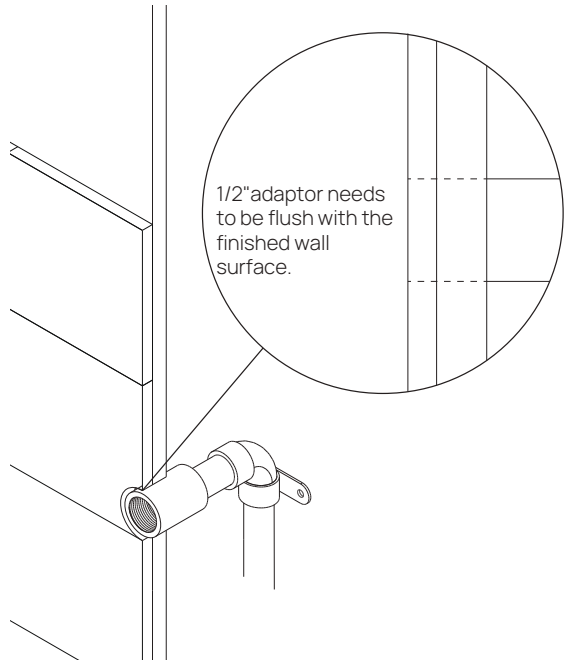
1

- Install a female adaptor onto a male nipple in the drop ear connection. The female adaptor needs to be flush with the finish wall surface. This will determine the length of the male nipple. Apply teflon tape and tighten.



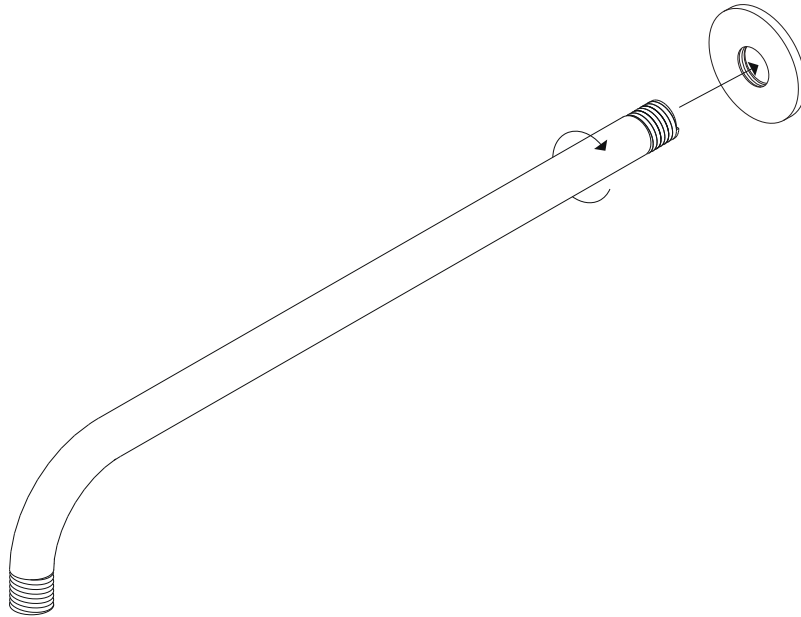
2

- Ensure the adaptor is flush with the finished wall surface.



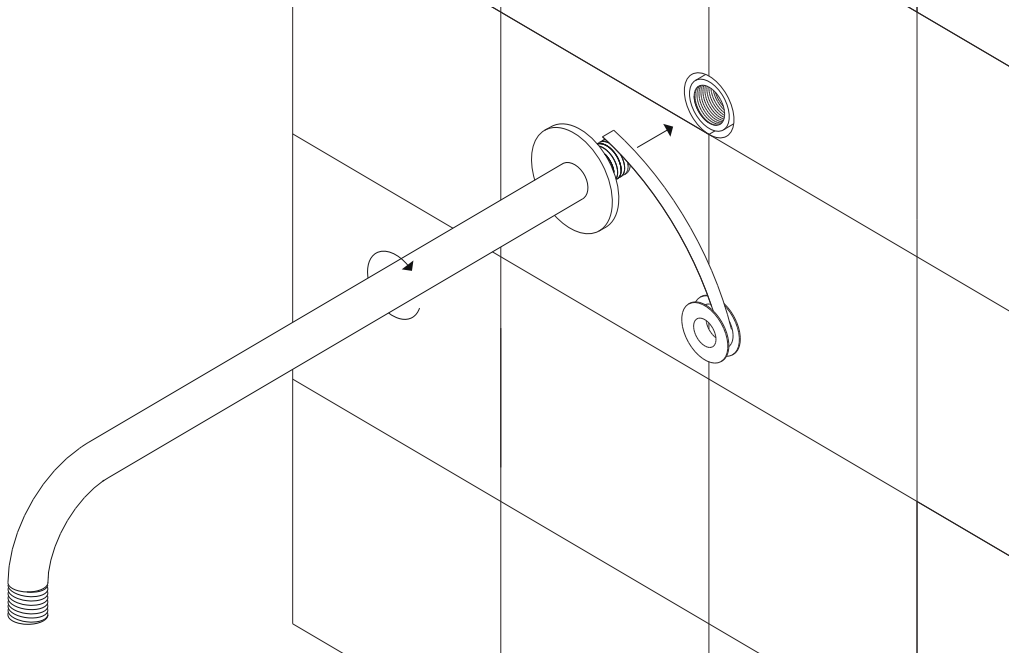
3

- Push the escutcheon onto the shower arm.



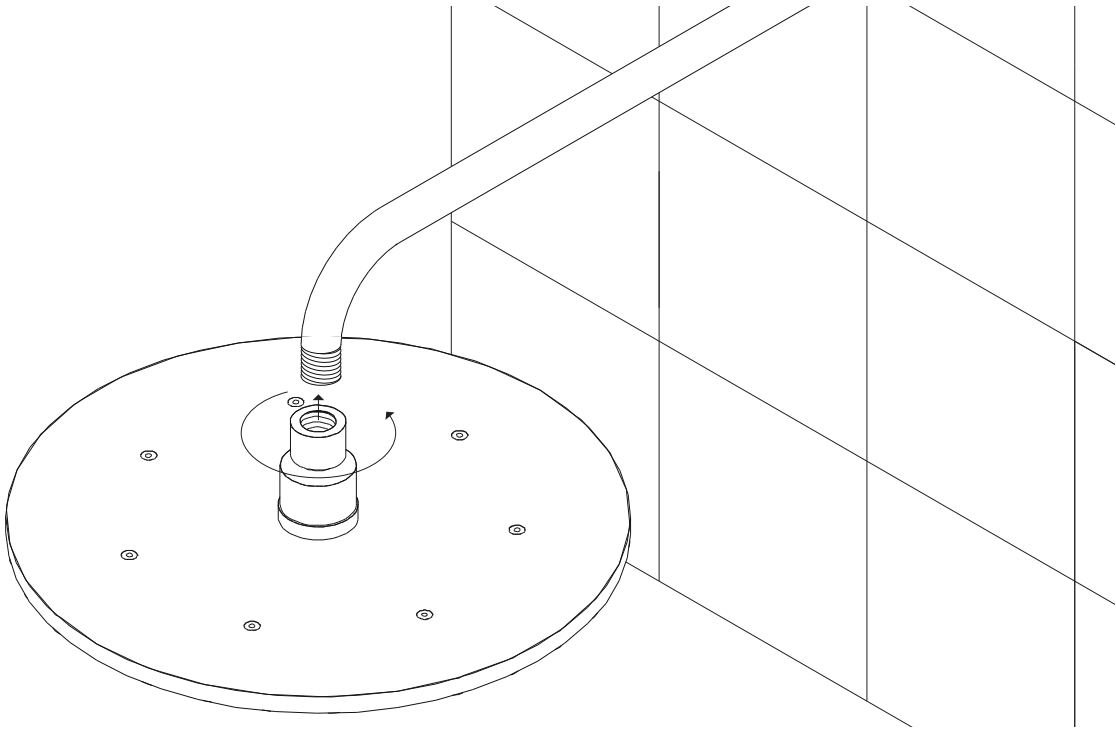
4

- Install the shower arm to the in wall connection. Apply teflon tape and tighten.



5

- Thread the shower head onto the shower arm.

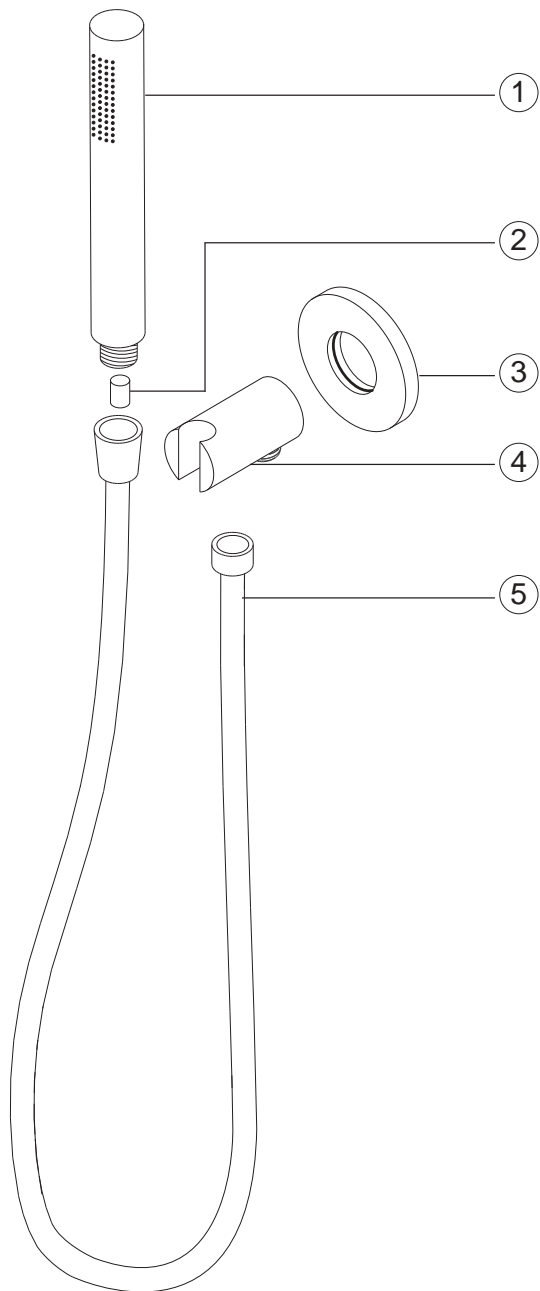


The Hand Shower.





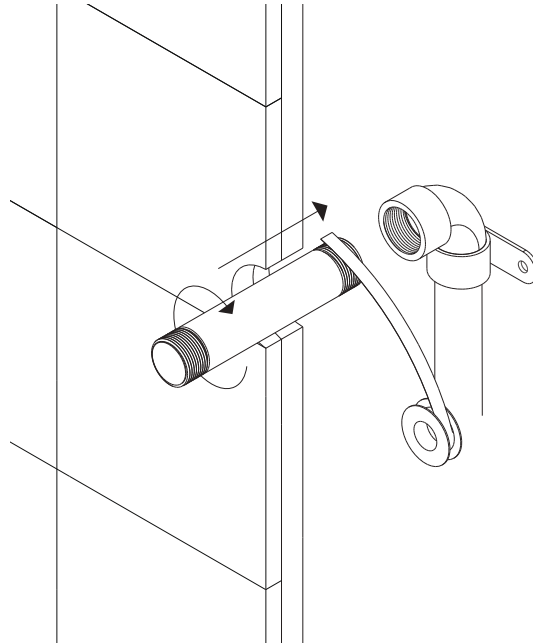
Here's what you have.



- ① Hand Shower
- ② Hand Shower Check Valve
- ③ Escutcheon
- ④ Hand Shower Outlet and Holder
- ⑤ Shower Hose

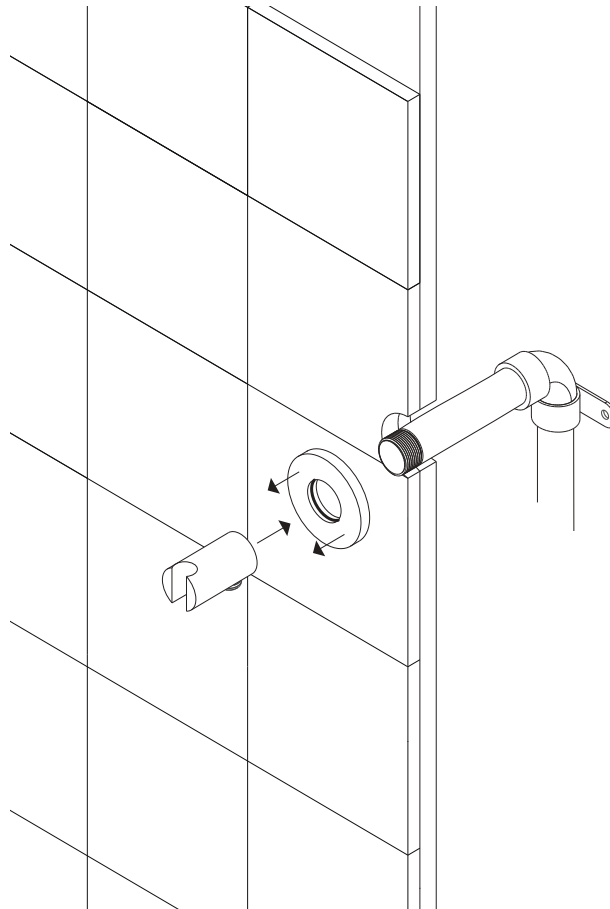
1

- Start by installing a male adaptor into the drop ear connection. Ensure there is enough thread protruding from the wall to make a good connection.



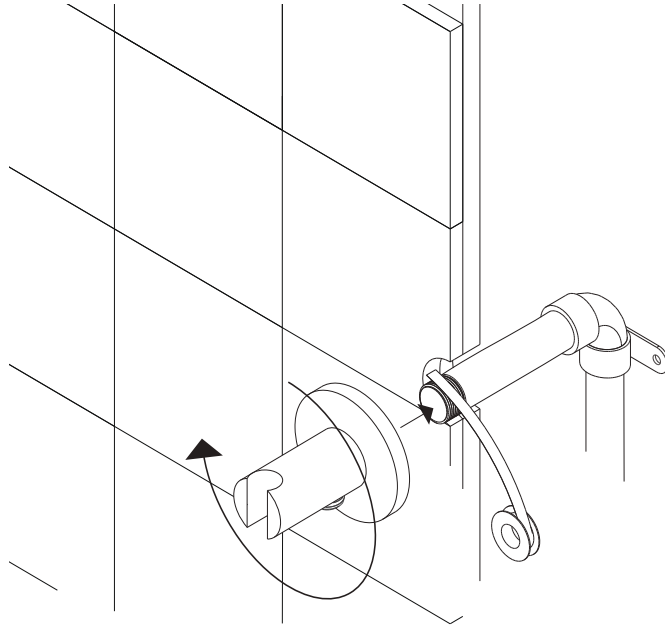
2

- Push the escutcheon onto the hand shower holder.



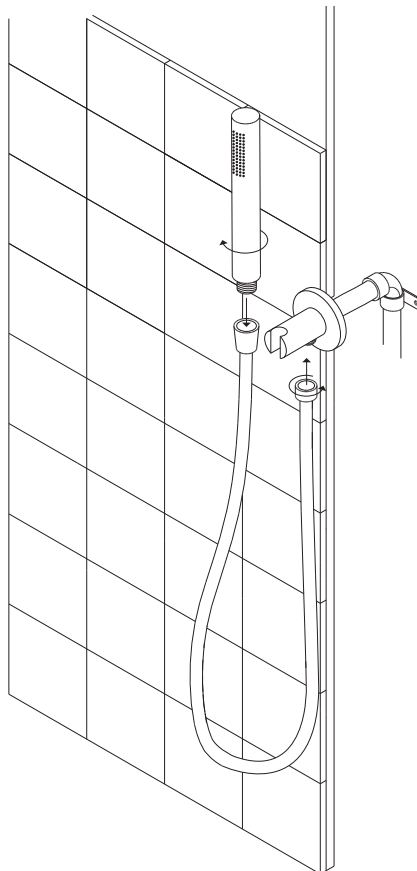
3

- Apply teflon tape and install the holder into the wall fitting.



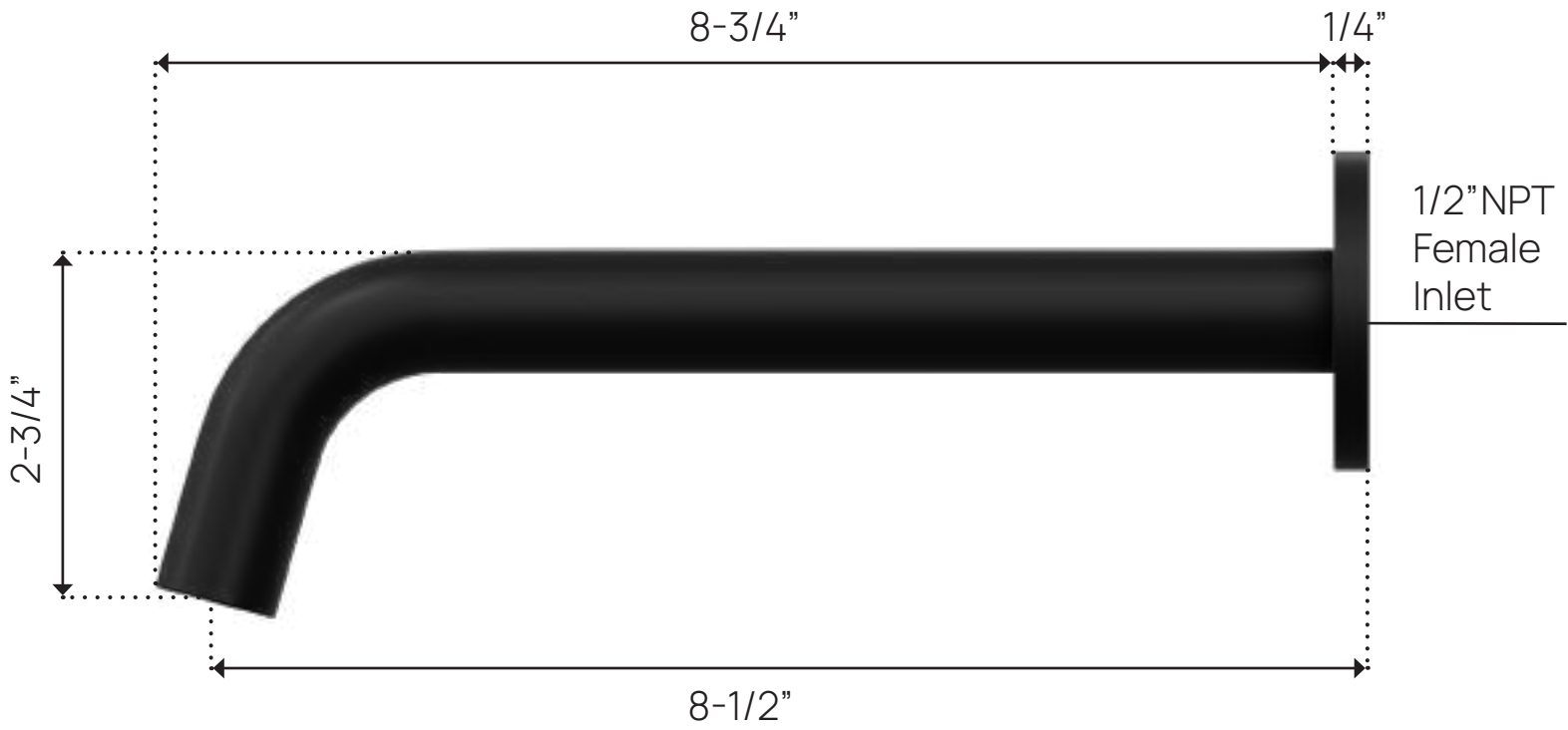
4

- Connect the hand shower holder to the hand shower with the shower hose, the cone end on the hand shower and the cylinder end on the holder. Place the hand shower into the holder.

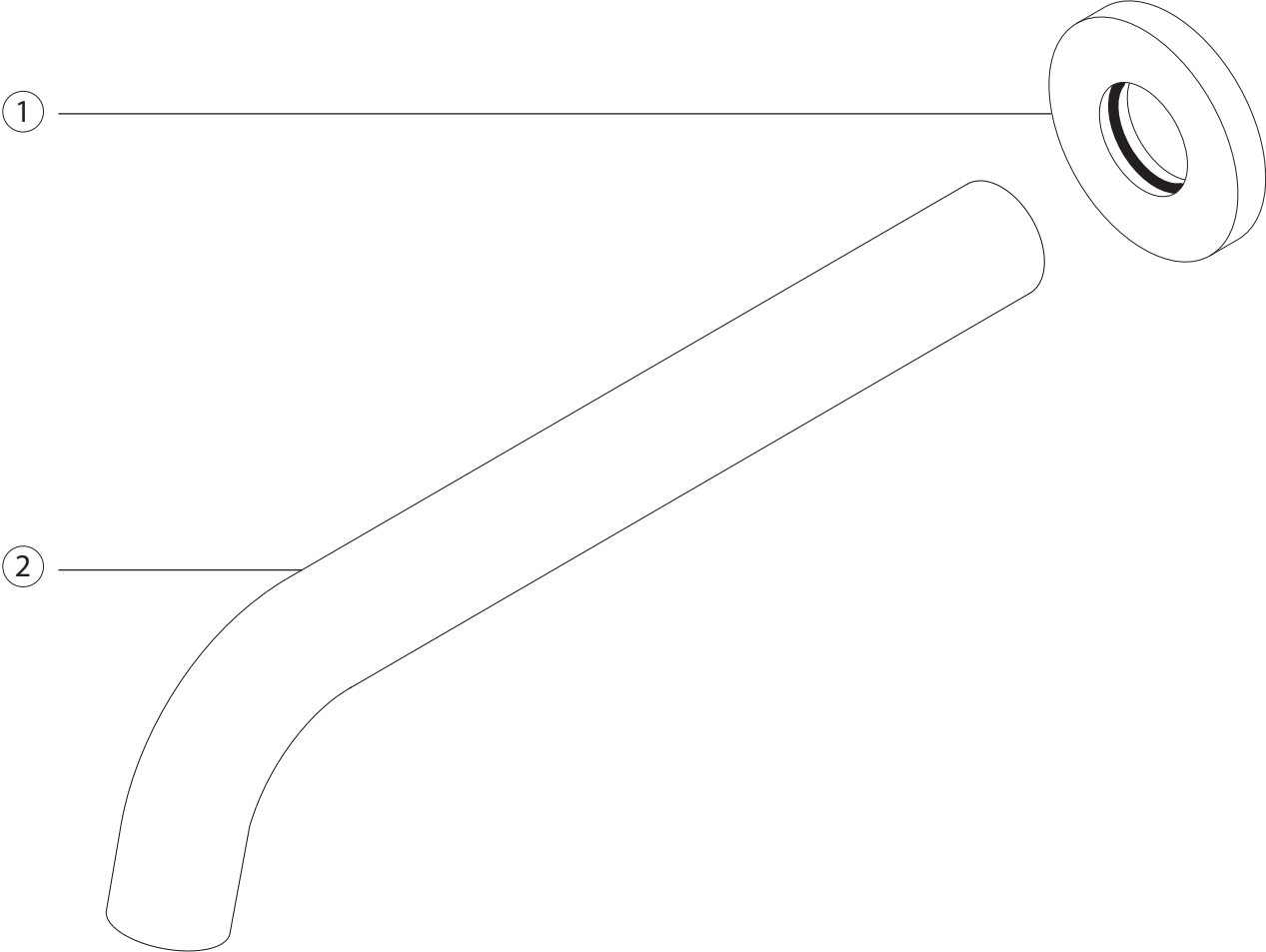


The Tub Filler.





Here's what you have.

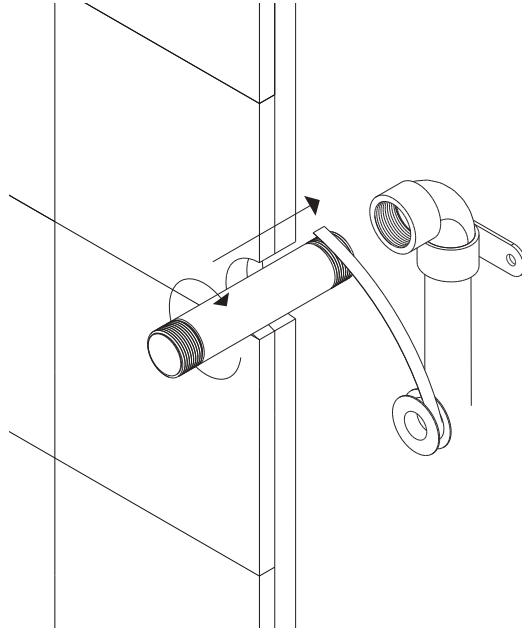


① Tub Spout Escutcheon

② Tub Spout

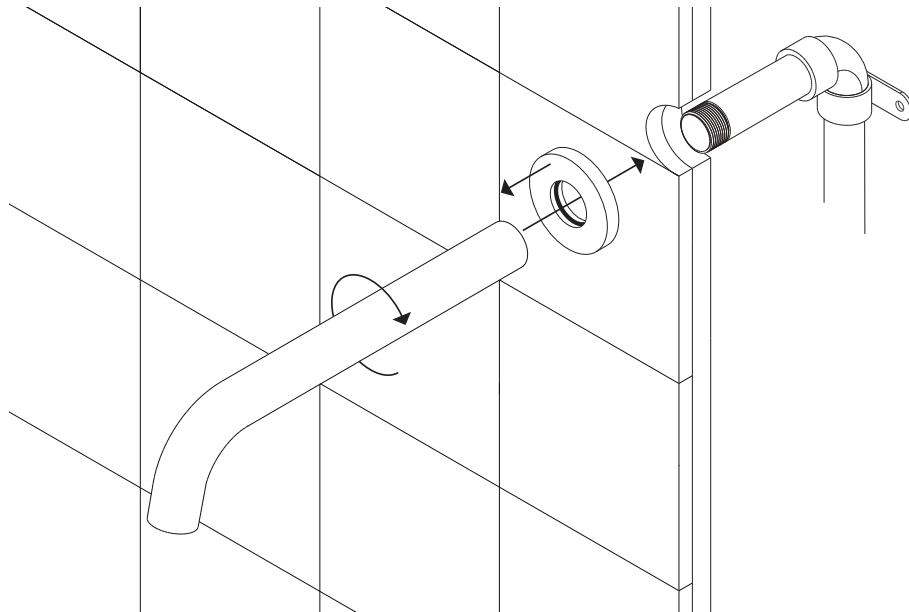
1

- Start by installing a male adaptor into the drop ear connection. Ensure there is enough thread protruding from the wall to make a good connection.



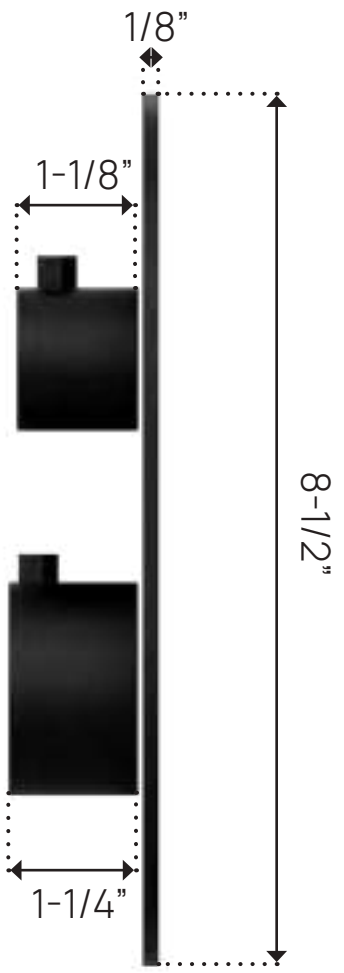
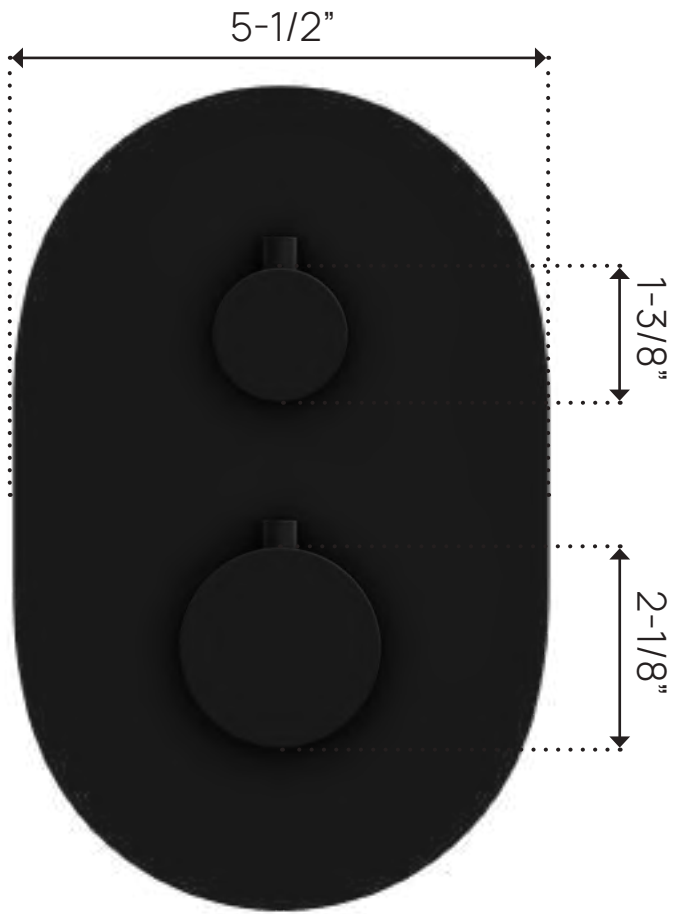
2

- Push the escutcheon onto the tub filler. Install and tighten.

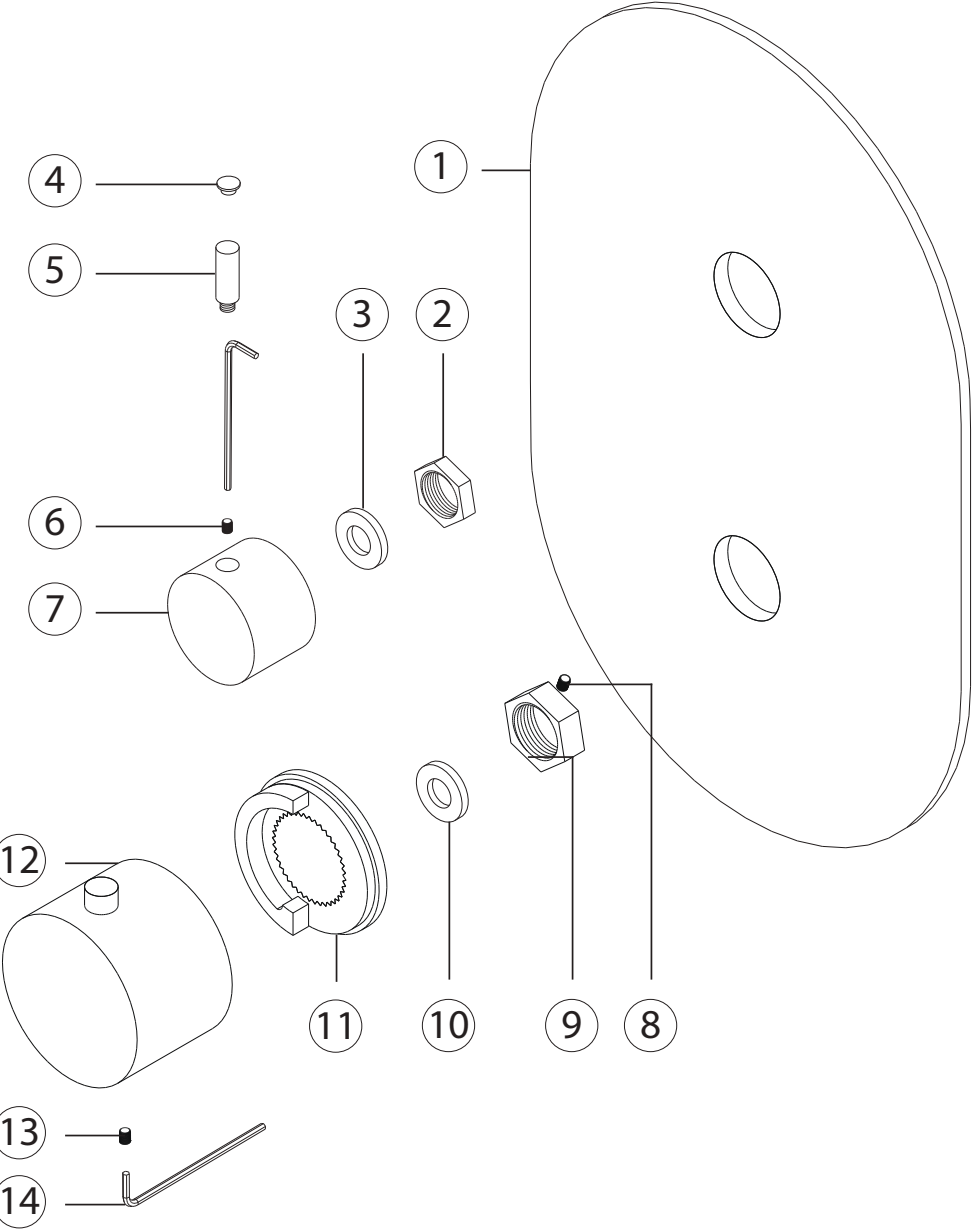


The Valve Trim.





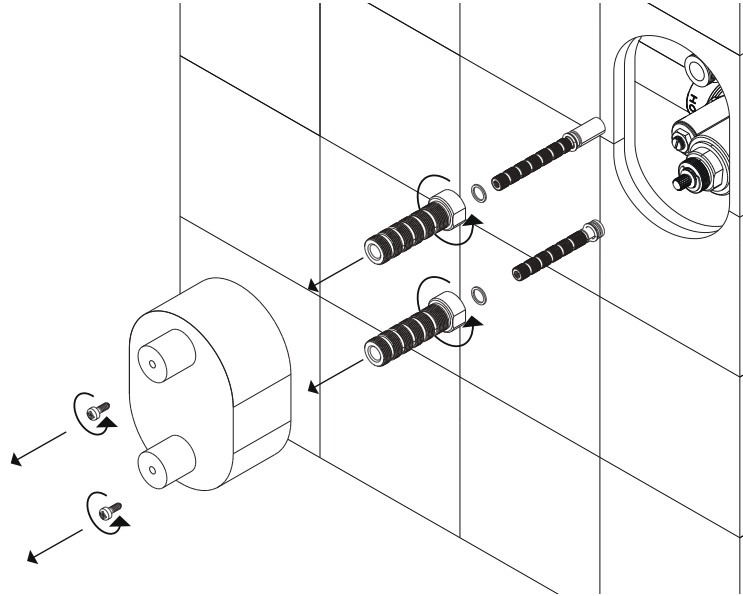
Here's what you have.



- ① Escutcheon
- ② Diverter Locking Nut
- ③ Nylon Washer
- ④ Set Screw Cover
- ⑤ Diverter Handle Lever
- ⑥ Diverter Handle Set Screw
- ⑦ Diverter Handle
- ⑧ Locking Nut Set Screw
- ⑨ Thermostat Locking Nut
- ⑩ Nylon Washer
- ⑪ Temperature Limiting Ring
- ⑫ Thermostat Handle
- ⑬ Thermostat Set Screw
- ⑭ Allen Wrench

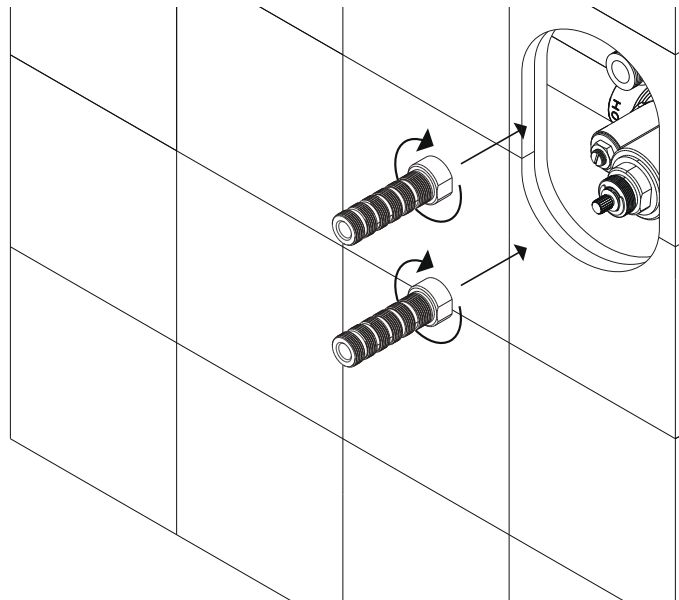
1

- Remove the plaster guard, outer spindles, and inner spindles.



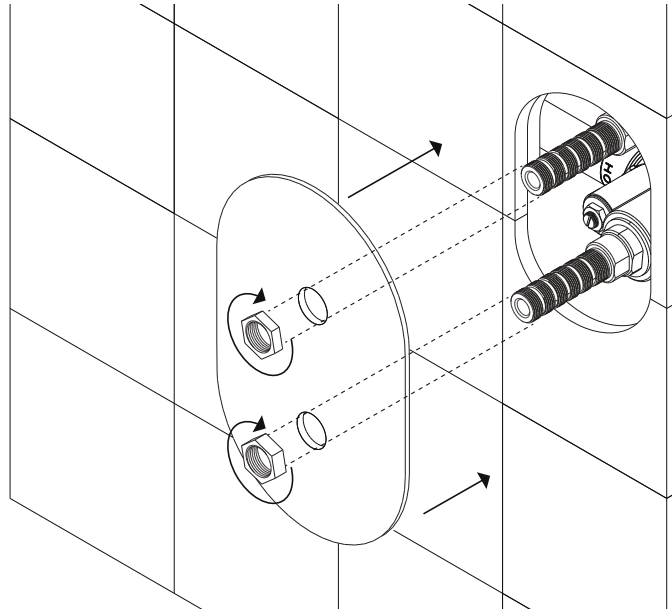
2

- Reinstall the outer spindles only.



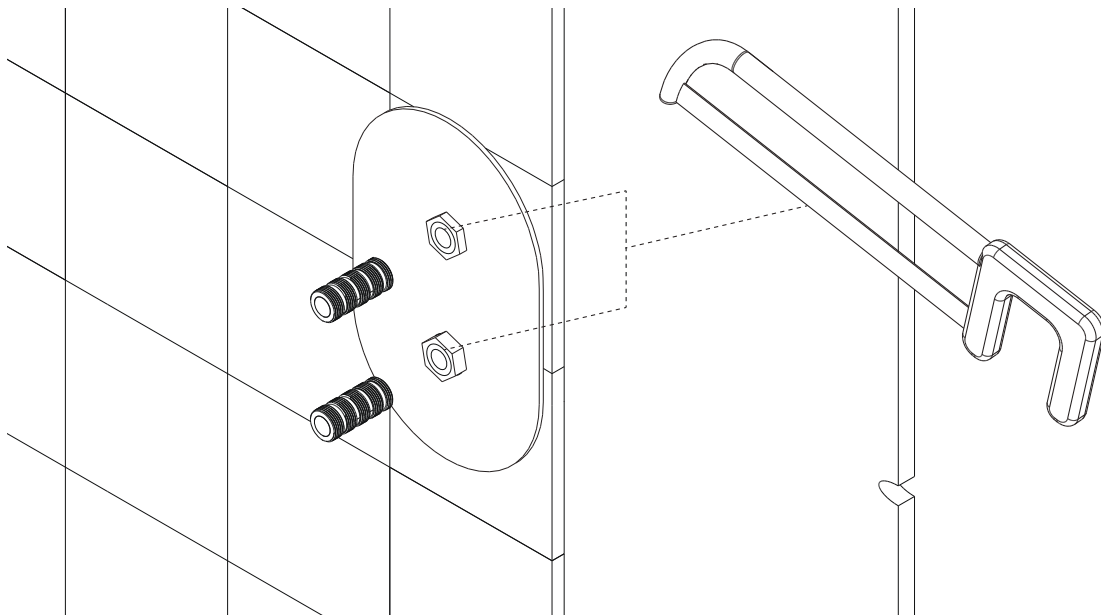
3

- Install the plate and securing nuts.



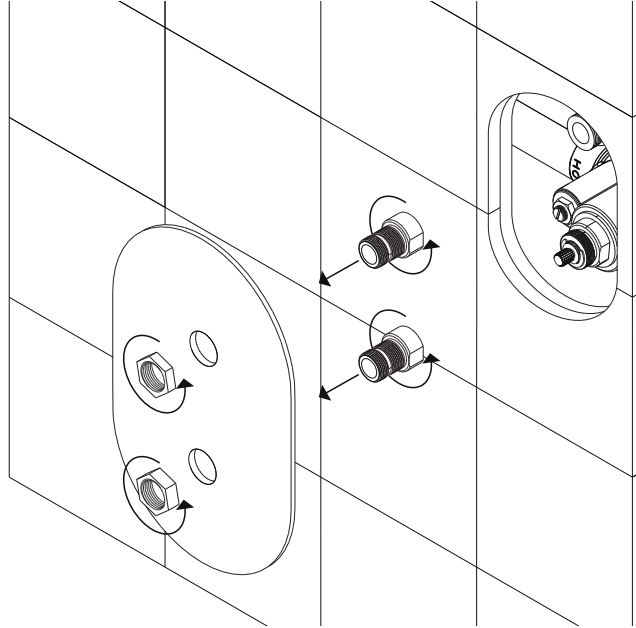
4

- Mark the outer spindles on the outside of the securing nuts. Cut the spindles and ensure they do not protrude past the front faces of the securing nuts.



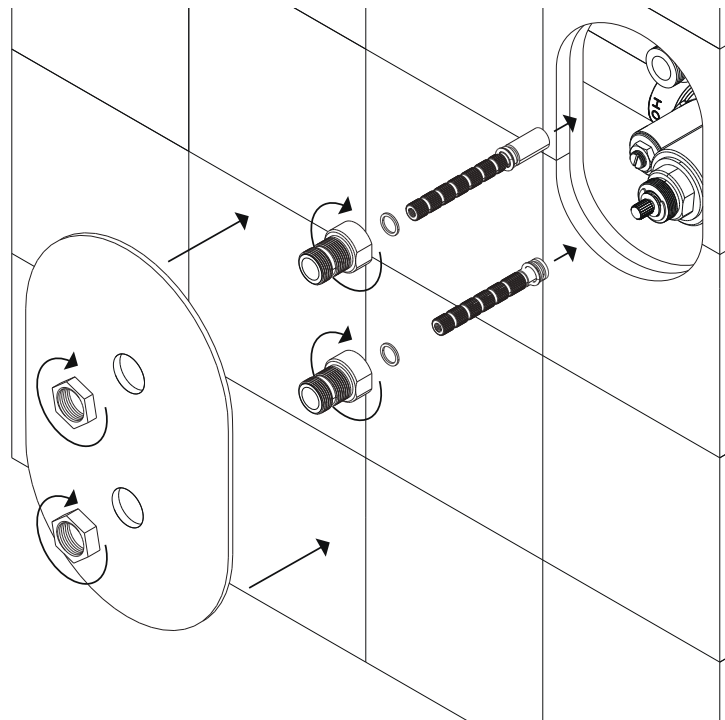
5

- Remove the securing nuts, plate, and outer spindles.



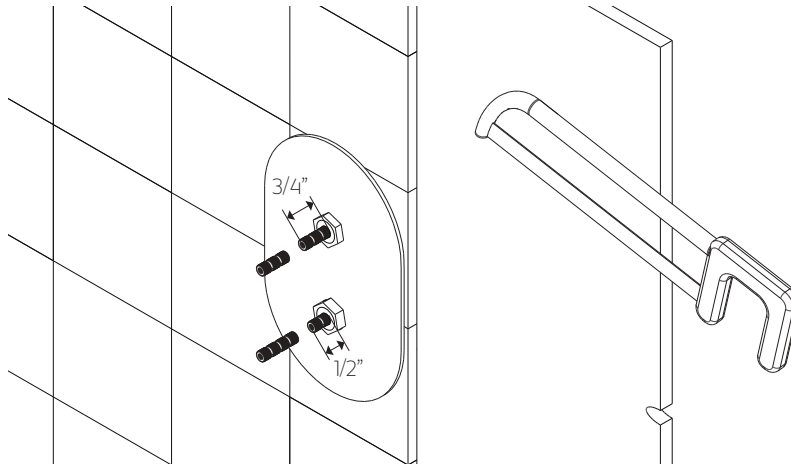
6

- Reinstall the inner spindles, outer spindles, plate, and securing nuts.



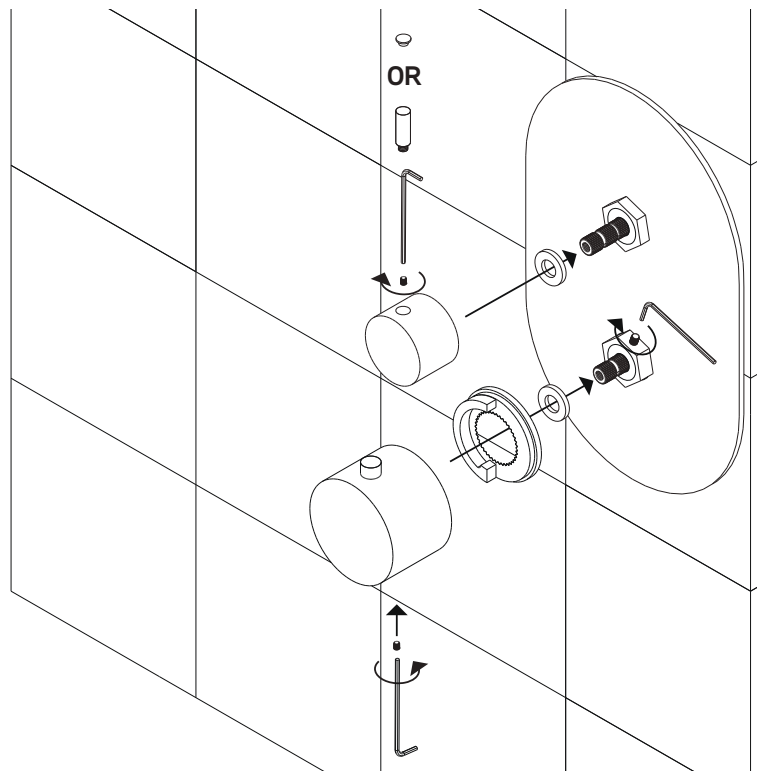
7

- Measure and mark $3/4$ " from the securing nut on the top spindle, and a $1/2$ " from the securing nut on the bottom spindle. Cut down inner spindles on the mark.



8

- Install handles onto the inner spindles. Tighten the set screw to secure.



That's it! Enjoy your new shower set.



Reach out to the team with any questions.

Text us at: 505.456.5240

Email us at: customerservice@borhn.com

Enjoy your shower set.