

Thanks for choosing Borhn!

This document contains the manual for *both* the tub filler rough-in valve and the tub filler trim.

We hope you enjoy your Borhn products, and as always - reach out with any questions, comments or critiques to:

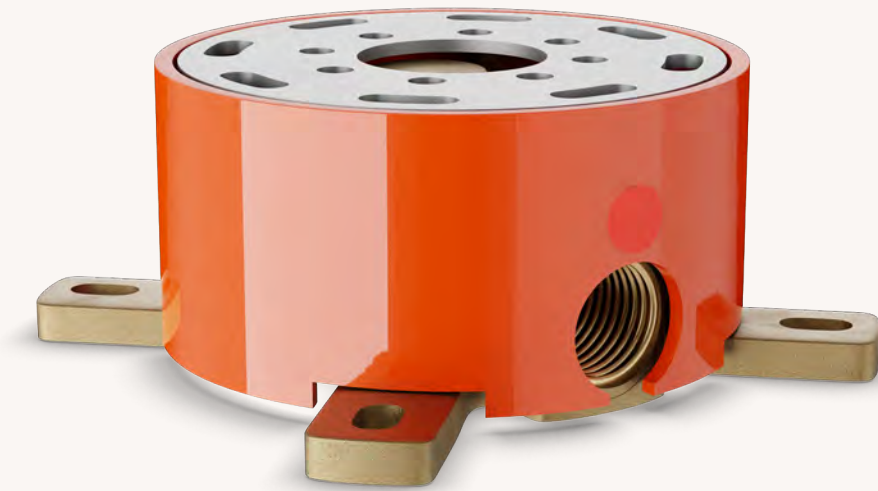
email: customerservice@borhn.com

text: 505.456.5240

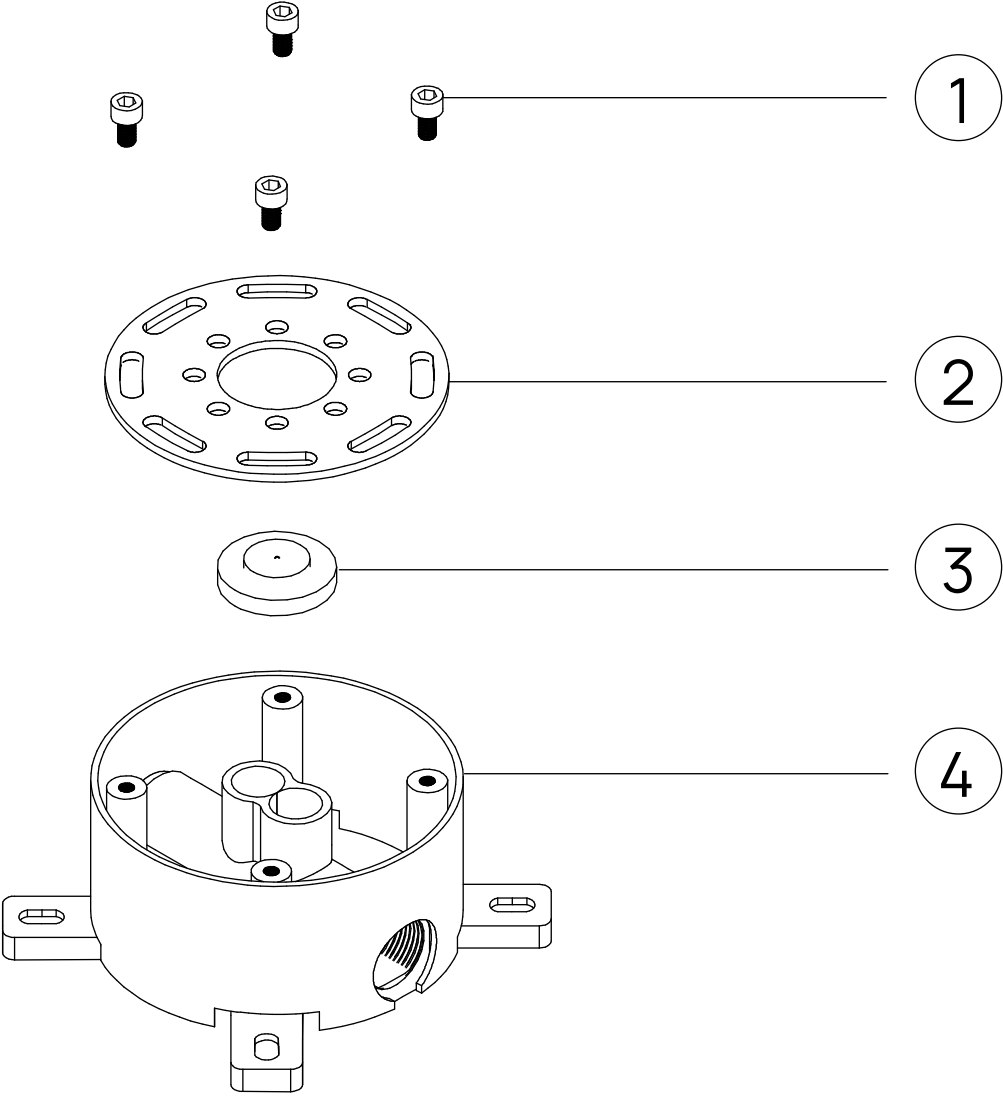
Firstly, the valve...

Borhn.

Floor Mount Tub Filler Valve



Here's what you have.



- ① Base Plate Securing Screws (4)
- ② Base Plate
- ③ Bubble Level
- ④ Valve Body

Product information.

Hot Water Supply Temperature:

- Maximum: 180°F
- Minimum: 50°F
- Recommended: 150°F - 160°F
- Minimum difference hot mixed temperate: 50°F

Operating Pressure:

- Maximum: 125 psi
- Minimum: 20 psi
- Recommended: 30 psi - 95 psi
- Operating pressures (on hot and cold lines) should be kept as balanced as possible, in order to assure the maximum efficiency.

Mixed Water Temperature:

- Maximum: 120°F

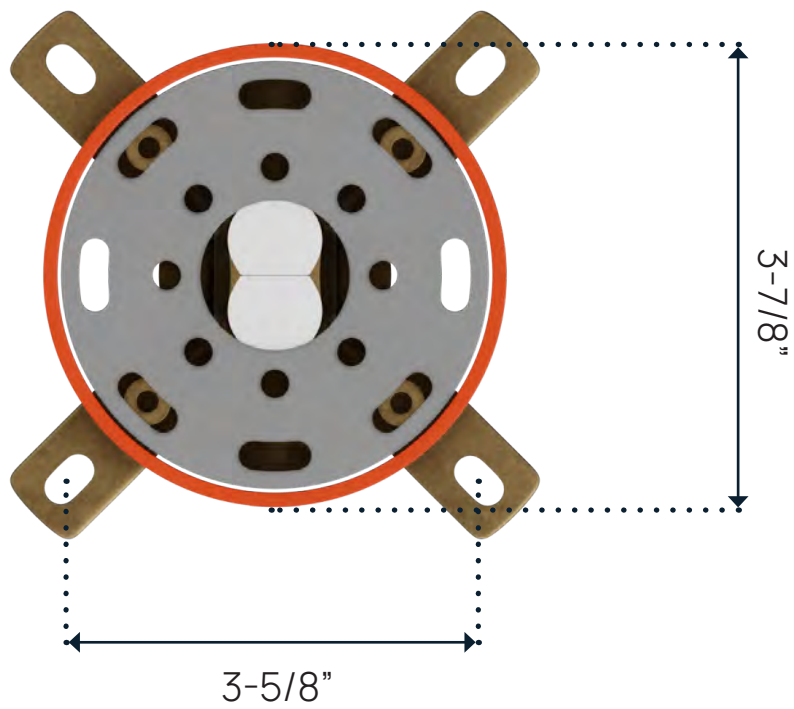
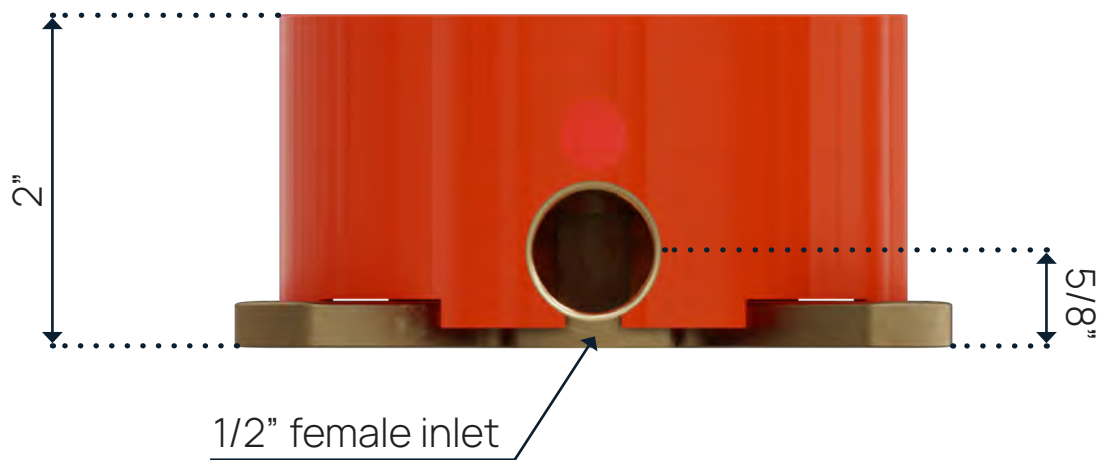
Standards:

ASSE 1016.ASME A112.18.1/CSA B123.1

Approvals:

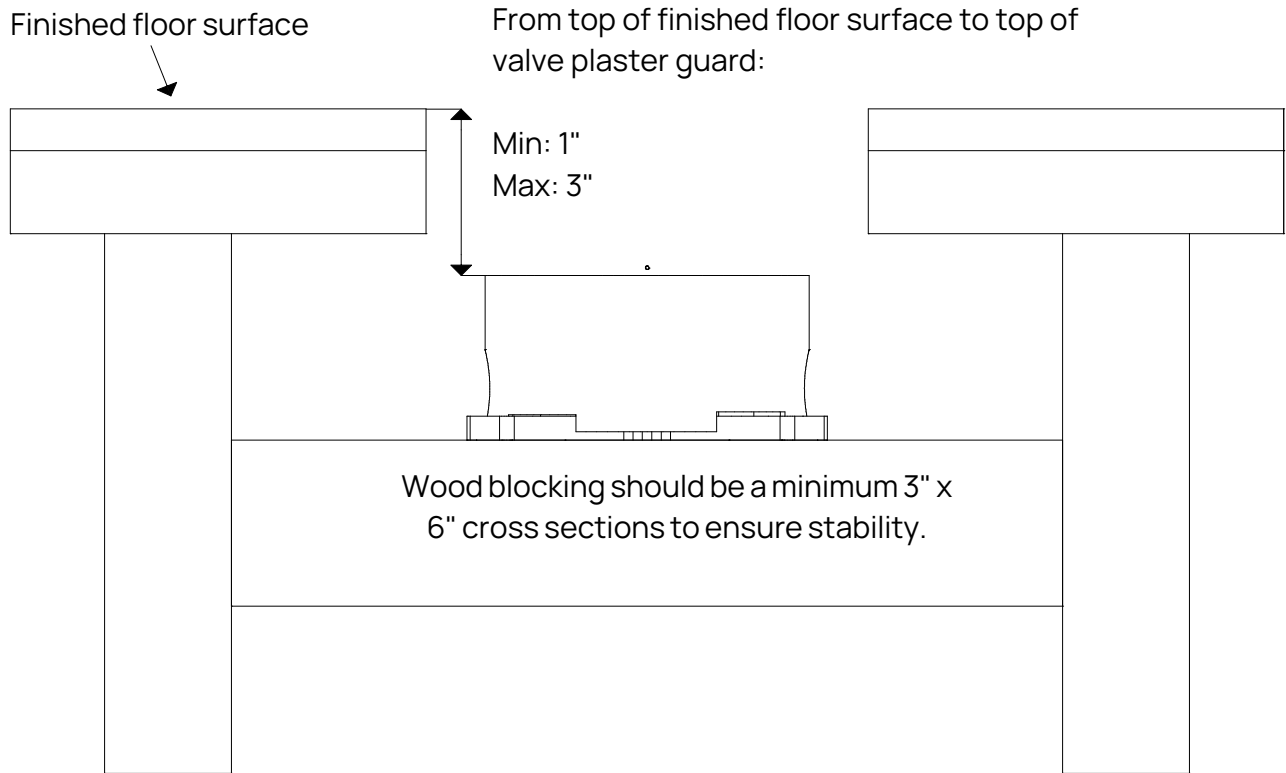


Product specs.



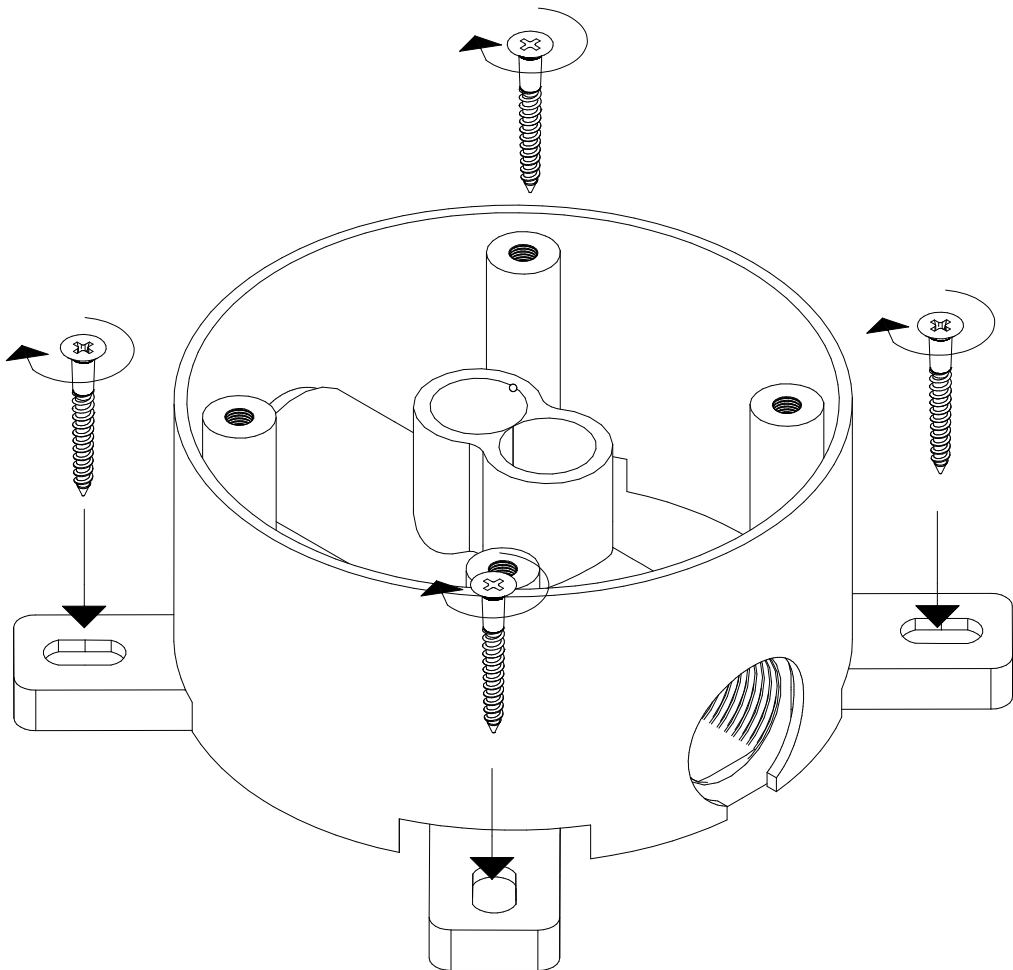
1

- Before installing, refer to the diagram and ensure the valve meets the min/max requirements. Adjust as needed.



2

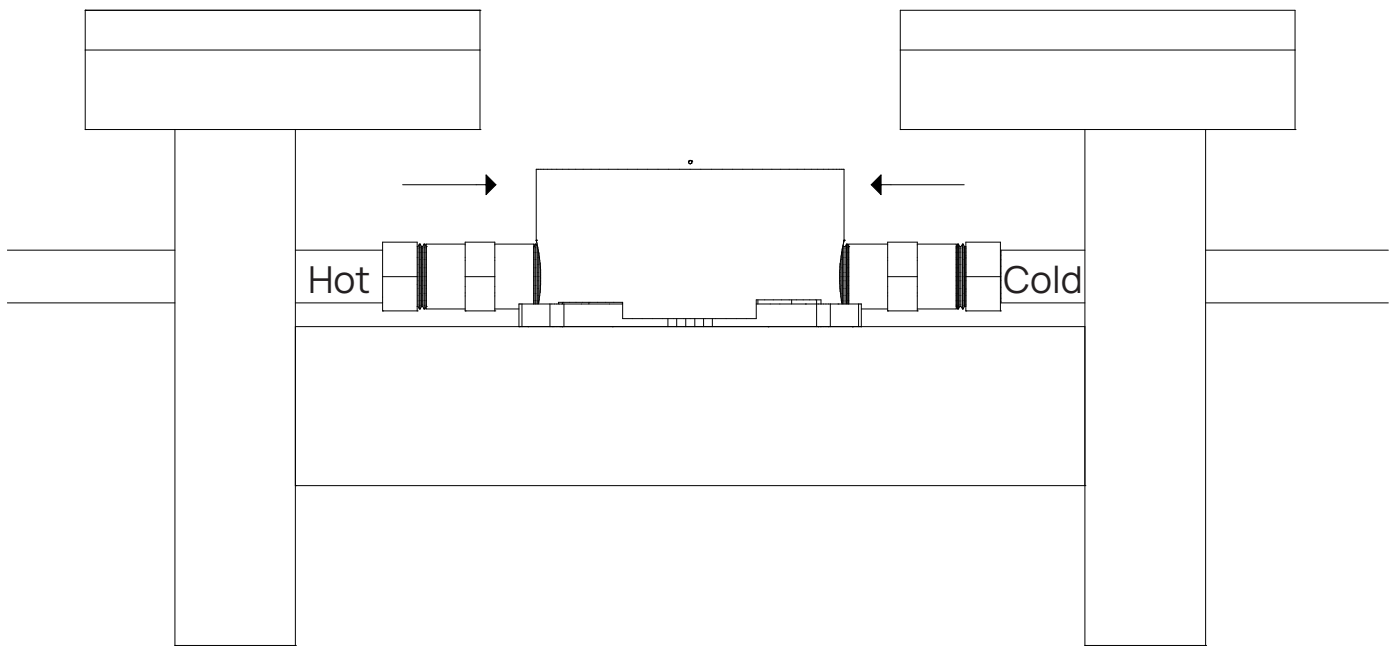
- Ensure the valve is completely level. Secure to the sub-floor.



3

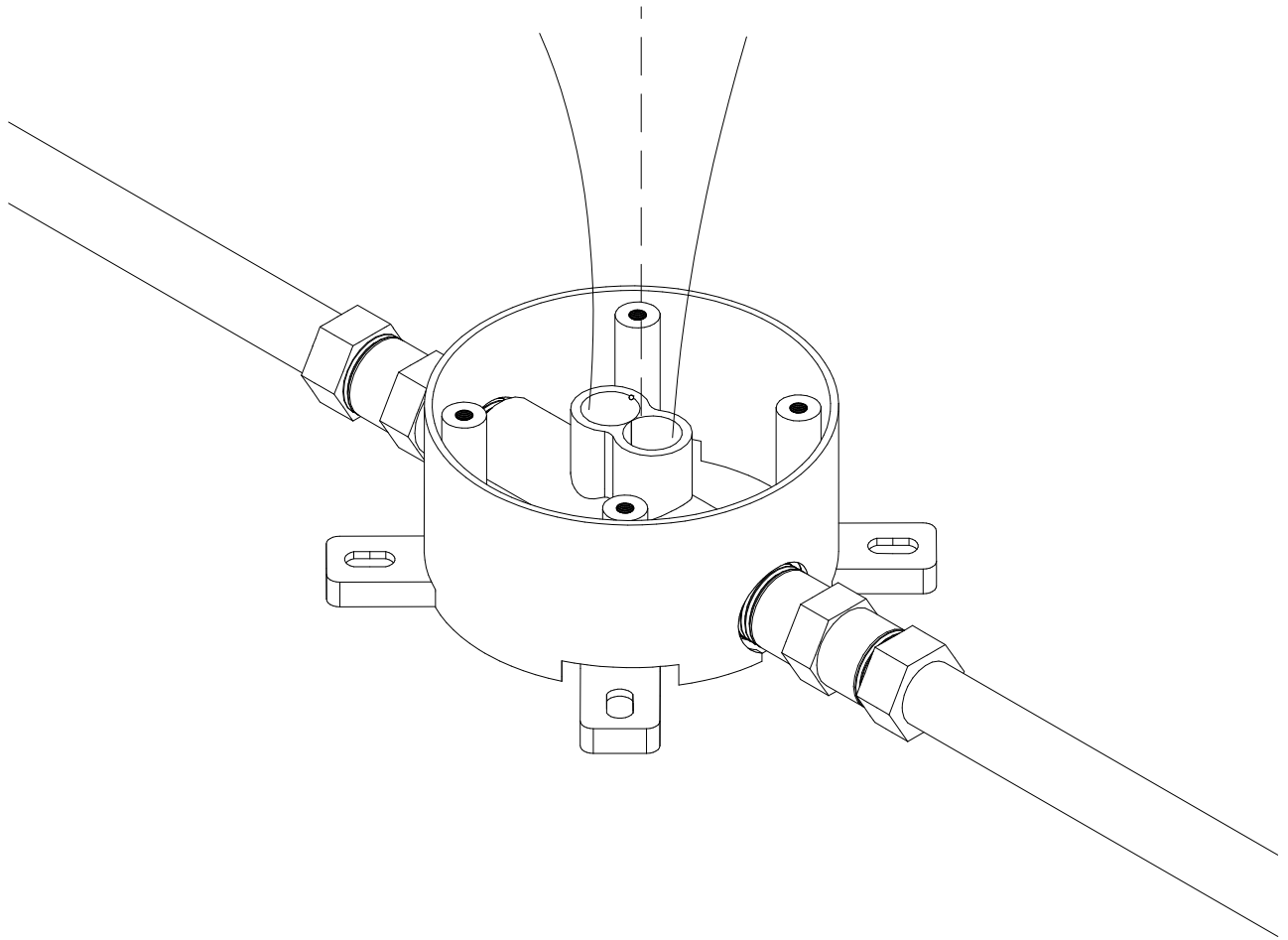
- Connect the hot and cold supply lines to the corresponding hot and cold inlets.

- 1/2" male-to-male extensions are provided for easier install if necessary.



4

- Remove the base plate using the provided 4 mm allen wrench.
- Flush to clear debris and check connections for water tightness.



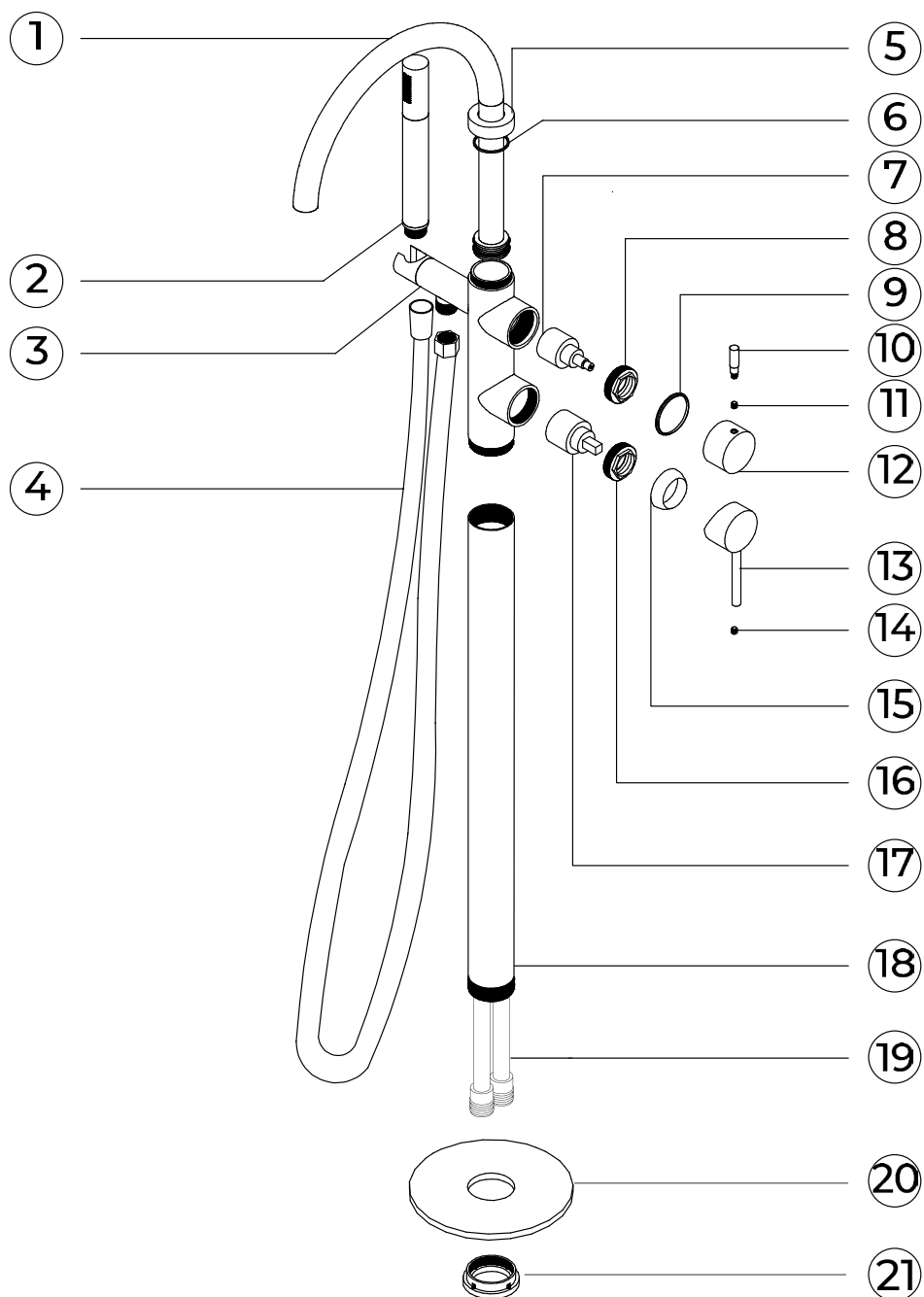
Meridian

Floor Mount Tub Filler



Borhn.

Here's what you have.



- ① Tub Filler Spout
- ② Handshower
- ③ Tub Filler Body (Upper)
- ④ Hand shower Hose
- ⑤ Tub Spout Securing Nut
- ⑥ Tub Spout Plastic Washer
- ⑦ Diverter Cartridge
- ⑧ Diverter Cartridge Securing Nut
- ⑨ Diverter Handle Plastic Spacer
- ⑩ Diverter Handle Lever
- ⑪ Diverter Handle Set Screw
- ⑫ Diverter Handle
- ⑬ Control Handle
- ⑭ Control Handle Set Screw
- ⑮ Control Handle Dress Ring
- ⑯ Control Cartridge Securing Nut
- ⑰ Control Cartridge
- ⑱ Tub Filler Body (Lower)
- ⑲ Supply Hose (2)
- ⑳ Tub Filler Escutcheon
- ㉑ Tub Filler Mounting Base

Product information.

Operating Temperature:

- Maximum: 176°F

Operating Flow Rate:

- Tub Filler: 6.0 USGPM
- Hand Shower: 1.8 USGPM

Operating Pressure:

- Minimum: 15 psi
- Maximum: 75 psi
- Above 90 psi it may be necessary to install a pressure reducer.

Approvals:



Features:

- Integrated Hand Shower
- Integrated Controls

Available In:

Polished
Chrome



Satin
Nickel

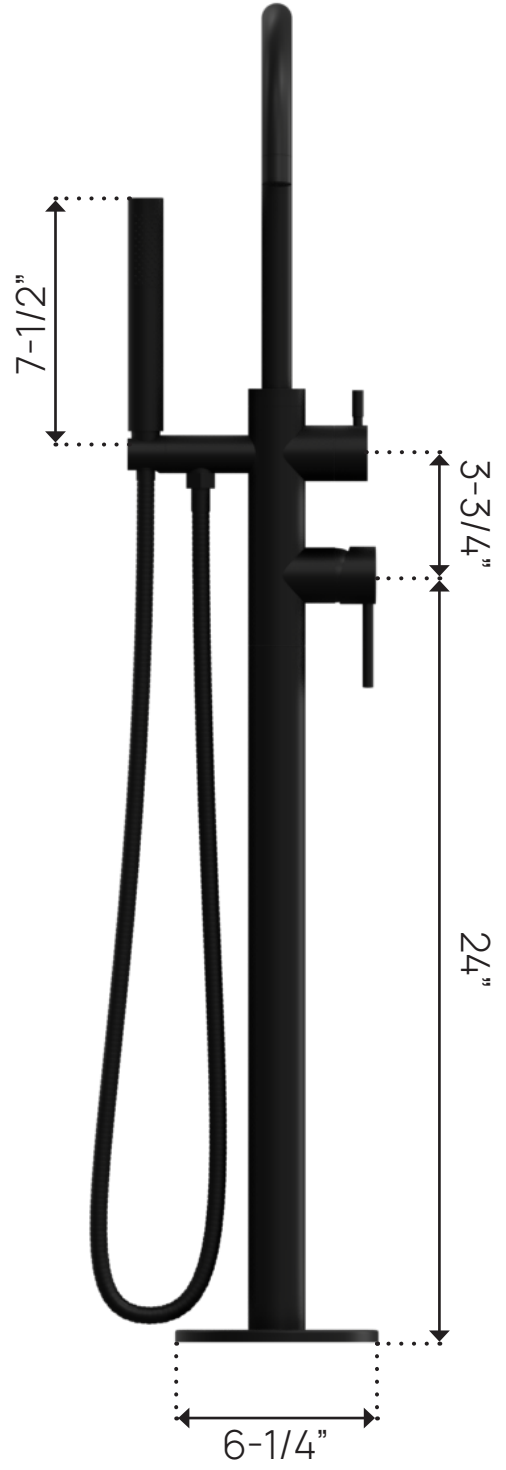
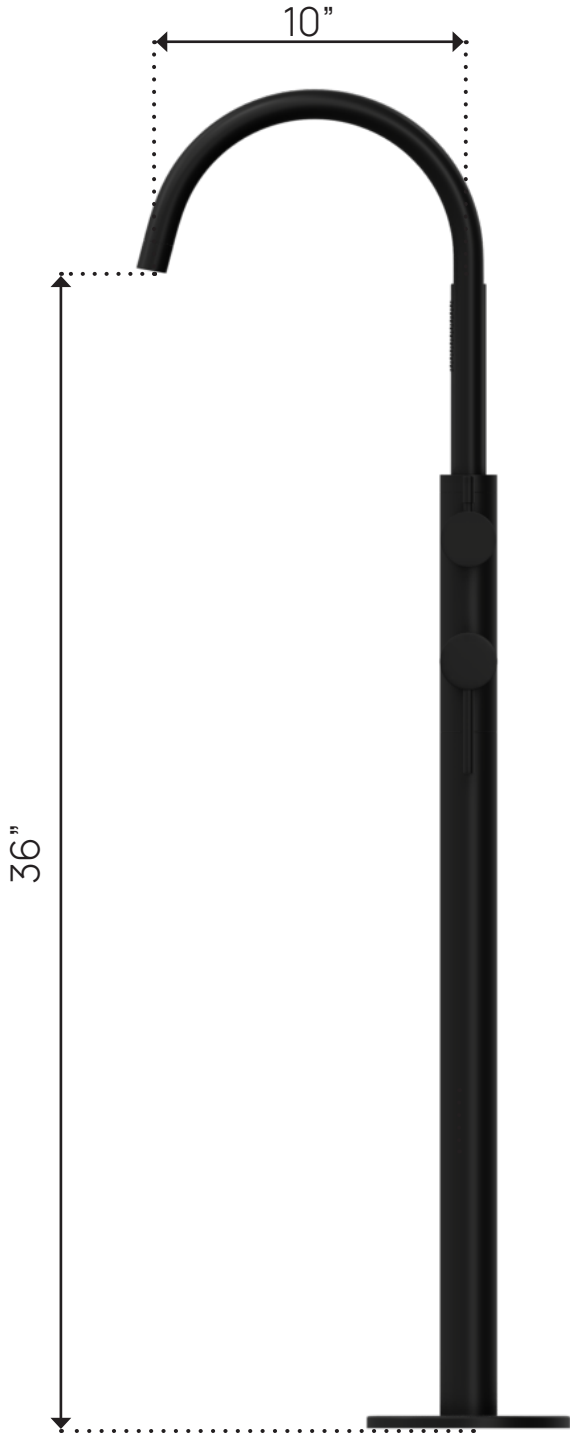


Matte
Black



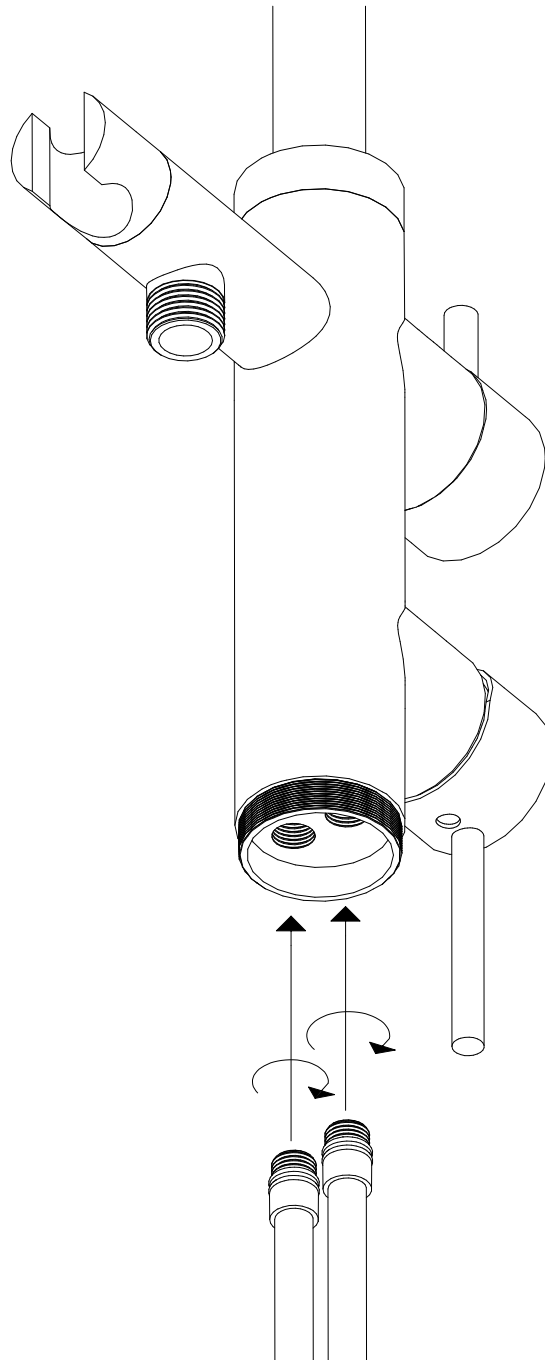
Satin
Brass





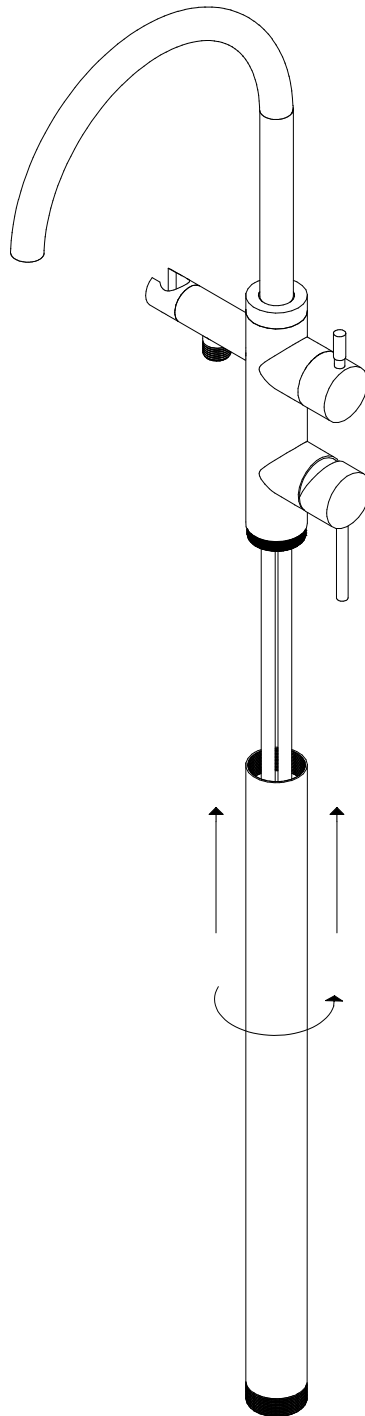
1

- Hand tighten the supply hoses into the spout assembly.



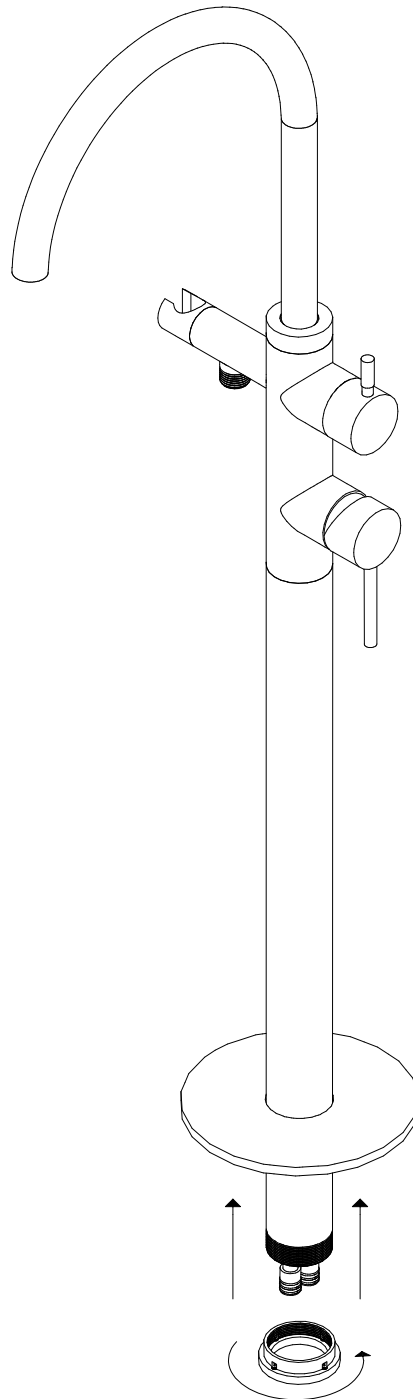
2

- Install and tighten the lower body assembly.



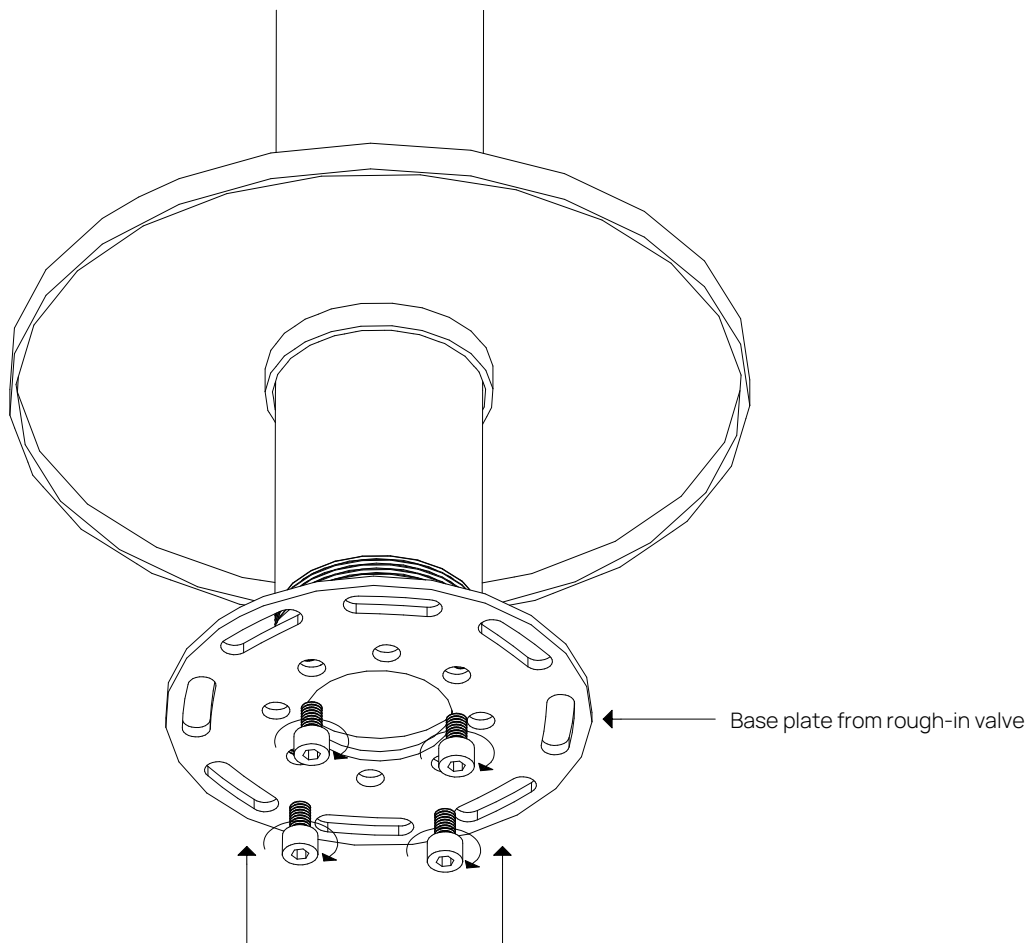
3

- Push the escutcheon onto the body and tighten the mounting base.



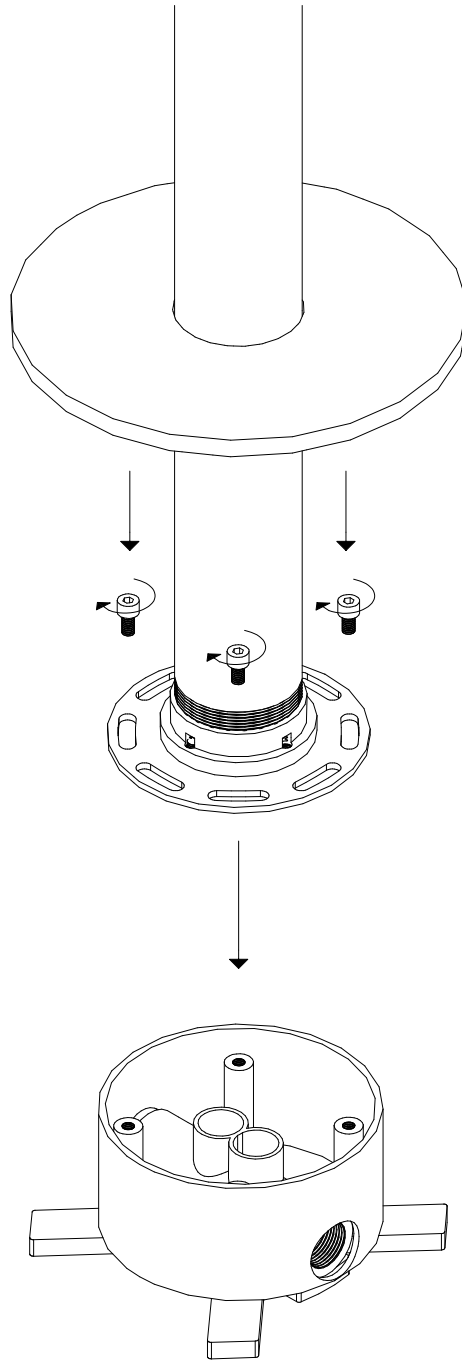
4

- Using the screws and base plate from the rough-in valve, install and tighten onto the mounting base.



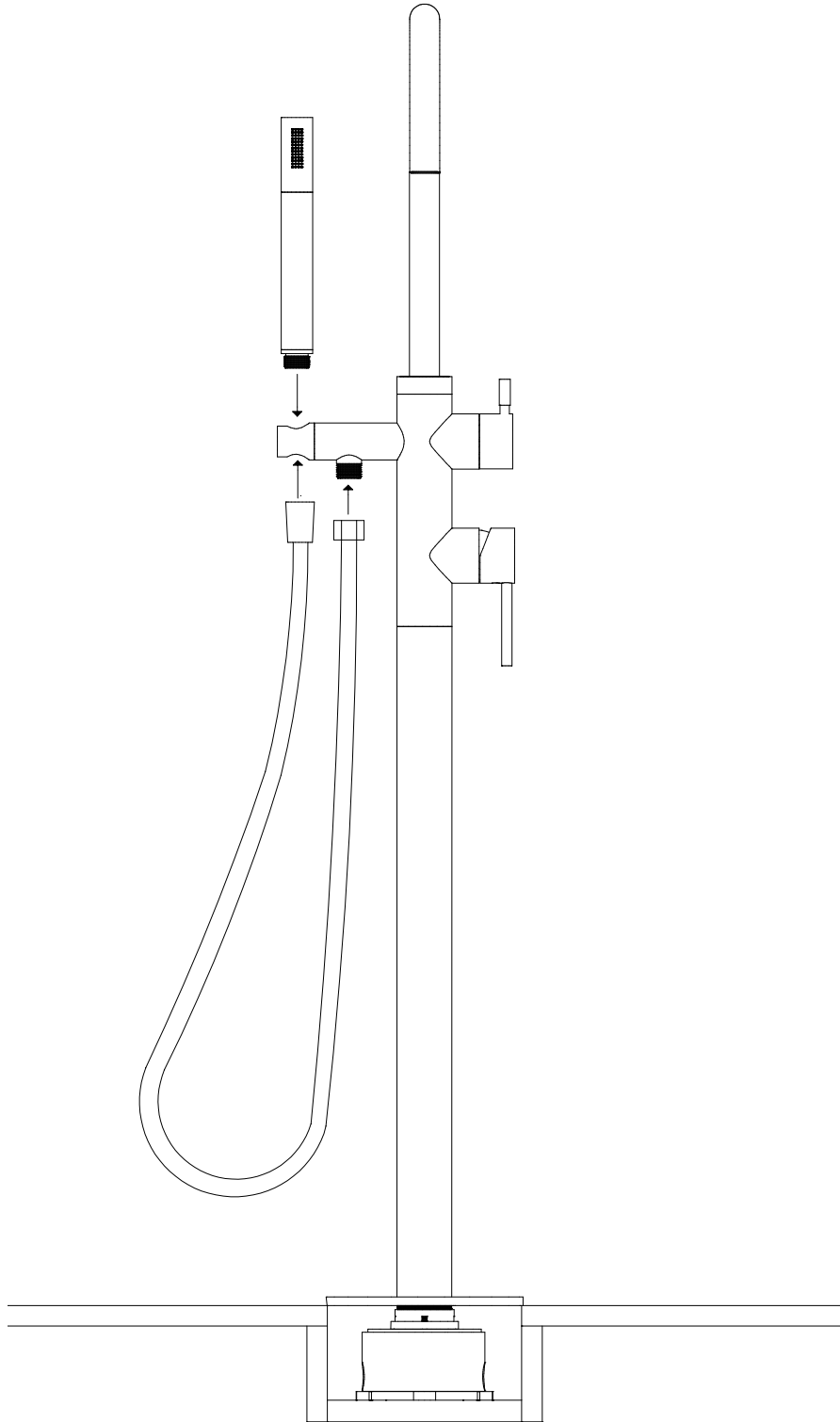
5

- Install the tub filler assembly onto the rough in valve.
- Secure the base plate to the valve using the provided screws.



6

- Install the handshower.



That's it! Enjoy your new tub filler. 🧐

Reach out to the team with any questions.

Text us on 505.456.5240

Email us at customerservice@borhn.com

Enjoy your tub filler!