

# Thanks for choosing Borhn!

This document contains the manual for *both* the shower rough-in valve and the shower trim.

We hope you enjoy your Borhn products, and as always - reach out with any questions, comments or critiques to:

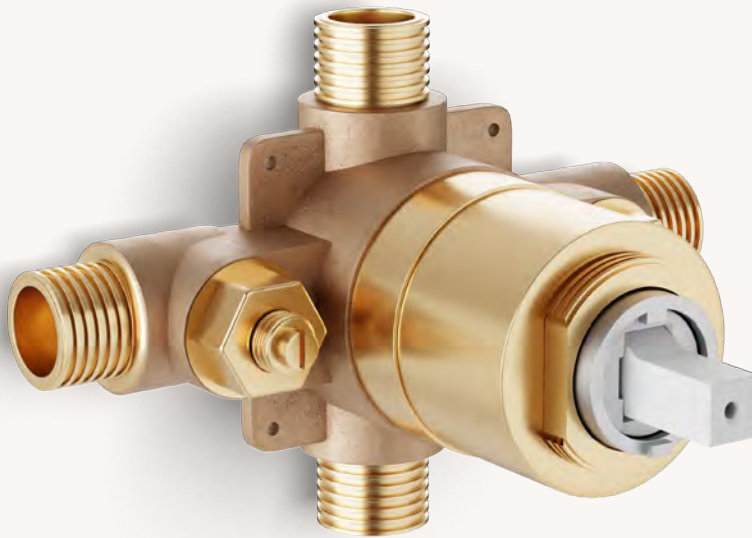
email: [customerservice@borhn.com](mailto:customerservice@borhn.com)

text: 505.456.5240

Firstly, the valve...

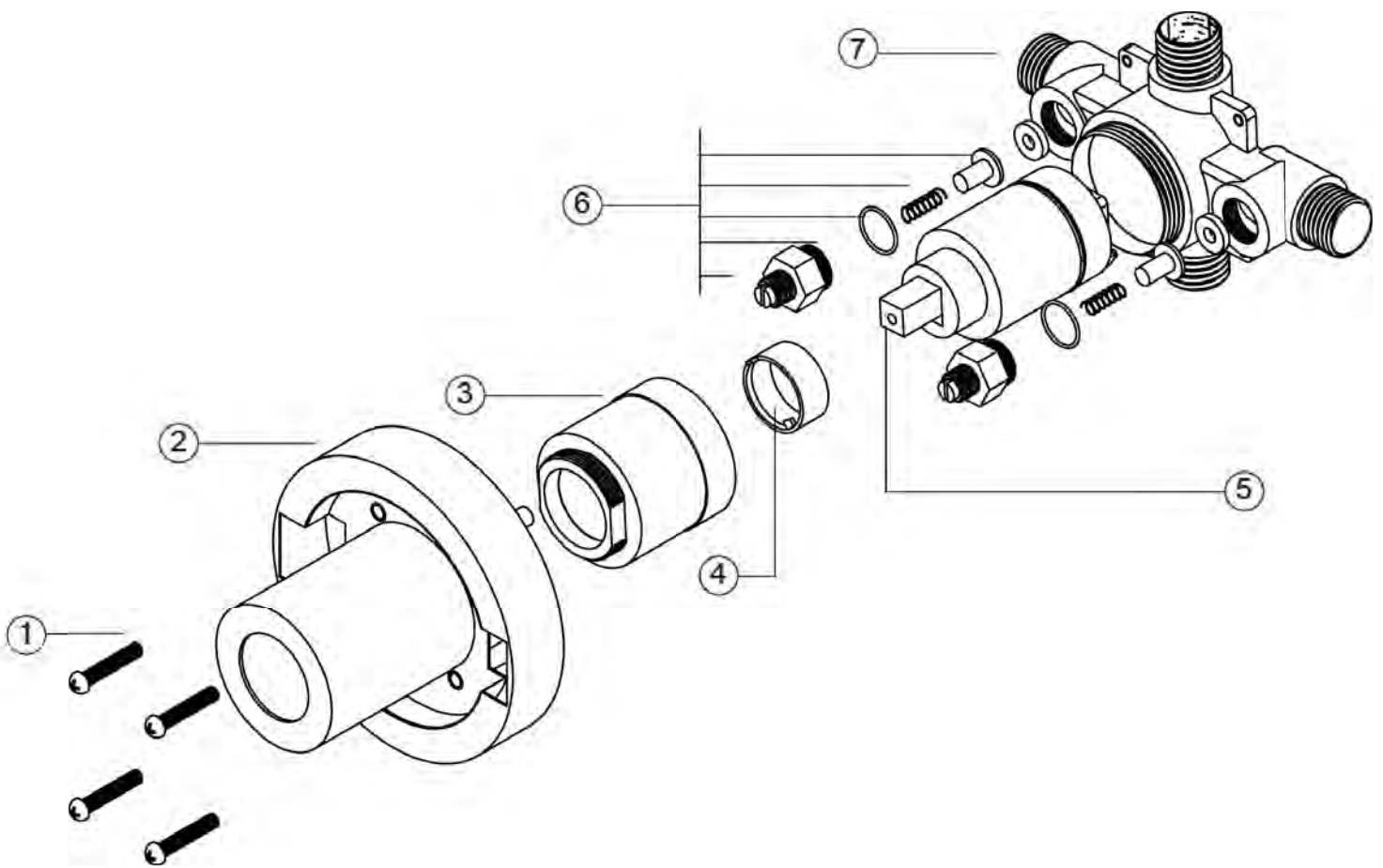
# Borhn.

## Pressure Balance Valve



Scan code  
for installation  
instructions.

# Here's what you have.



- ① Plaster Guard Screws (2)
- ② Plaster Guard
- ③ Cartridge Securing Nut
- ④ Temperature Limiting Ring
- ⑤ Cartridge
- ⑥ Service Stop Assembly (2)
- ⑦ Valve Body

# Product information.

## Hot Water Supply Temperature:

- Maximum: 180°F
- Minimum: 50°F
- Recommended: 150°F - 160°F
- Minimum difference hot mixed temperate: 50°F

## Operating Pressure:

- Maximum: 125 psi
- Minimum: 20 psi
- Recommended: 30 psi - 95 psi
- Operating pressures (on hot and cold lines) should be kept as balanced as possible, in order to assure the maximum efficiency.

## Mixed Water Temperature:

- Maximum: 120°F

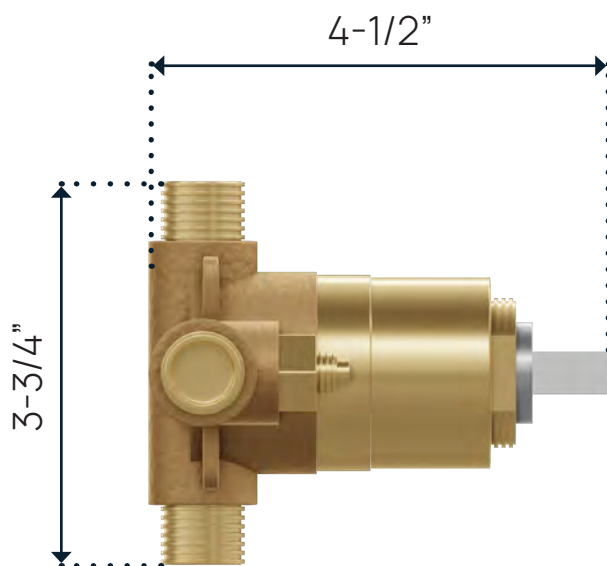
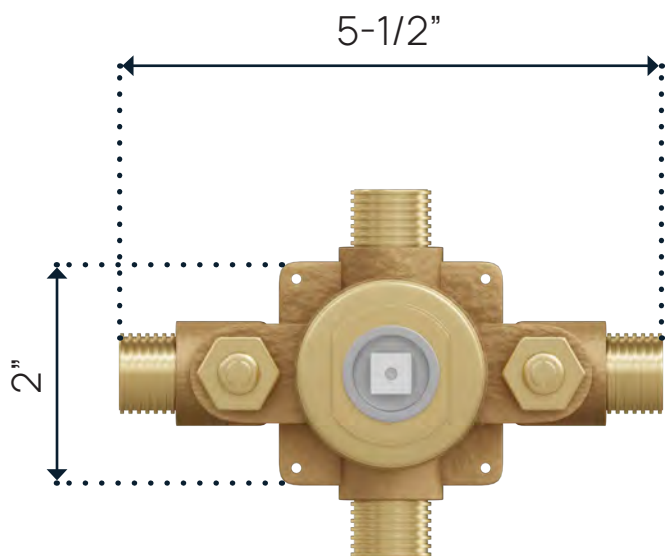
## Standards:

ASSE 1016.ASME A112.18.1/CSA B123.1

## Approvals:



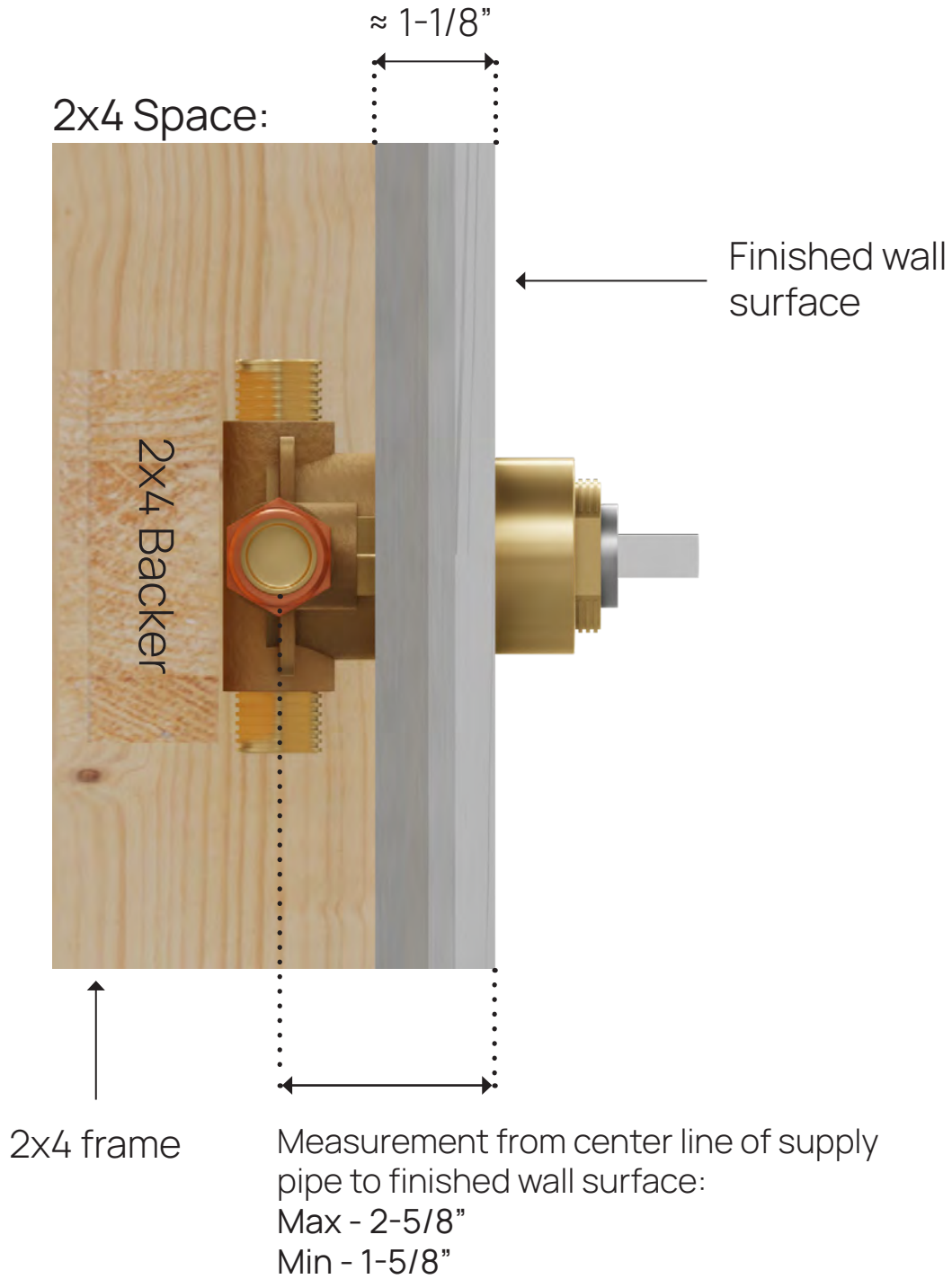
# Product specs.



1

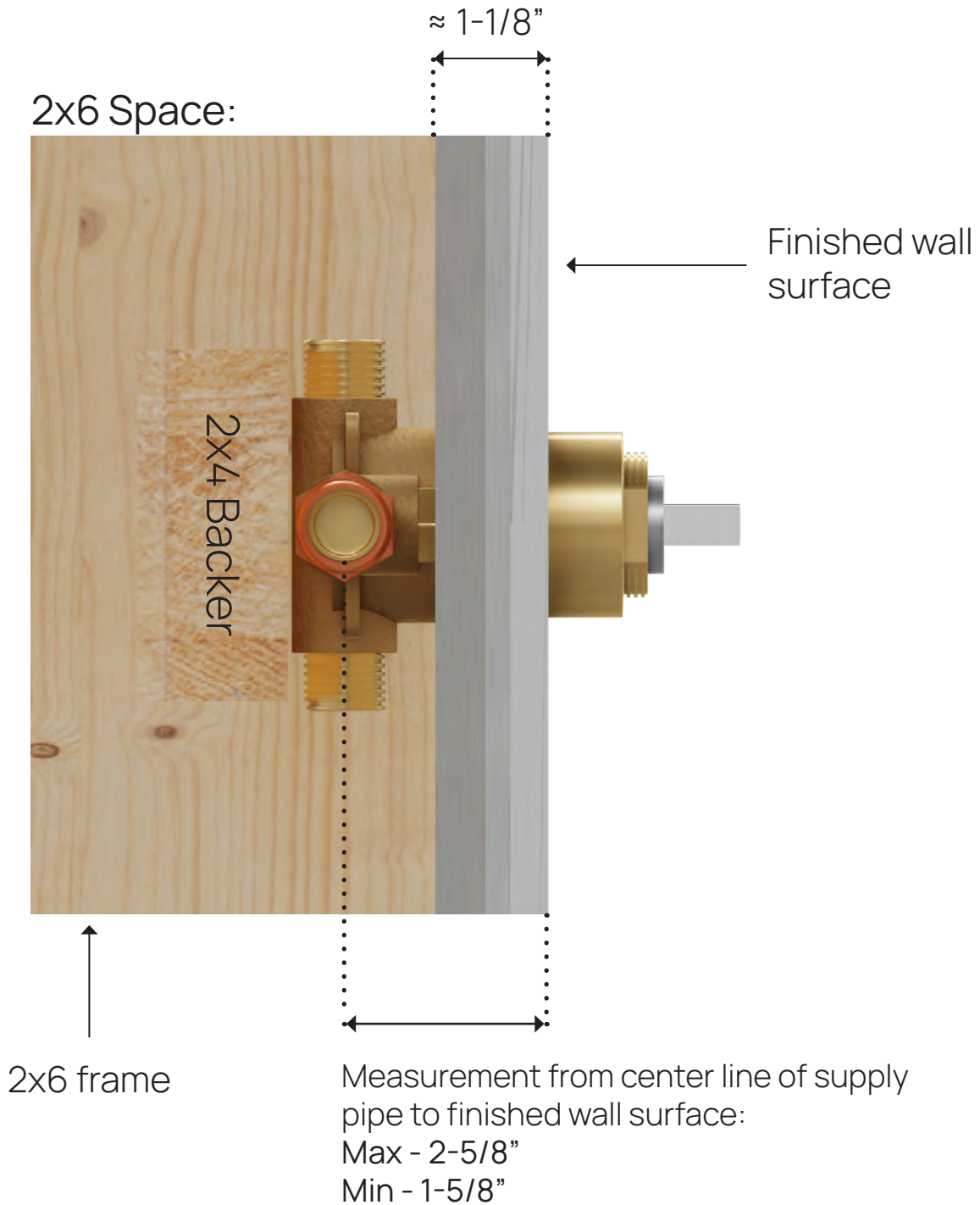
- Install the backer. Refer to the diagram that matches your space.

- For a 2x4 space, install the 2x4 backer as far back as possible.



- For a 2x6 space - refer to the min and max measurements and install the 2x4 backer accordingly.

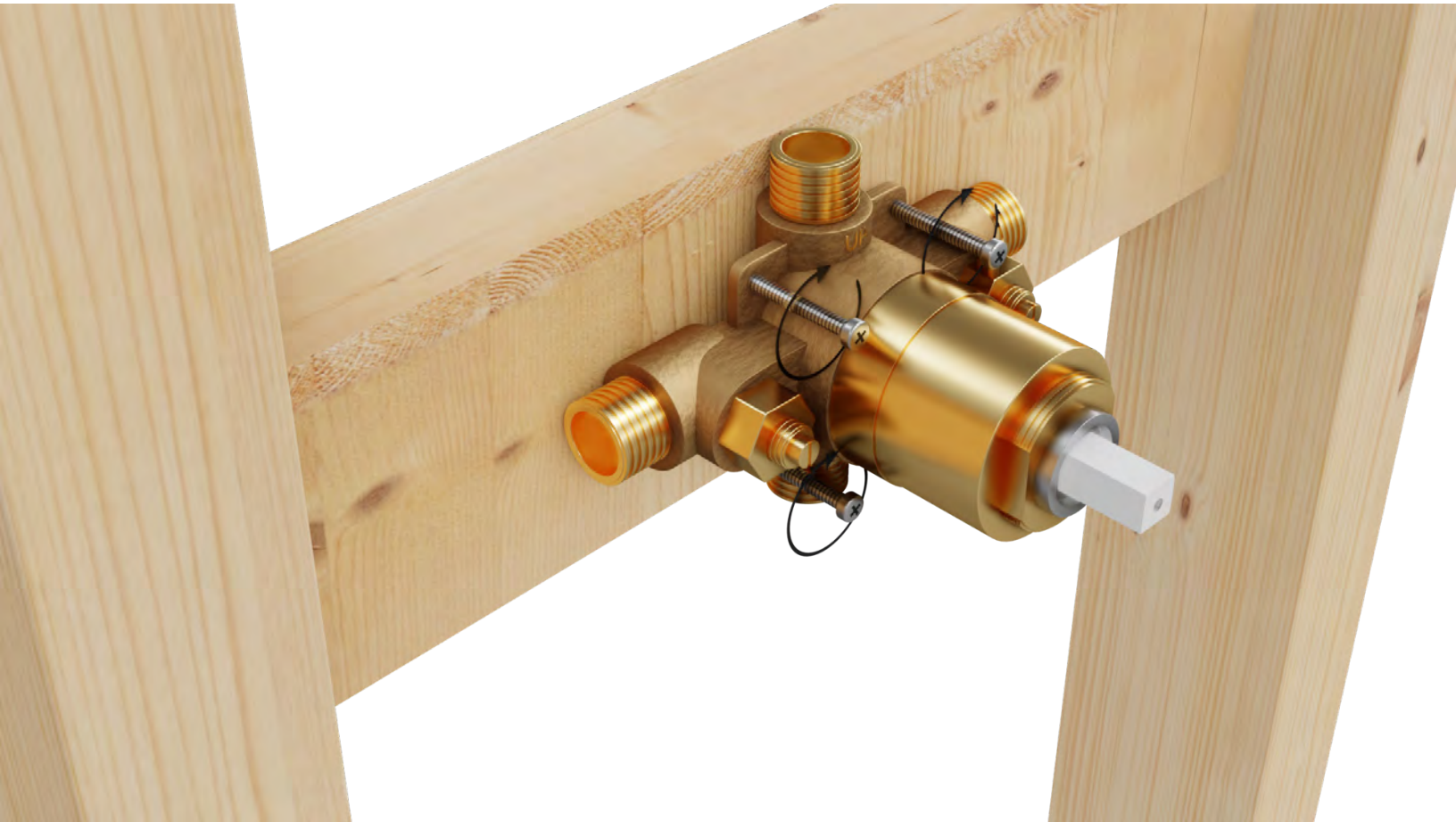
- We calculate the finished wall surface, which includes the durock, thinset, and tile - to be approximately 1-1/8" thick.





2

- Secure valve to the backer using wood screws.



3

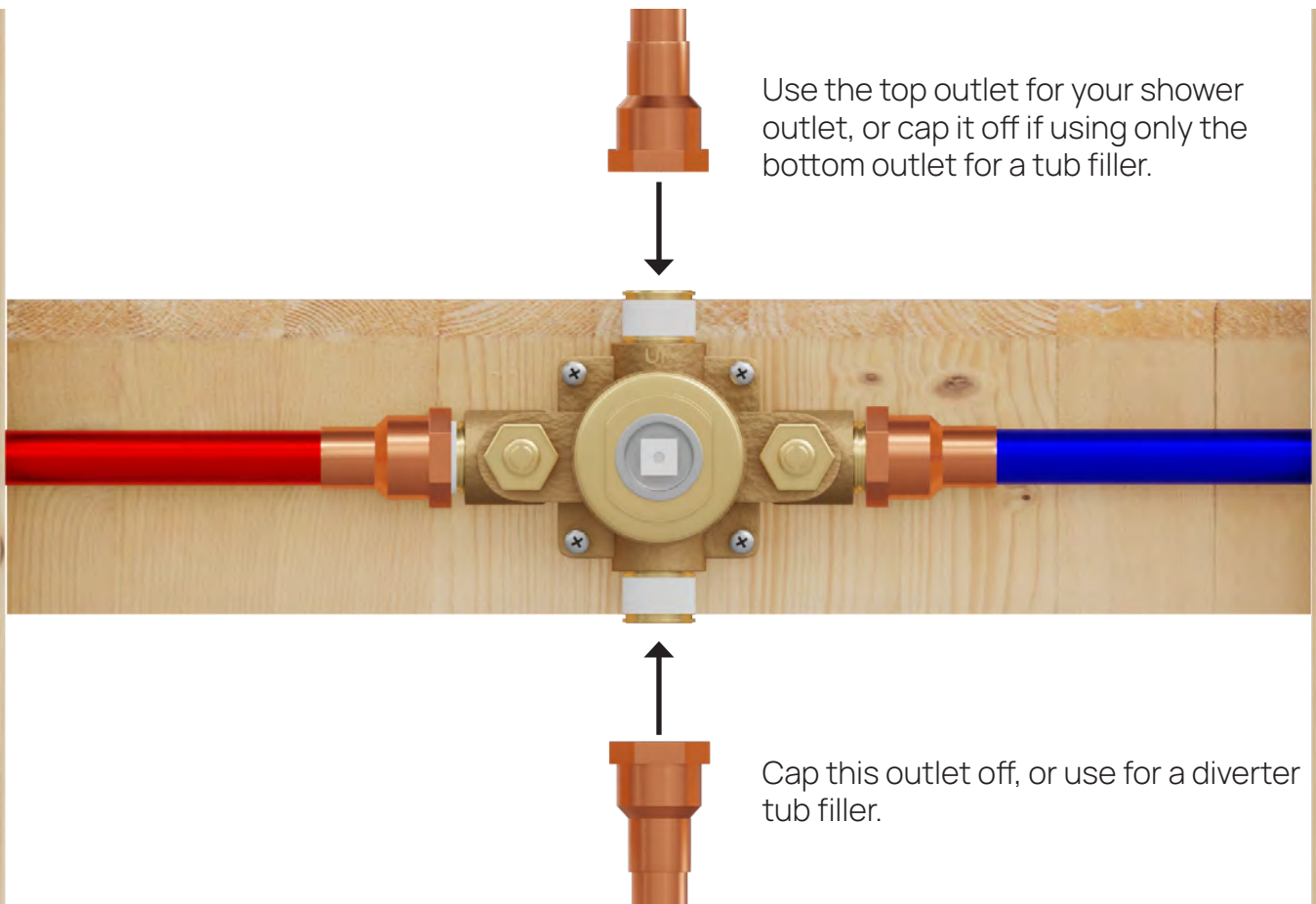
- Install 1/2" hot and cold supply lines and firmly secure with a wrench.
- If using heat near the valve body, remove cartridges and service stops.



# 4

- Install 1/2" outlet

- This valve only supports one outlet - **unless** you are using a tub filler with a pull diverter.



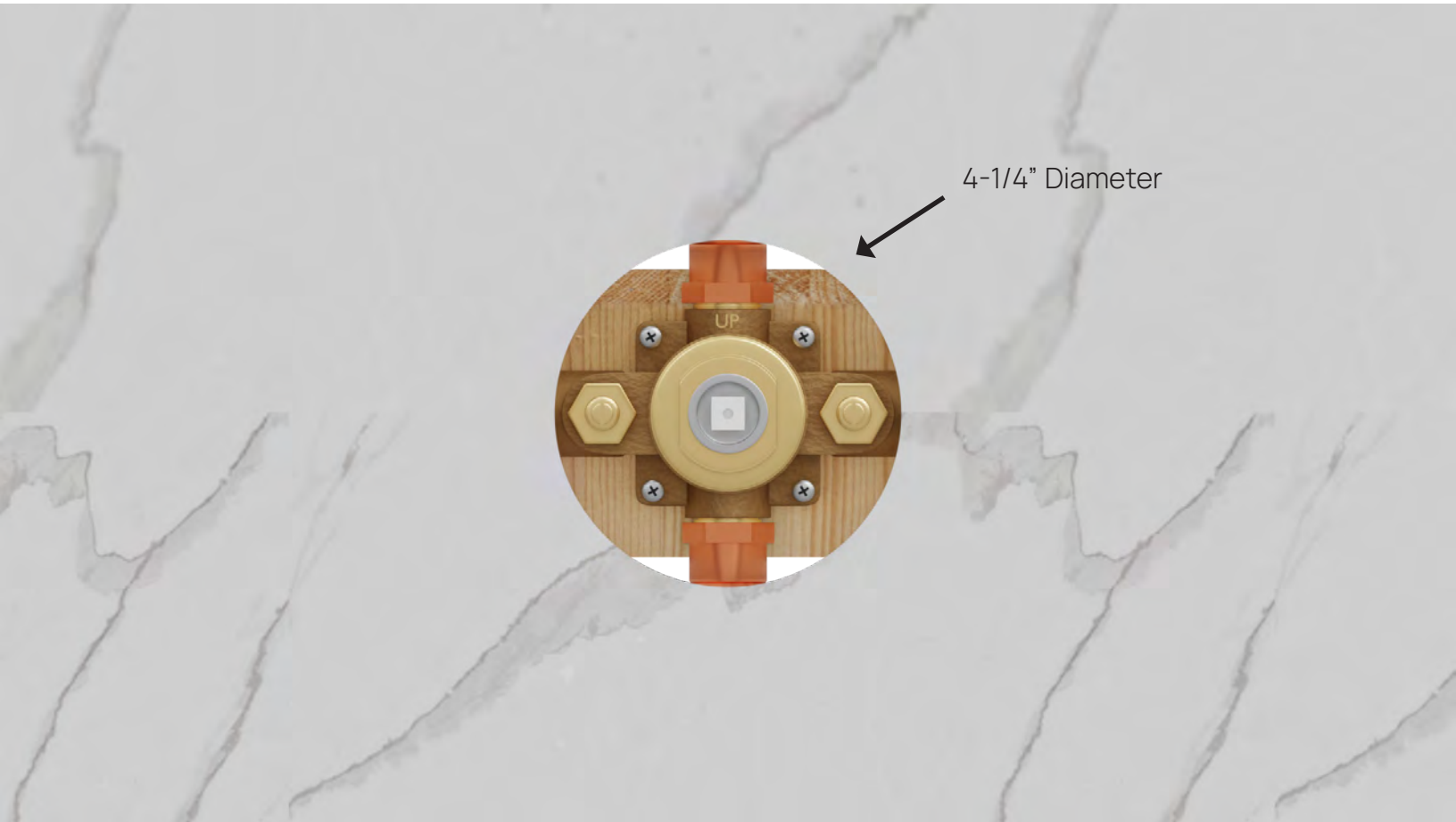
Use the top outlet for your shower outlet, or cap it off if using only the bottom outlet for a tub filler.

Cap this outlet off, or use for a diverter tub filler.

**Important:** If using both outlets, 1/2" copper pipe must be used to ensure sufficient flow for the diverter tub spout to work correctly.

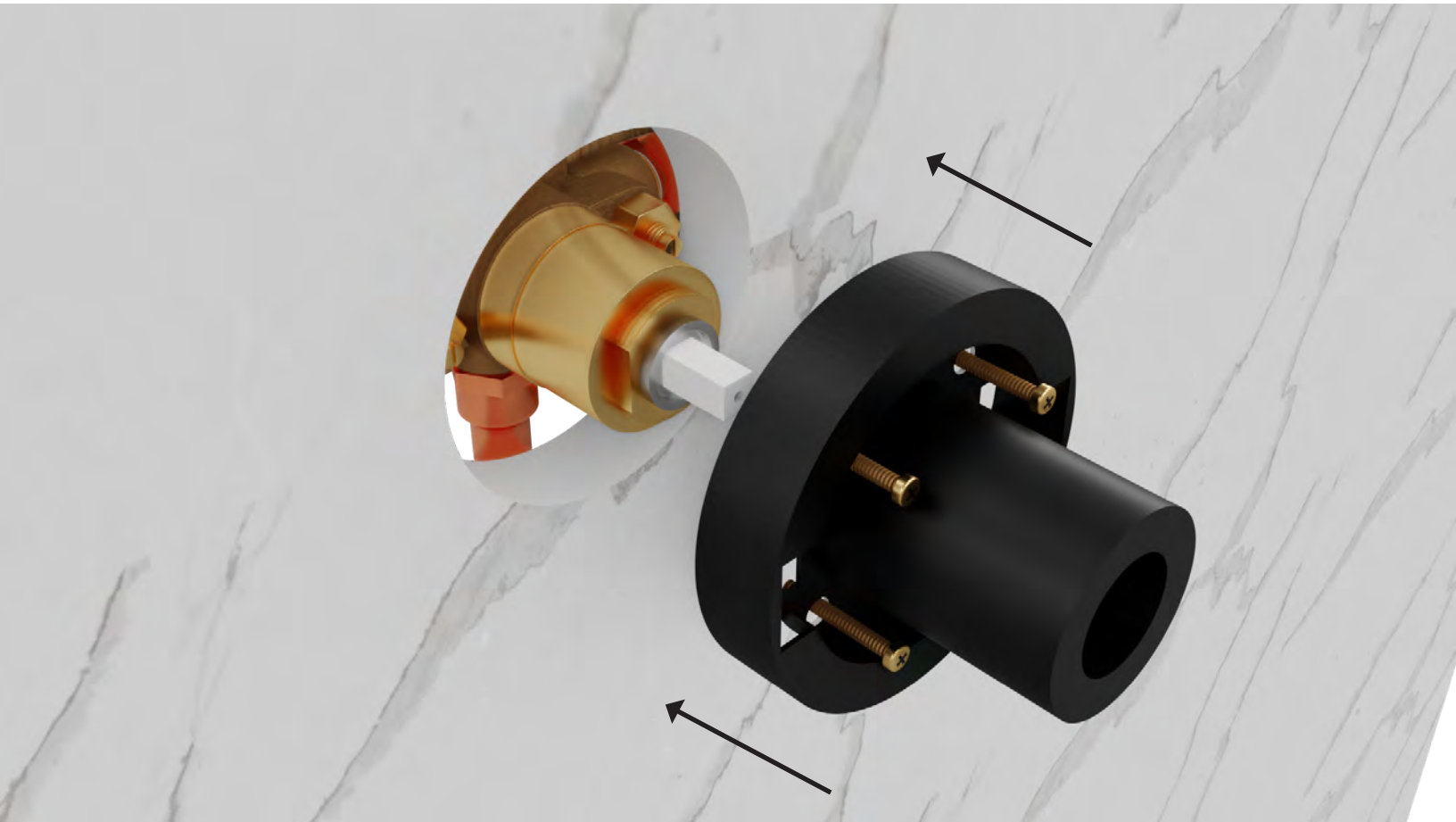
5

- Cut a 4-1/4" hole in the finished wall surface.



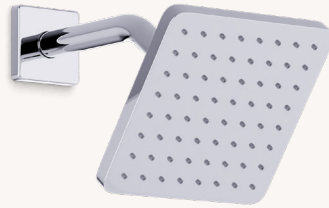
6

- Install the plaster guard



# Icon

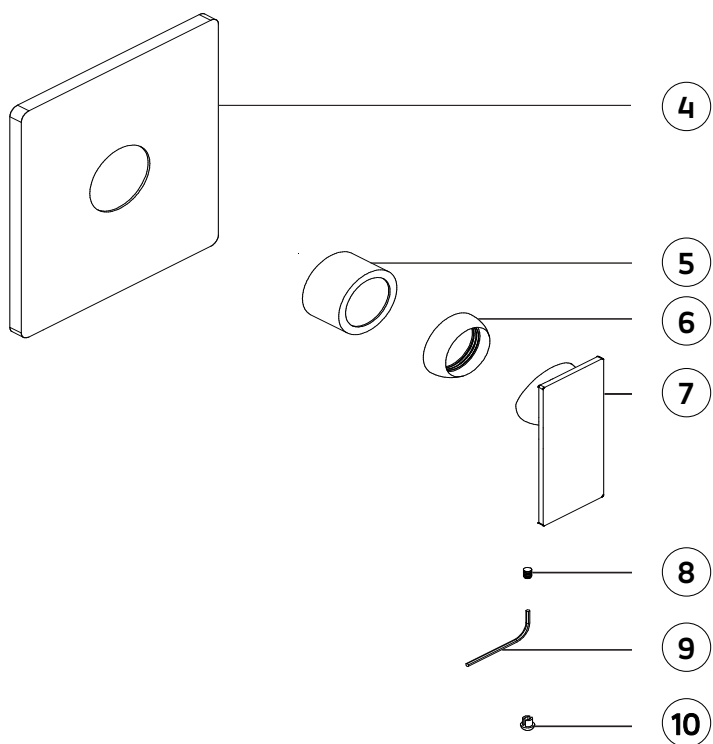
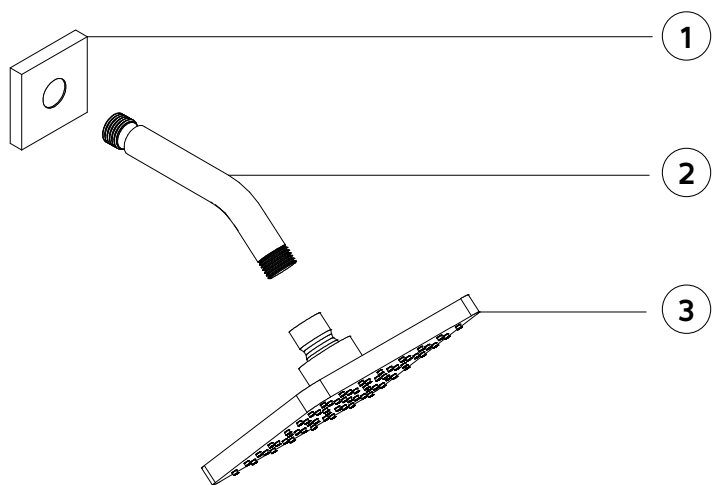
## Shower Set



Scan code  
for installation  
instructions.

Borhn.

# Here's what you have.



- ① Shower Arm Escutcheon
- ② Shower Arm
- ③ Shower Head
- ④ Trim Kit Escutcheon
- ⑤ Sleeve
- ⑥ Bevel
- ⑦ Handle
- ⑧ Set Screw
- ⑨ Allen Wrench
- ⑩ Set Screw Cap



# Product information.

## Includes:

- Multi Function Shower Head & Arm
- Valve Trim Kit

## Operating Temperature:

- Maximum: 176°F

## Operating Flow Rate:

- Shower Head: 1.8 USGPM
- Tub Filler: 6.3 USGPM

## Standards:

- ASSE 1016-2011
- ASME\_A112.1016-20011
- CSA B125:16-11

## Approvals:



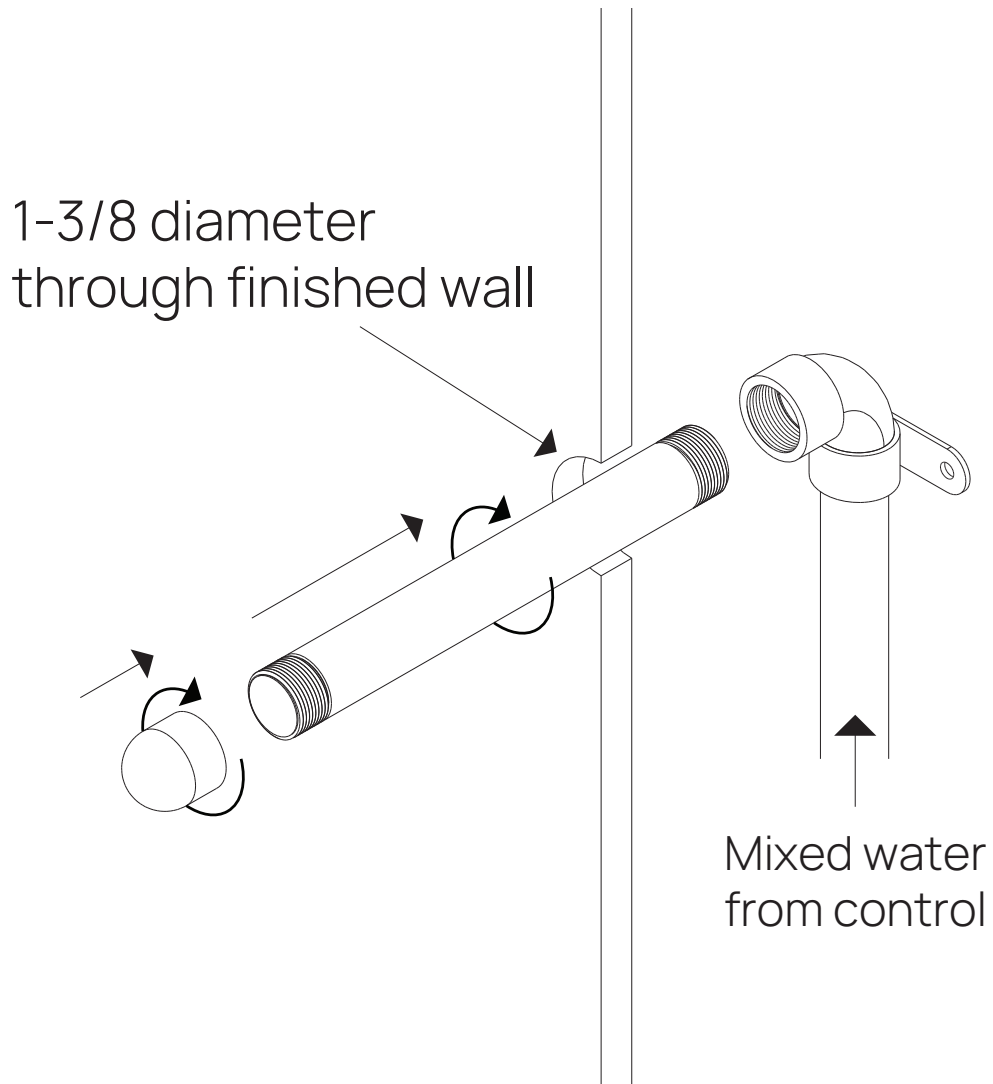
## Available In:

Polished    Satin    Matte  
Chrome    Nickel    Black



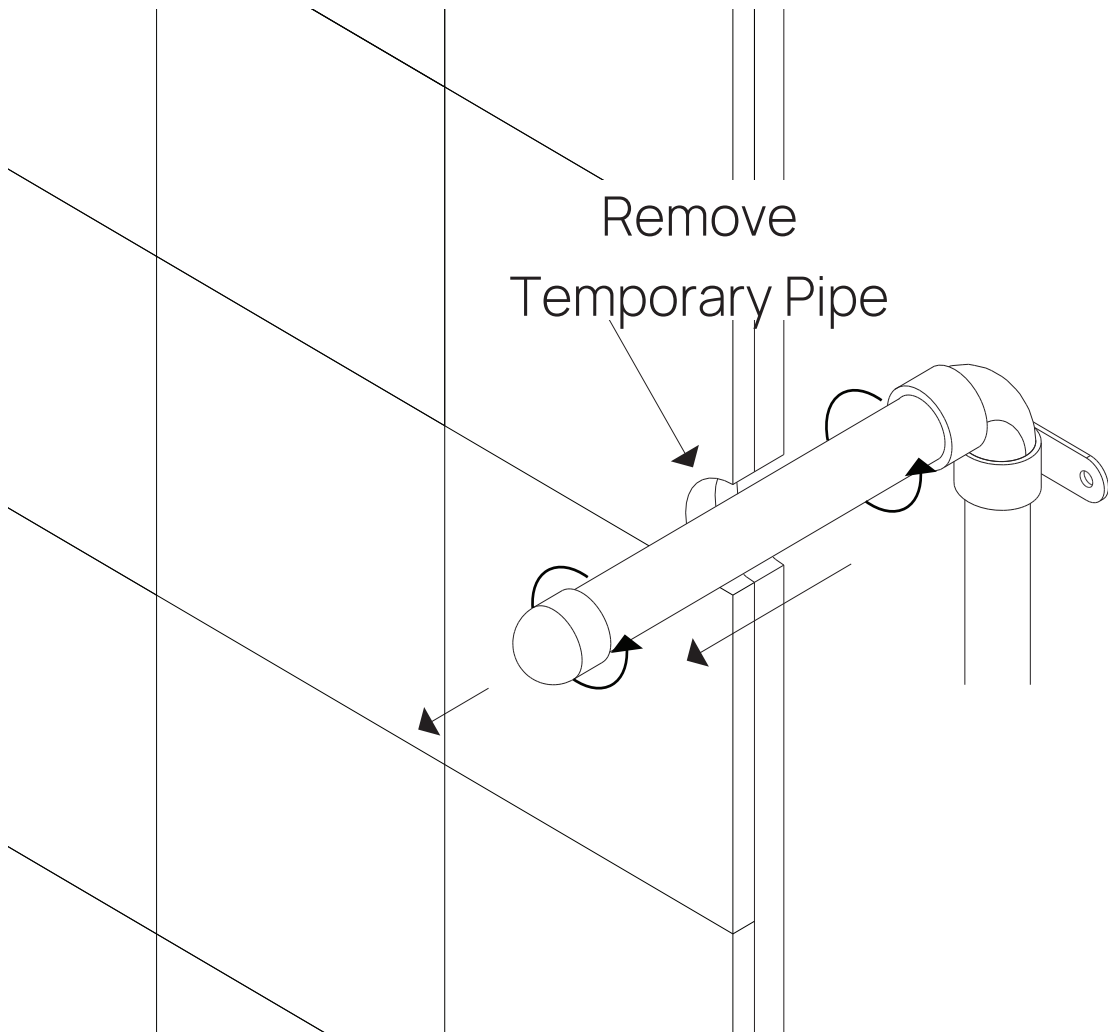
1

- Before tiling, install drop ear connections for your desired outlets and install a temporary pipe until tiling is complete.



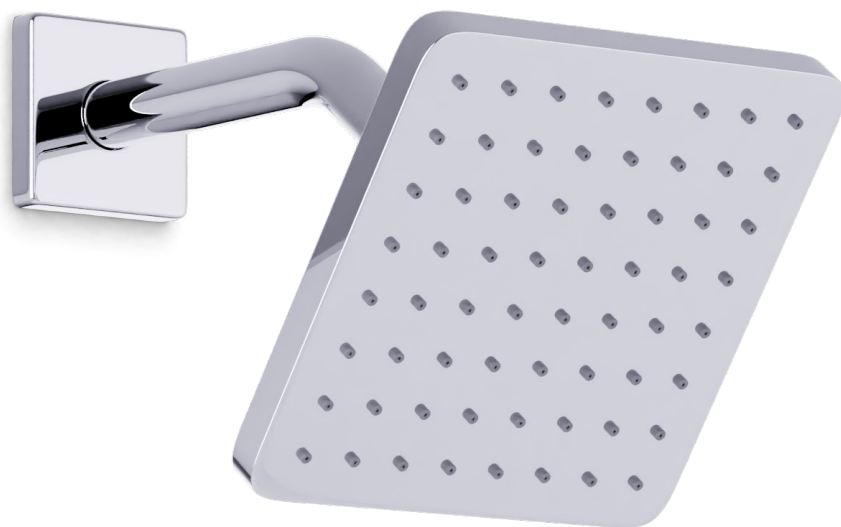
2

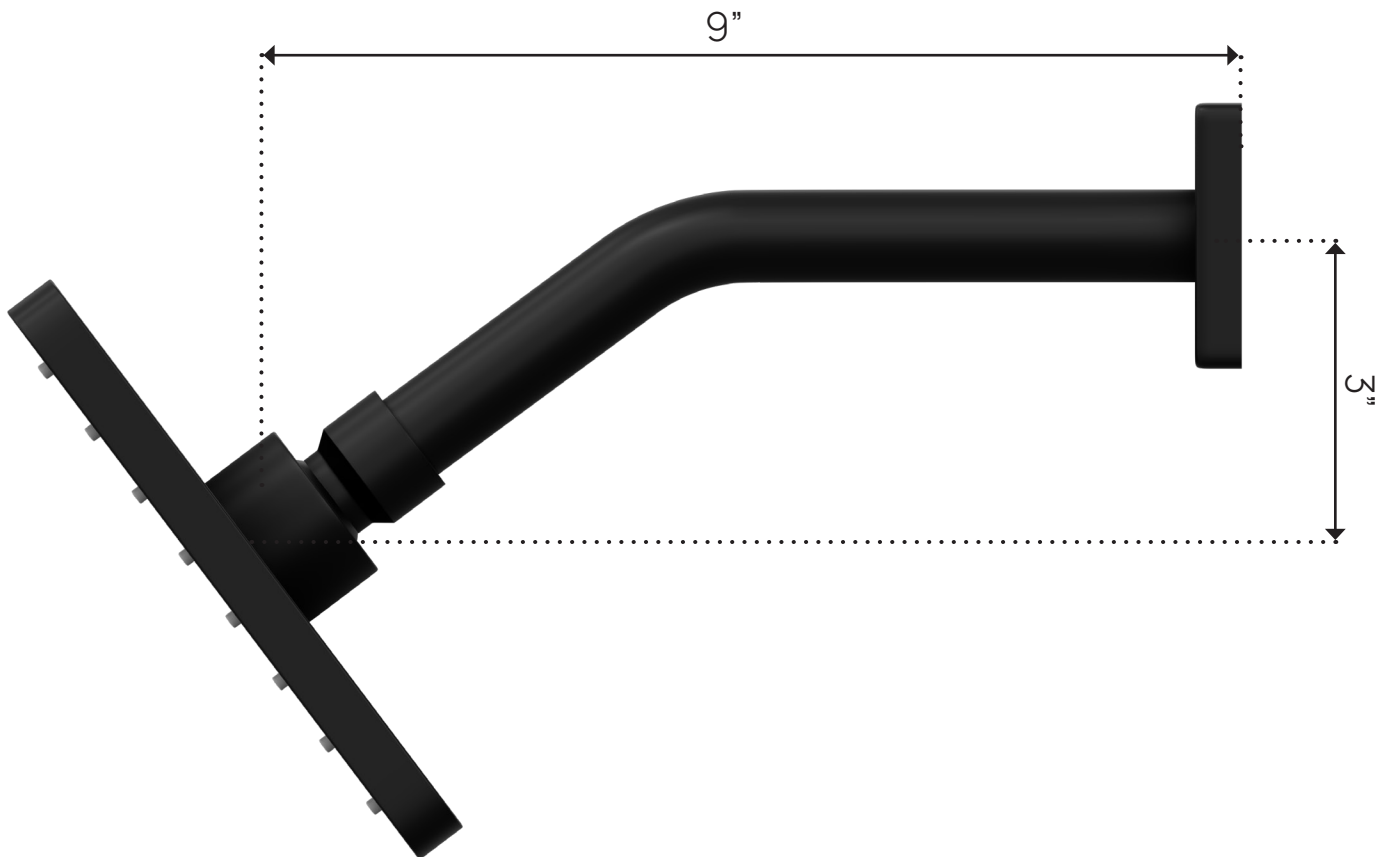
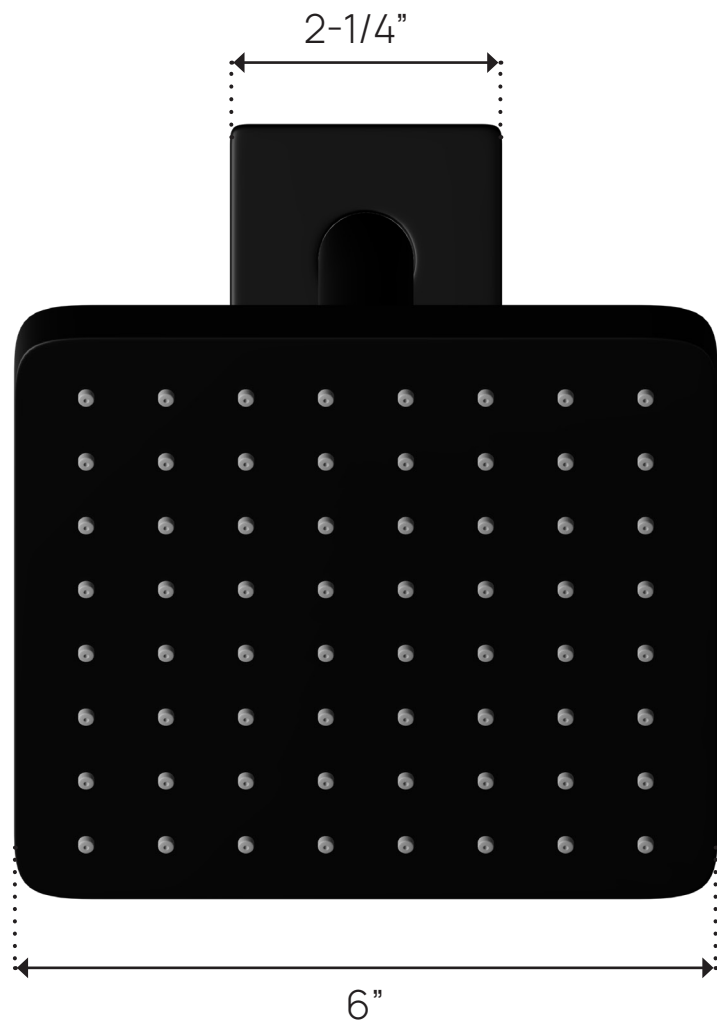
- Once tiling is complete, remove temporary pipe and prepare to install the trim items.



Firstly...

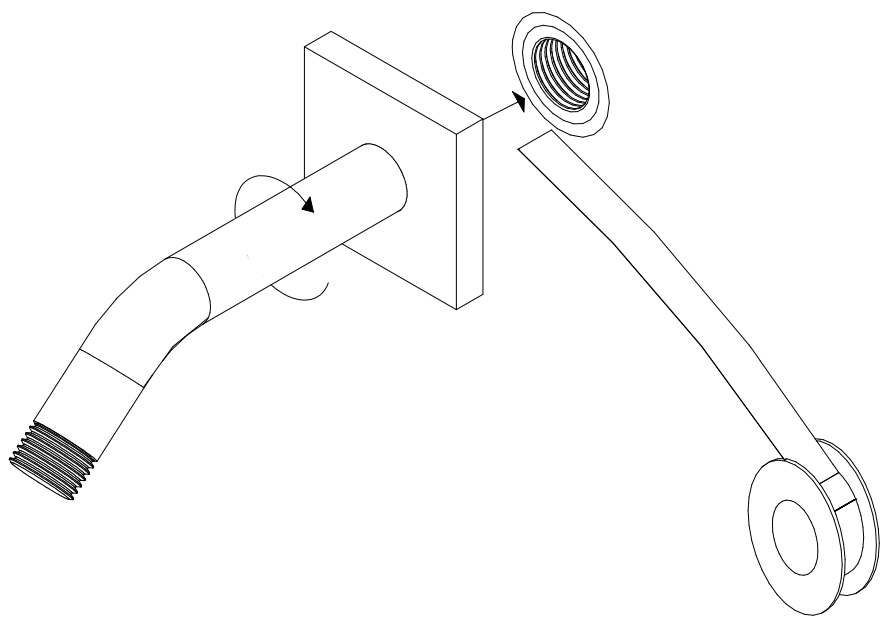
# The Shower Head.





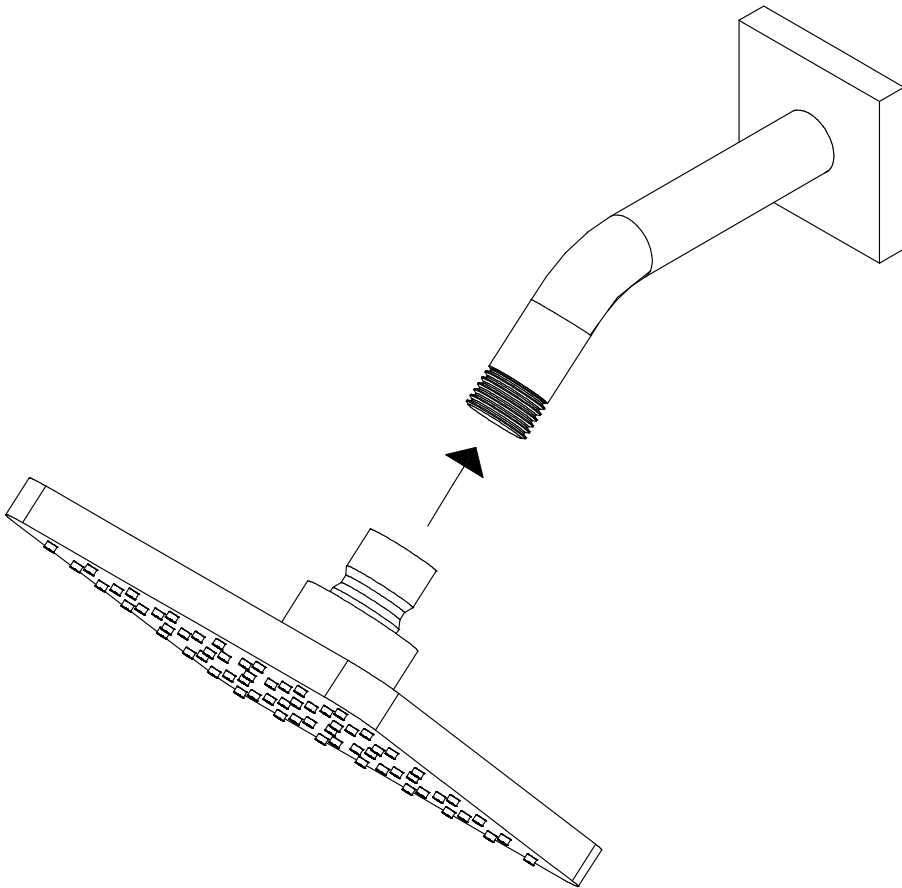
1

- Push the escutcheon plate onto the arm. Use teflon tape on the threads and thread the arm into the wall connection.



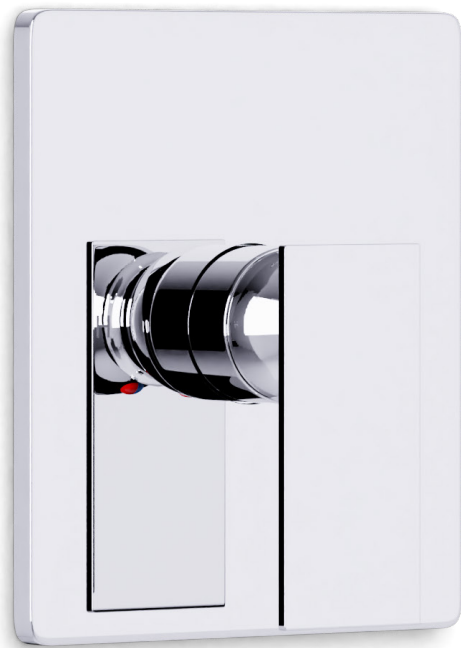
2

- Thread the shower head onto the arm.

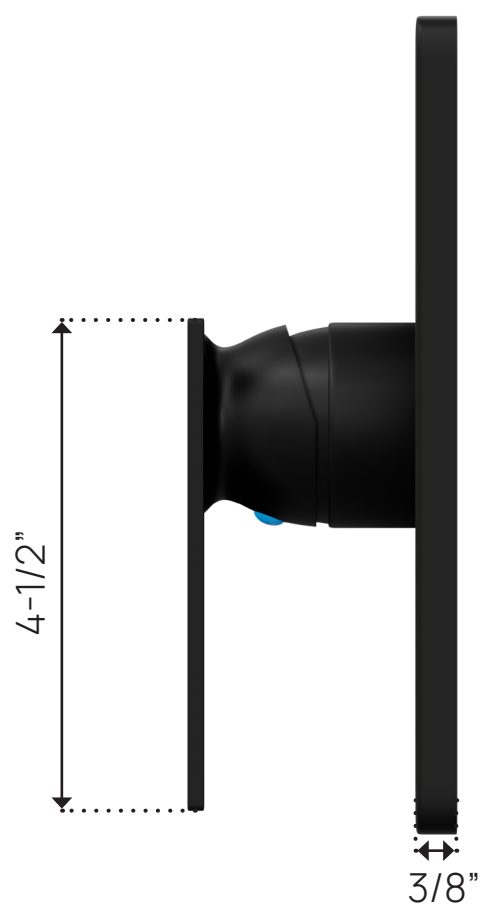
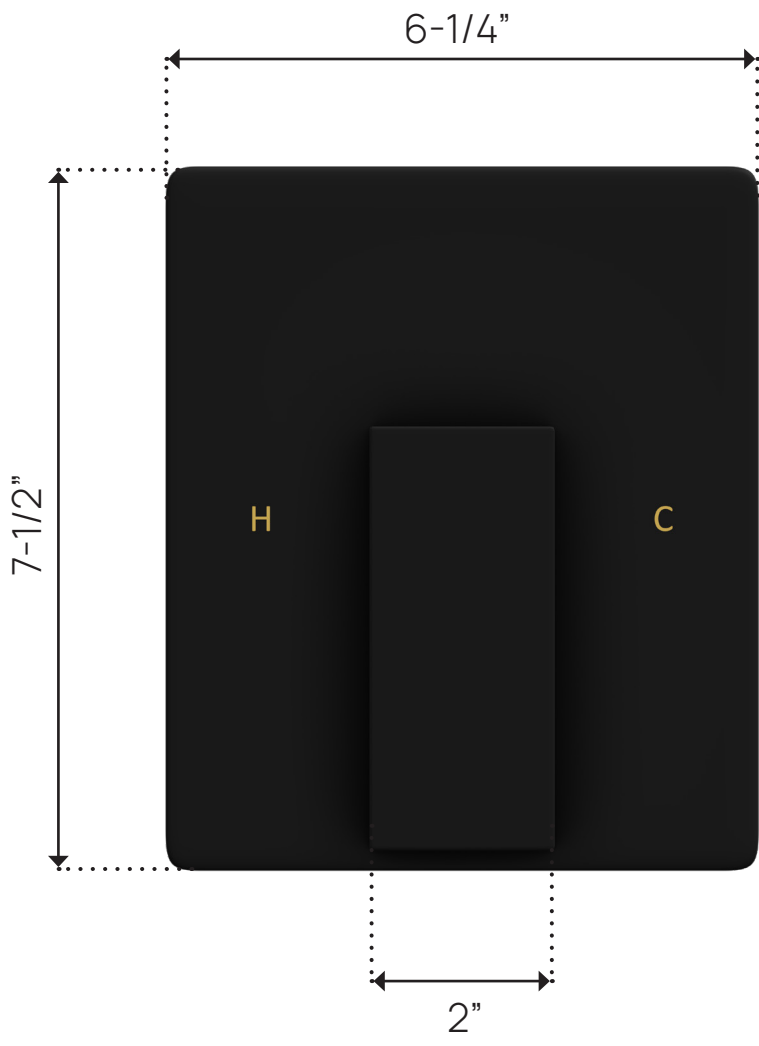


Next...

# The Valve Trim.

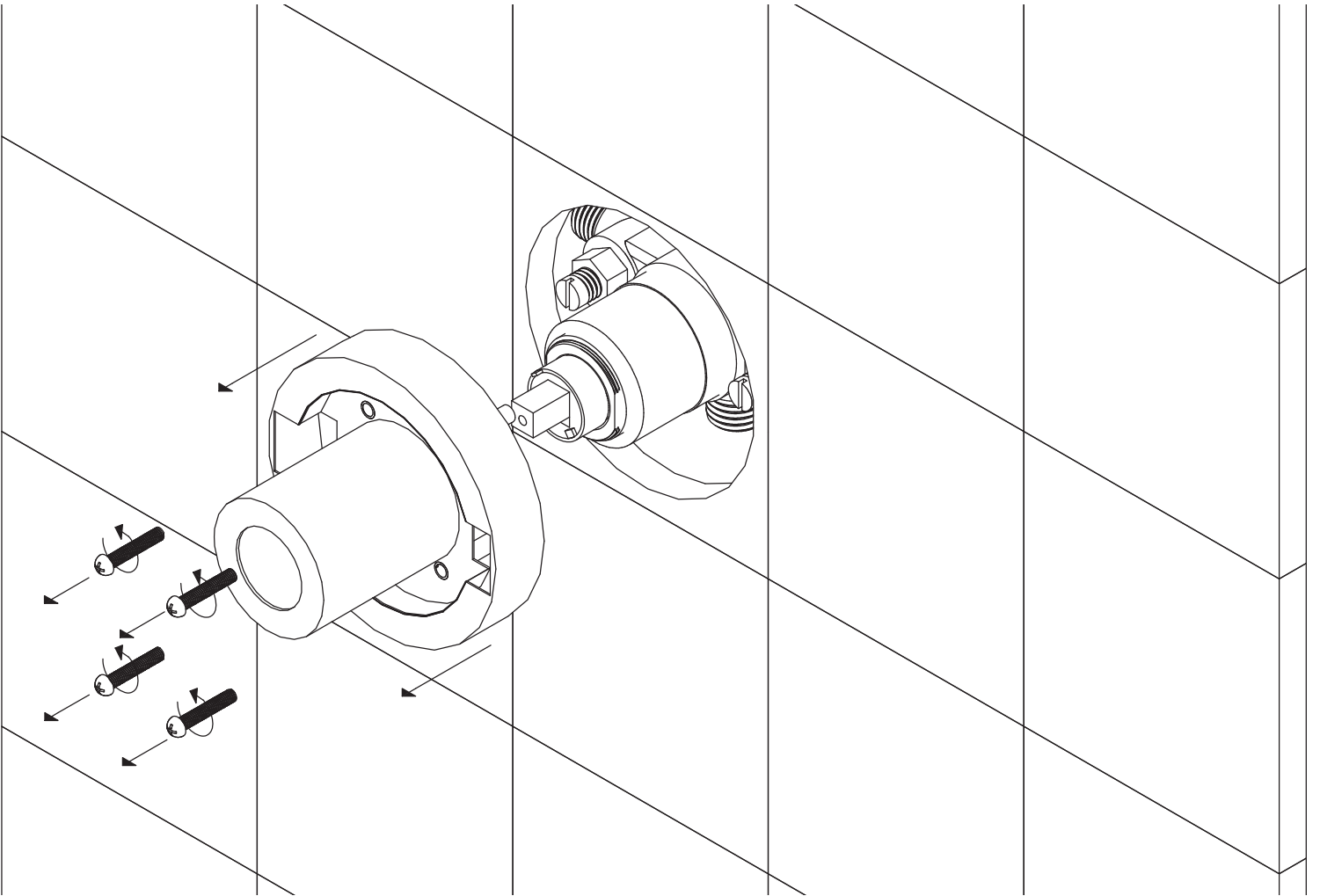






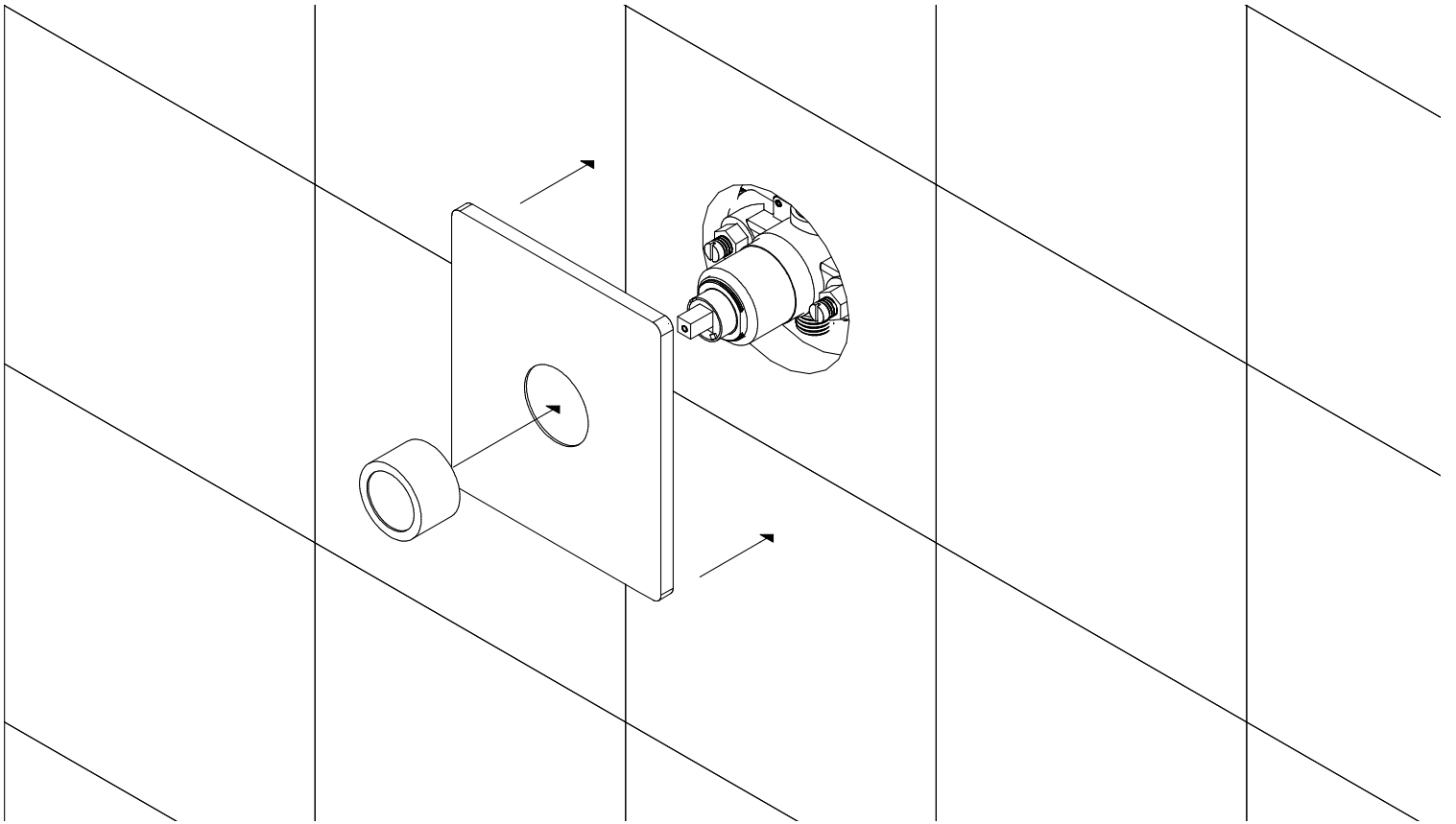
1

- Remove the plaster guard from the valve.



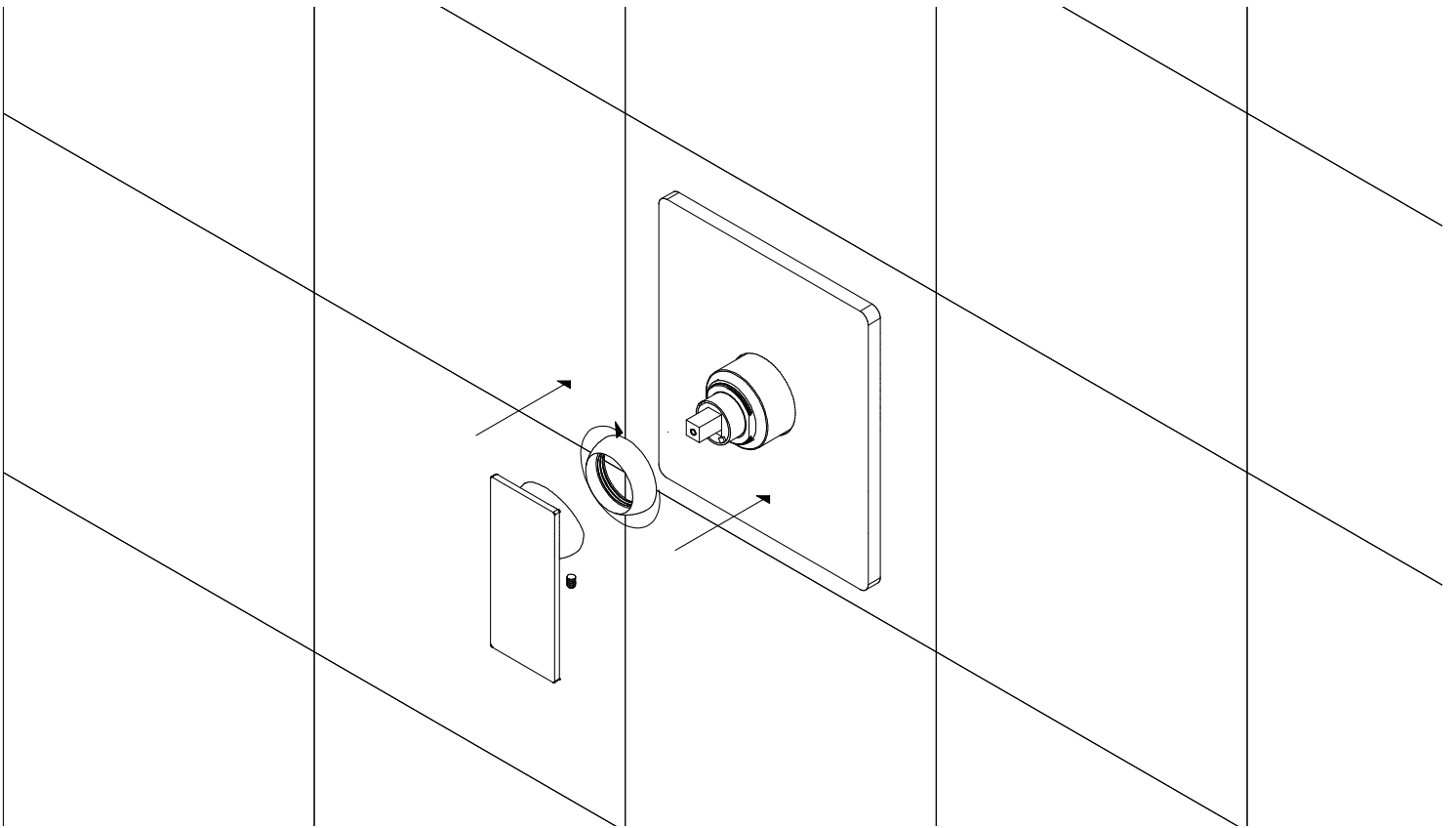
2

- Push the plate and sleeve onto the valve.



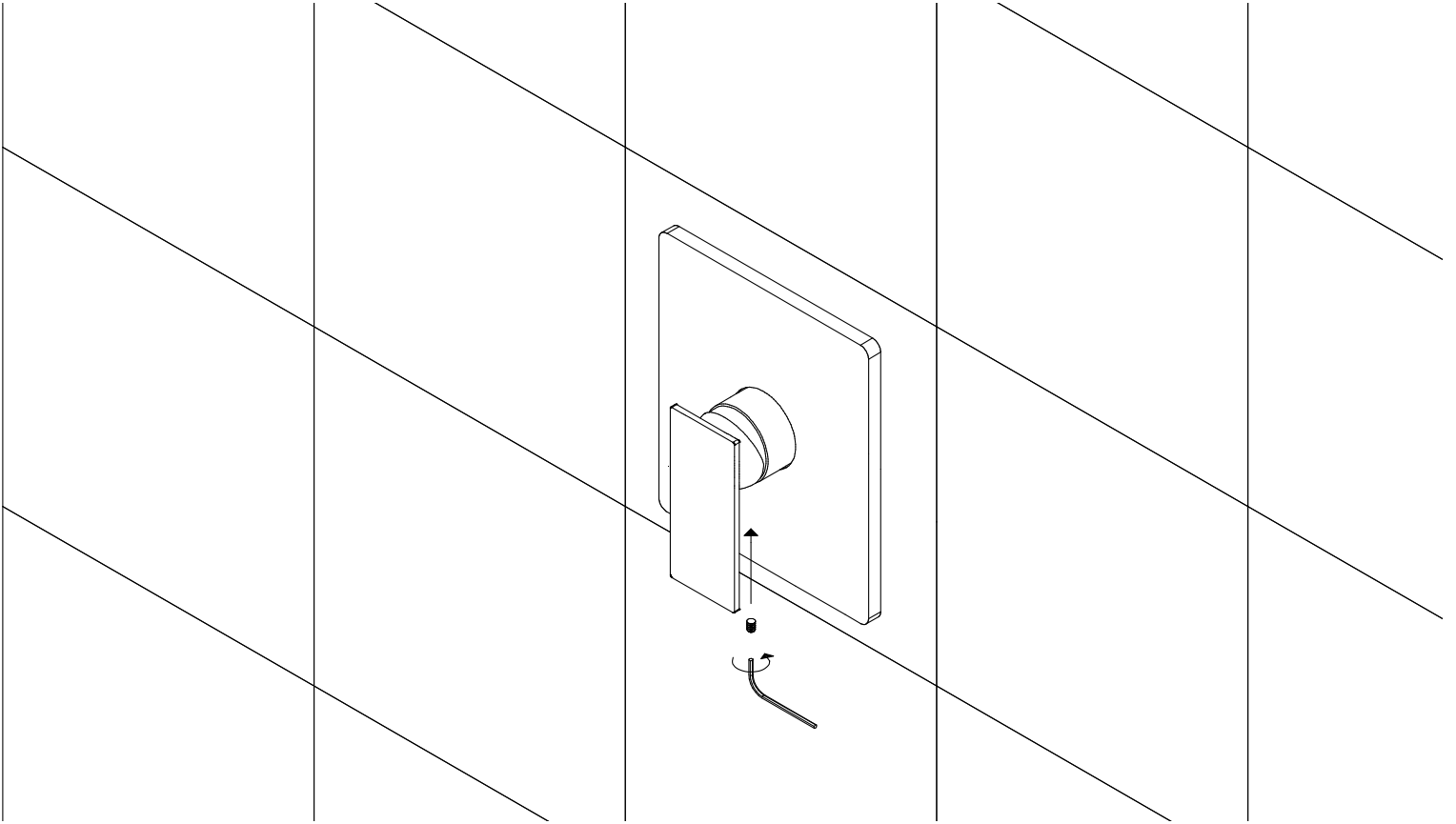
3

- Push the bevel and handle onto the valve.



4

- Secure the handle using the set screw and provided allen wrench.



That's it! Enjoy your new shower set.



Reach out to the team with any questions.

Text us at: 505.456.5240

Email us at: [customerservice@borhn.com](mailto:customerservice@borhn.com)

Enjoy your shower set.

Every Borhn product is characterized by a unique combination of timeless design, durable quality, and unrivalled craftsmanship.

Borhn.