

# Meridian

Wall Mounted Bathroom Faucet



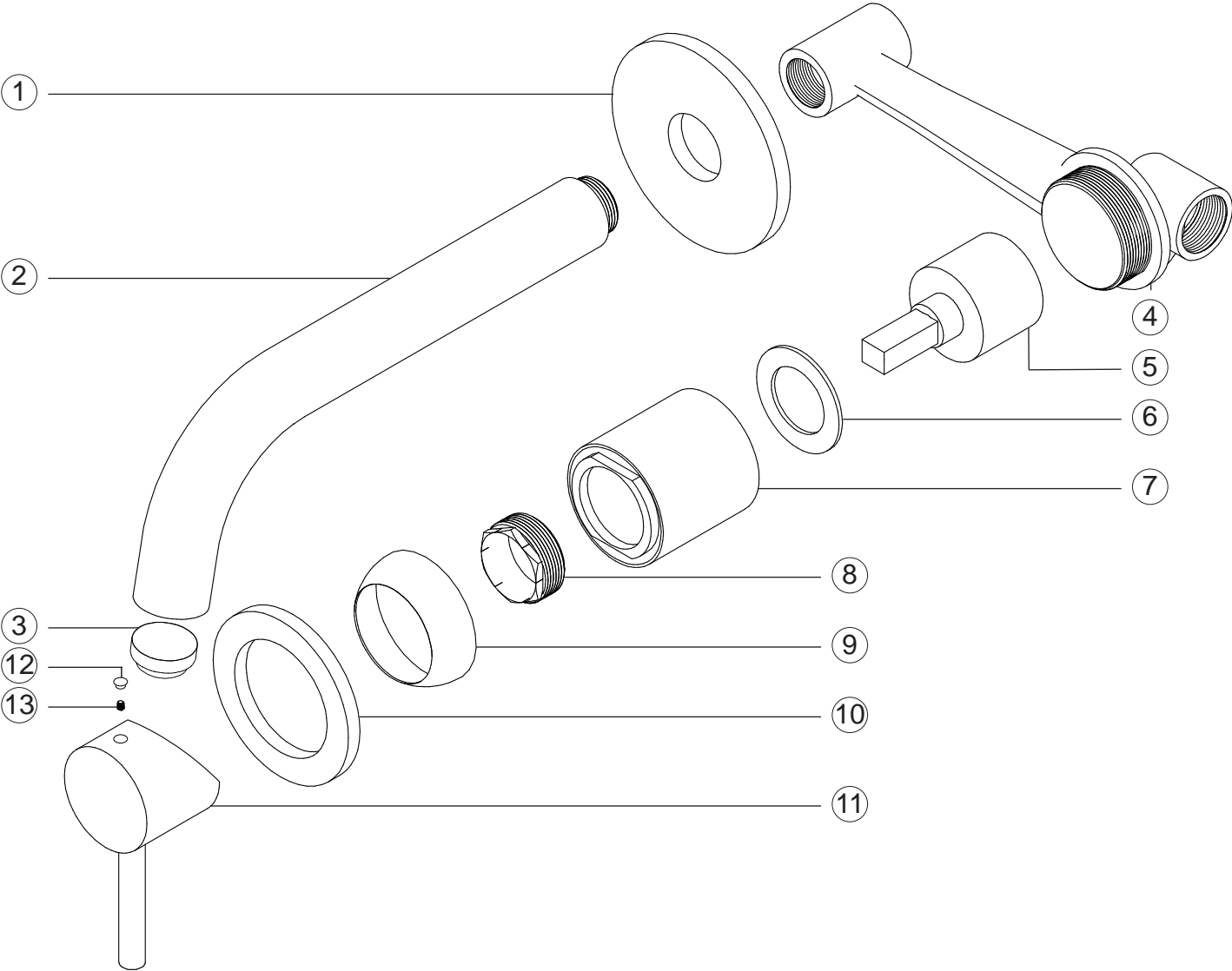
Borhn

to

be

different.

# Here's what you have.



- ① Spout Escutcheon
- ② Faucet Spout
- ③ Faucet Aerator
- ④ Valve Body
- ⑤ Cartridge
- ⑥ Cartridge Gasket
- ⑦ Cartridge Housing
- ⑧ Cartridge Securing Nut
- ⑨ Dress Ring
- ⑩ Control Handle Escutcheon
- ⑪ Control Handle
- ⑫ Control Handle Cap
- ⑬ Control Handle Set Screw

# Product information.

## Operating Temperature:

- Maximum: 176°F

## Operating Flow Rate:

- 1.8 USGPM

## Cartridge:

- Ceramic disk cartridge

## Operating Pressure:

- Minimum: 15 psi
- Maximum: 75 psi
- Above 90psi it may be necessary to install a pressure reducer.

## Approvals:



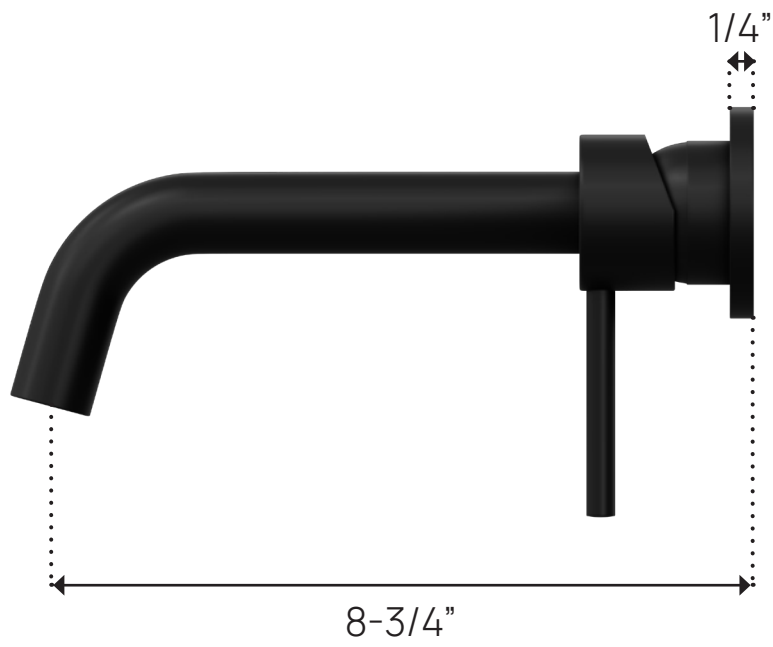
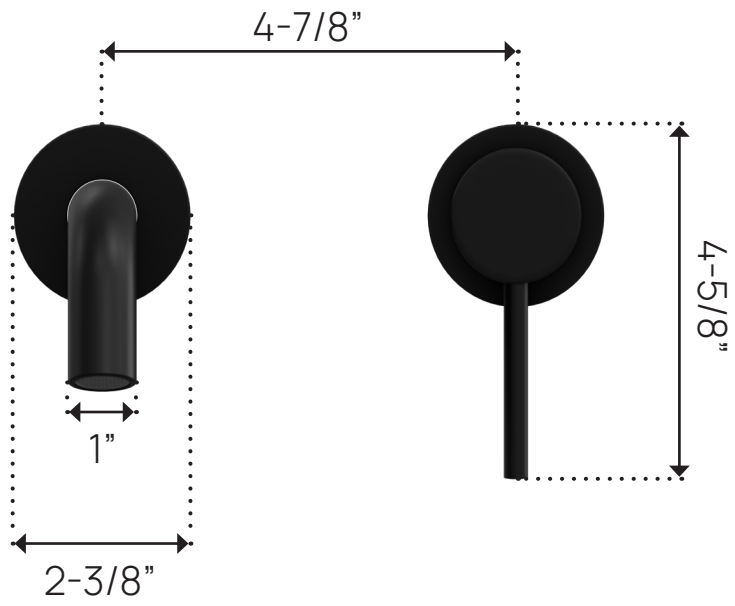
## Features:

- Integrated control

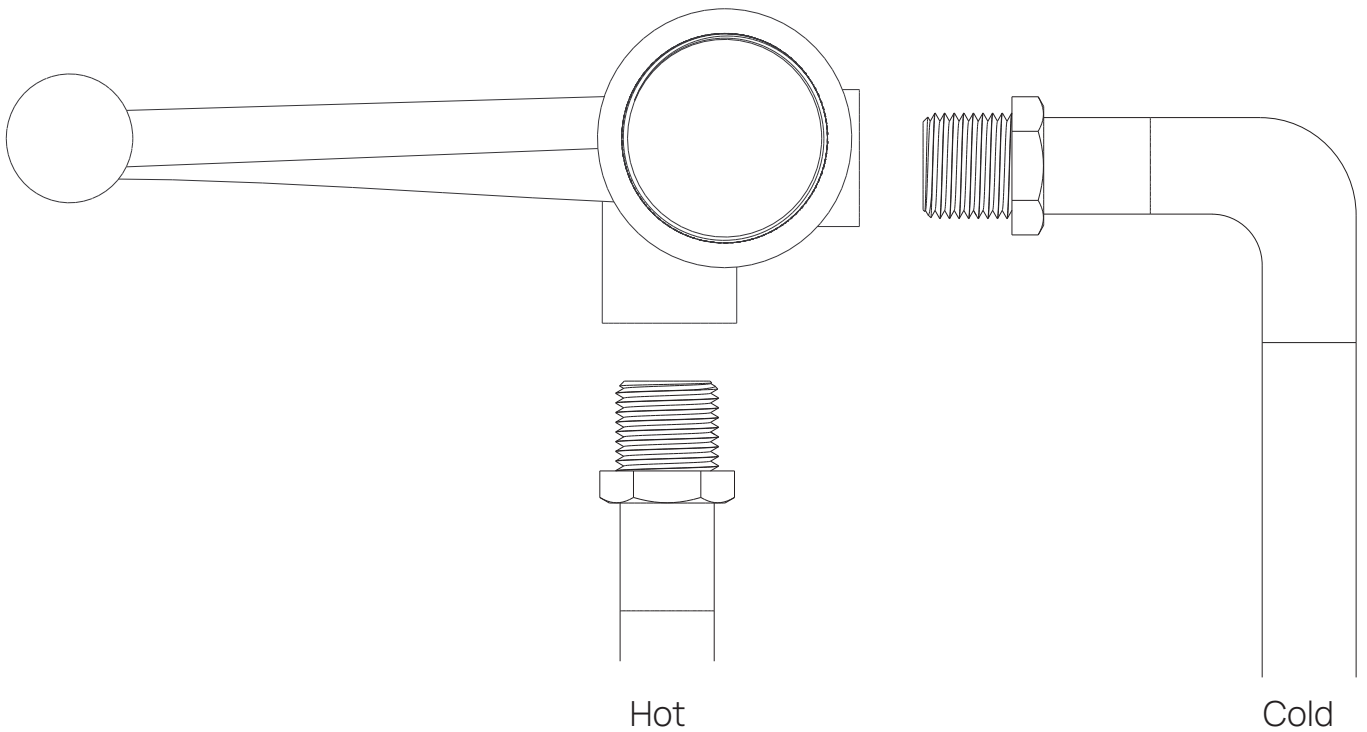
## Available In:

Polished Chrome    Satin Nickel    Matte Black    Satin Brass





- 1** - Before tiling, connect the hot and cold supply lines and firmly tighten with a wrench
- Refer to the colored dots, connect the hot to the bottom 1/2" outlet (red dot) and the cold to the right 1/2" outlet (blue dot).

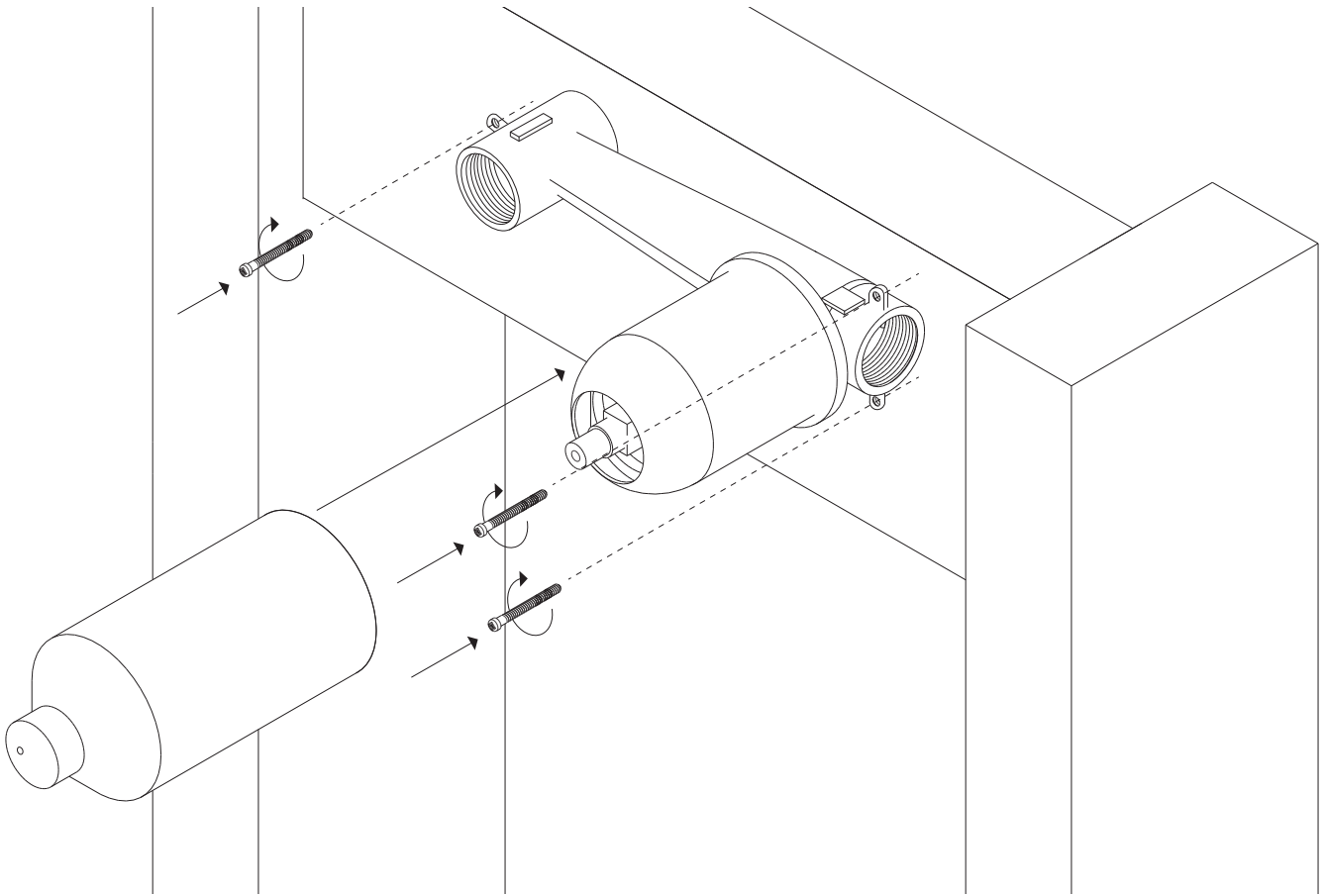




2

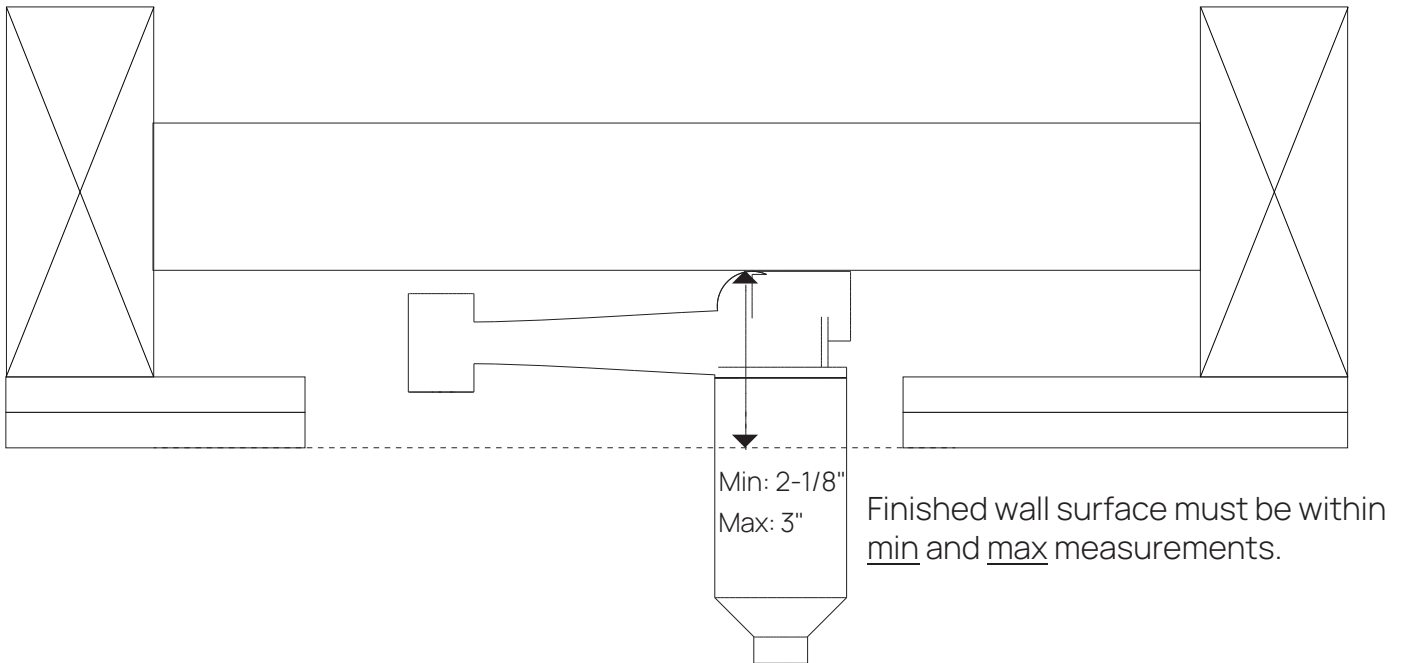
- Secure the valve body to the wall, ensuring that it is completely level.

- Install plaster guard.



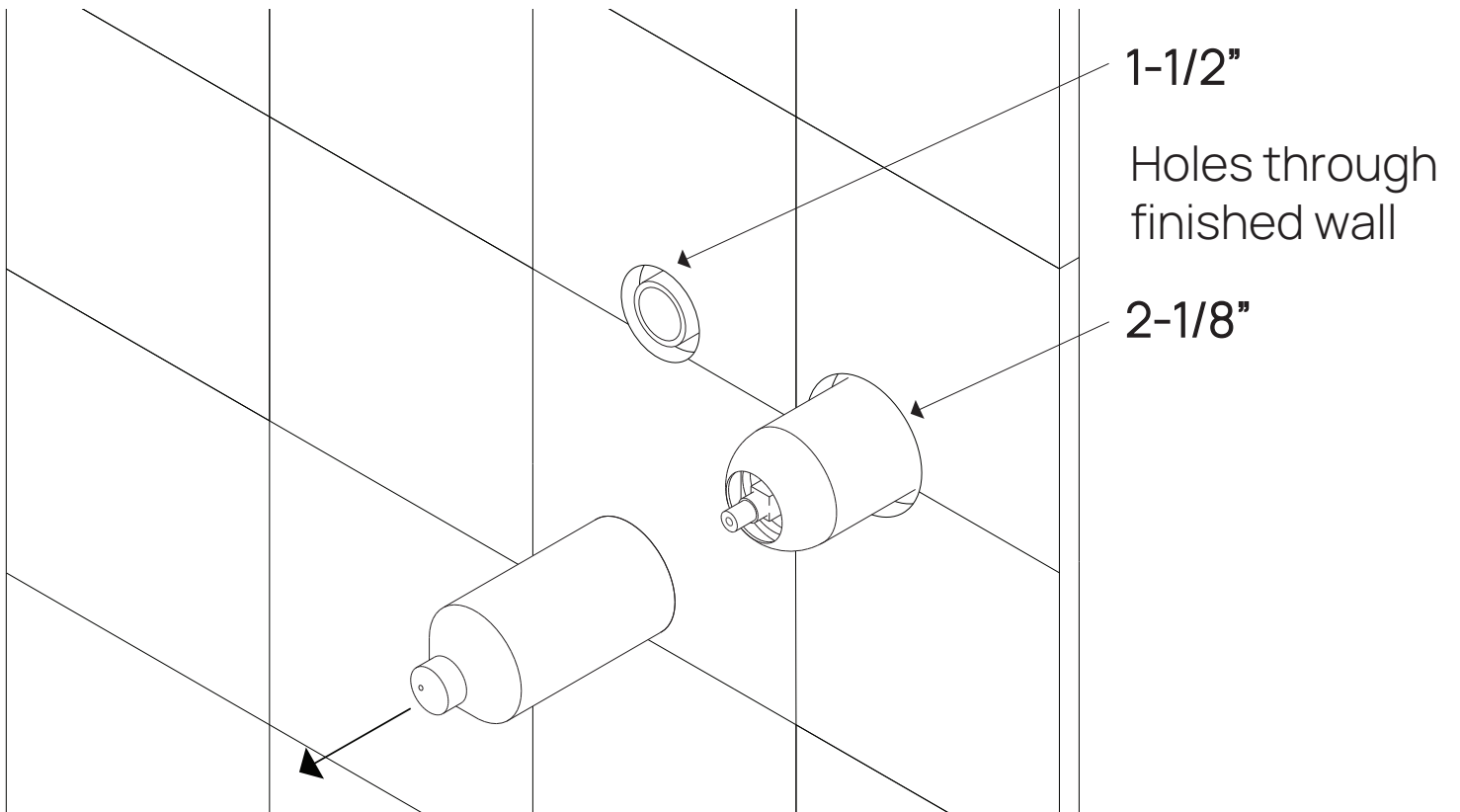
3

- Refer to the diagram once tiled. Ensure the finished wall surface is within the min and max measurements.



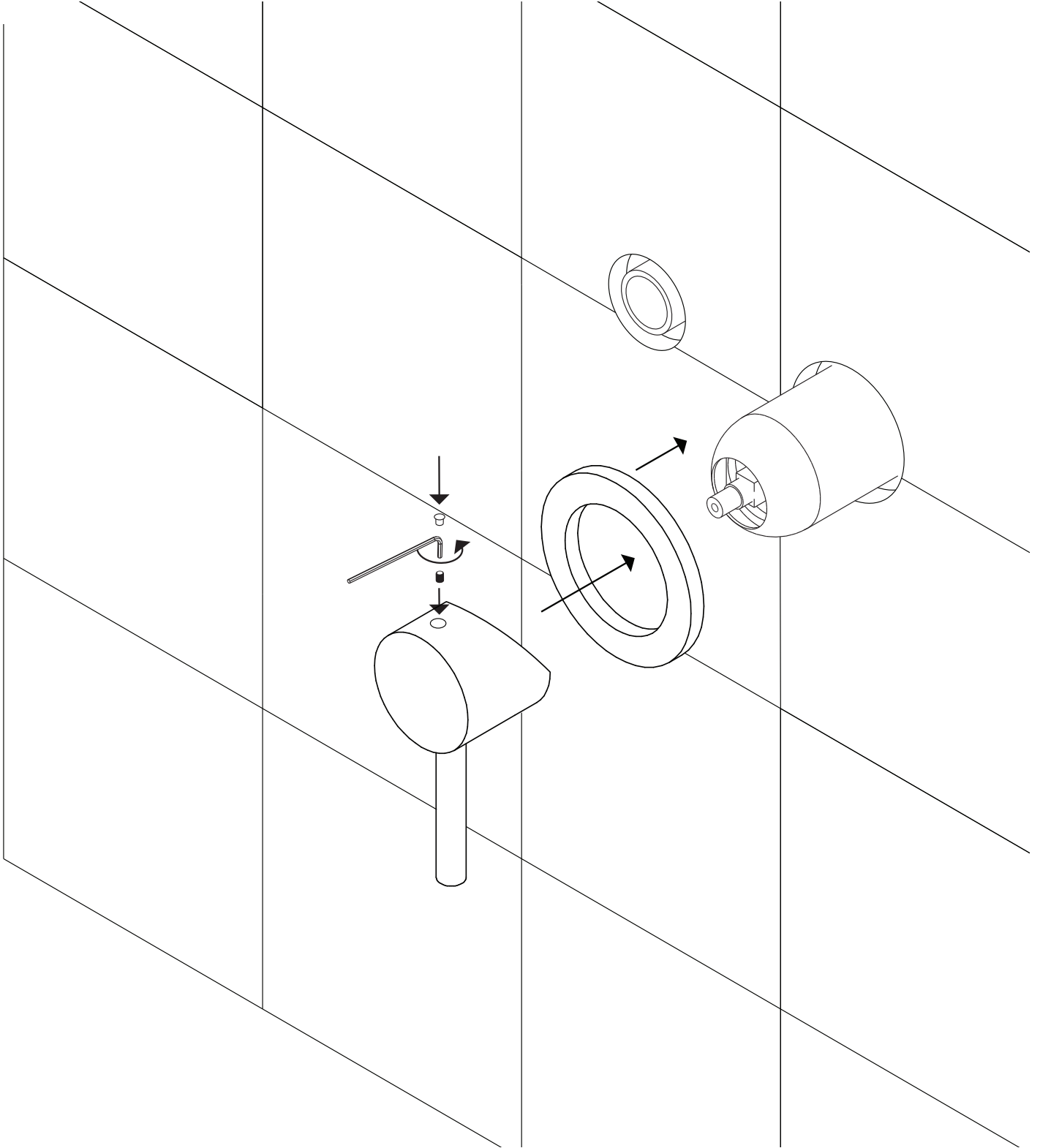
4

- Cut holes for the spout and control handle. Refer to the diagram for correct measurements.



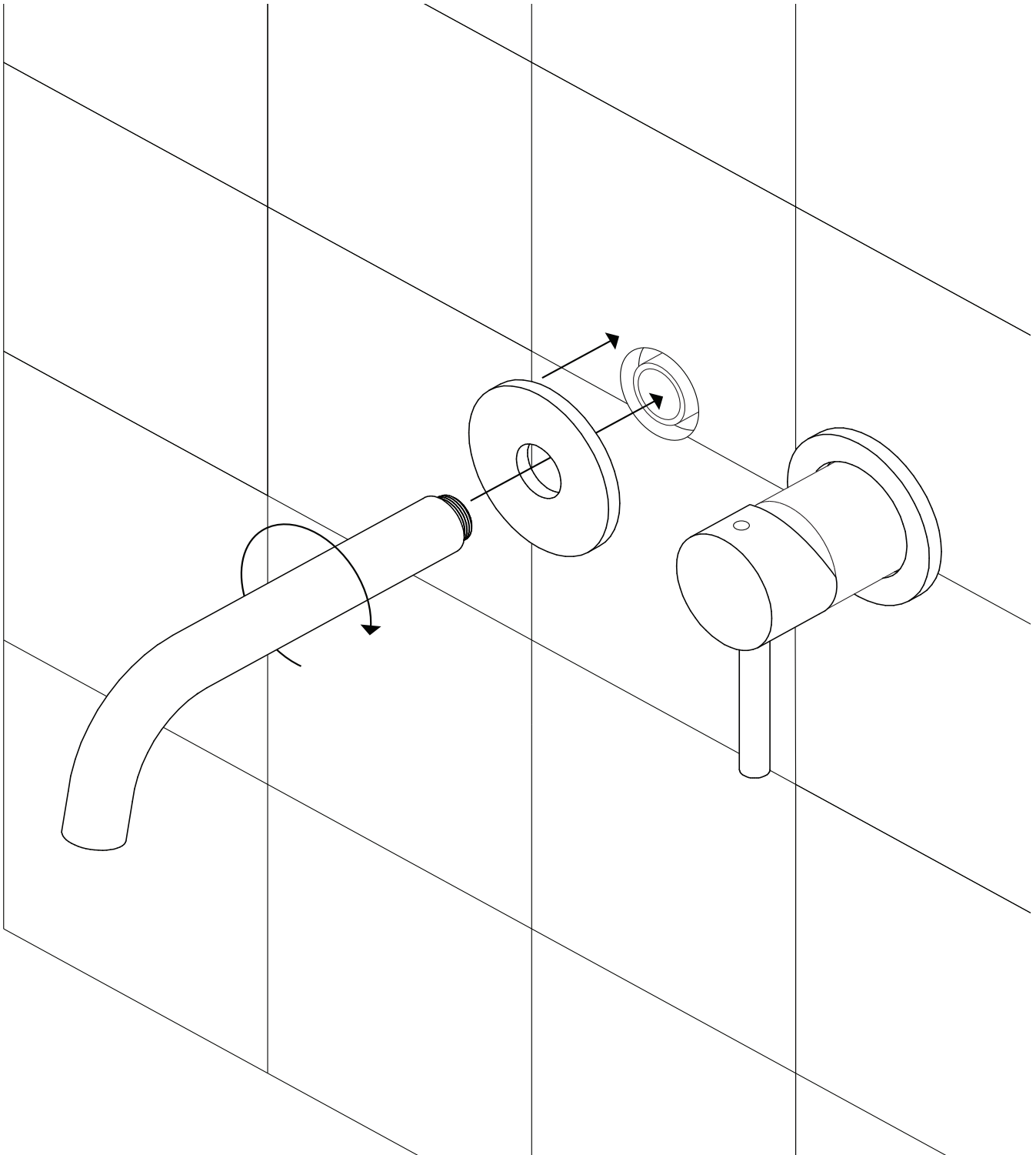
5

- Install the handle esuctcheon and control handle. Tighten the set screw to secure.



6

- Install the spout and backplate into the wall fitting. Tighten until secure.



That's it! Enjoy your new faucet. 🧐

Reach out to the team with any questions.

Text us on 505.456.5240

Email us at [customerservice@borhn.com](mailto:customerservice@borhn.com)

Enjoy your faucet!



Every Borhn product is characterized by a unique combination of timeless design, durable quality, and unrivalled craftsmanship.

Borhn.