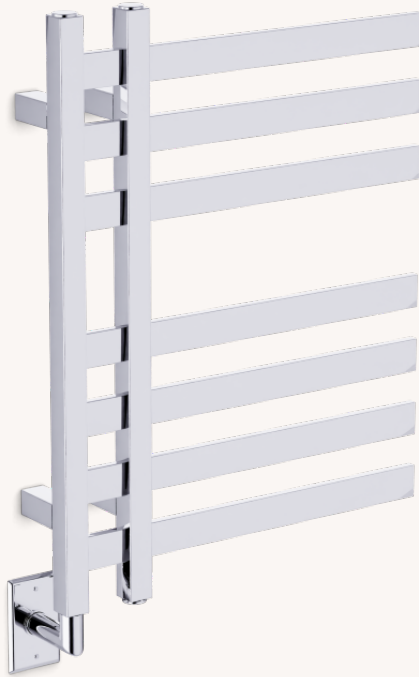


# Icon

## Small Towel Warmer



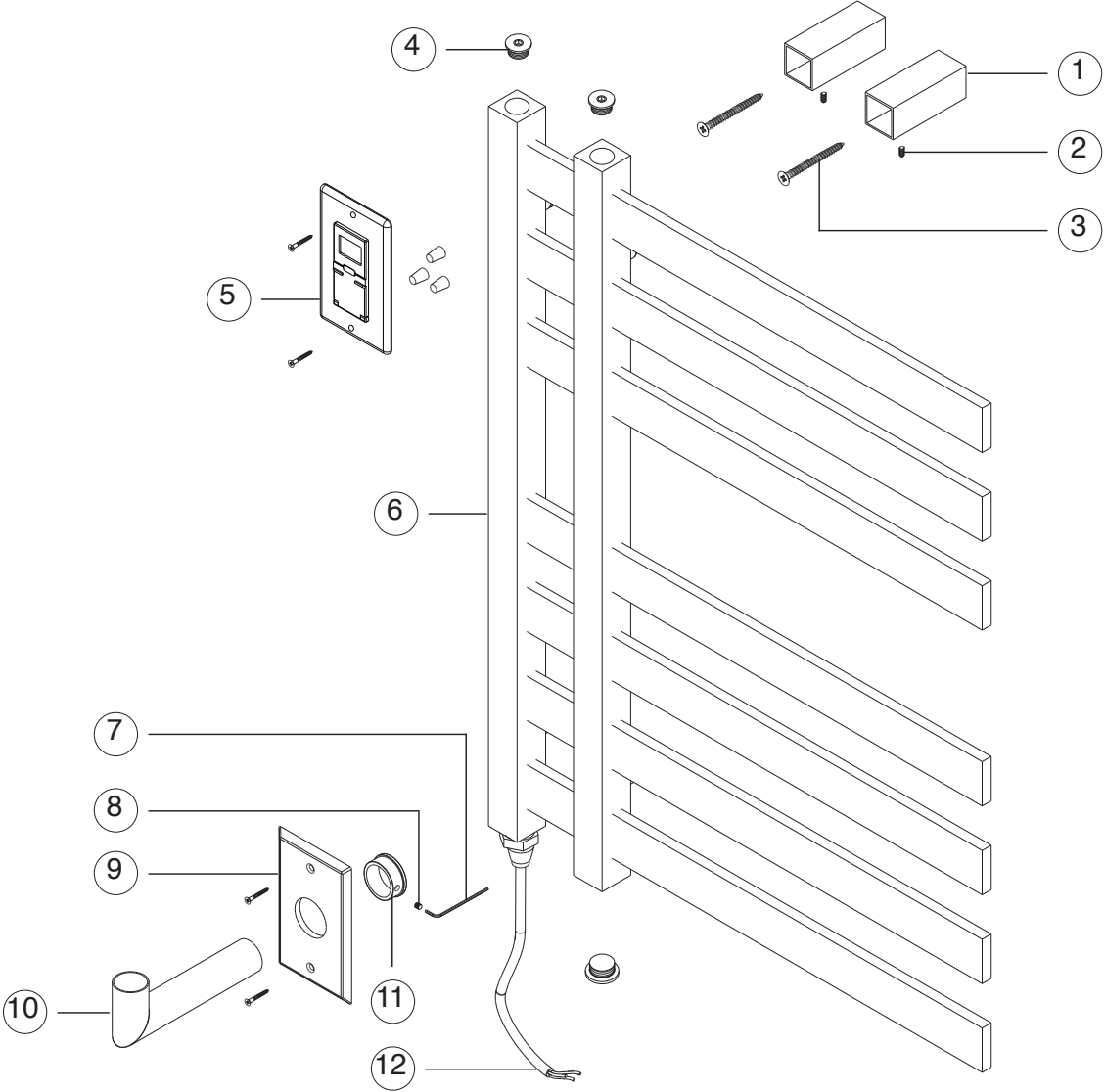
Borhn

to

be

different.

# Here's what you have.



- ① Wall Bracket (4)
- ② Bracket Set Screw (4)
- ③ Bracket Screw (4)
- ④ Blanking Cap (3)
- ⑤ Timer
- ⑥ Towel Warmer
- ⑦ Allen Wrench
- ⑧ Elbow Set Screw
- ⑨ Backplate
- ⑩ Elbow
- ⑪ Elbow Securing Sleeve
- ⑫ Element

# Product information.

## Features:

- Towel warming, drying and auxiliary heating.

## Element:

- 300W, 110V

## Requirements:

- The towel warmer must be installed so that the element is at the bottom

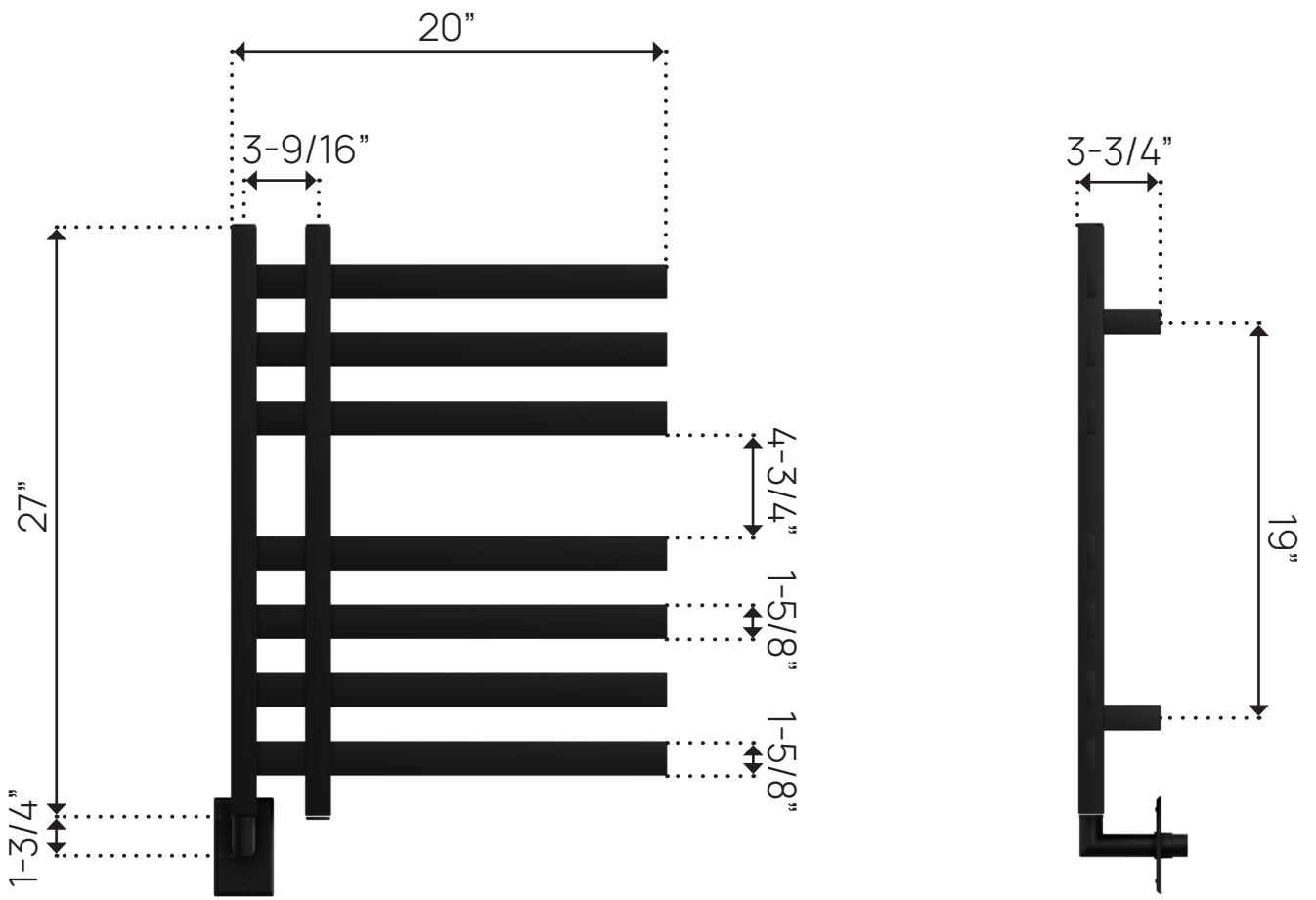
## Codes:

- UL Approved
- CSA-US Approved

## Available In:

Polished Chrome    Satin Nickel    Matte Black    Polished Nickel





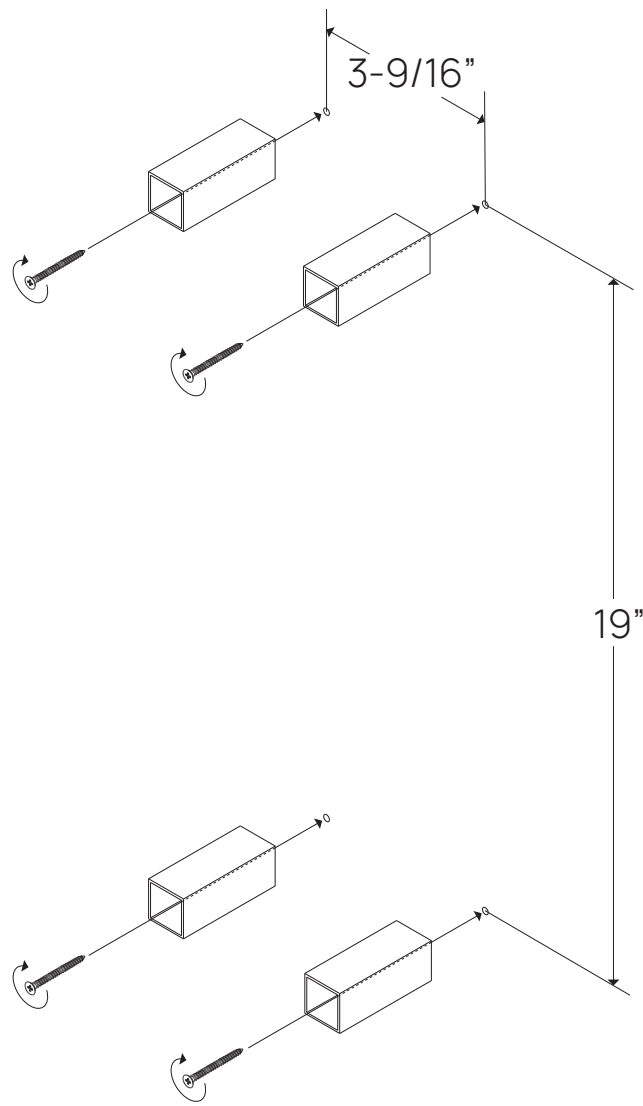
Bottom of frame  
to center of  
electrical box



1

- Install the mounting brackets into the wall.

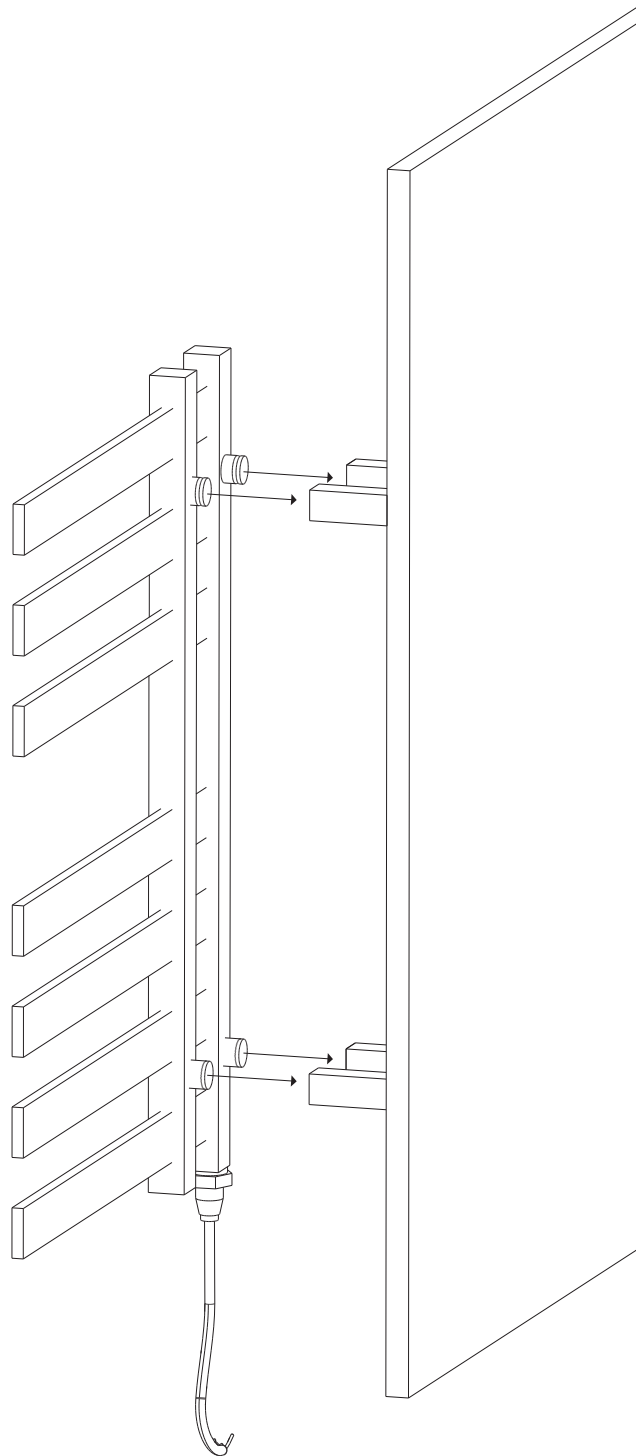
- We recommend that at least 2 of the wall brackets are secured into a stud or a backer.





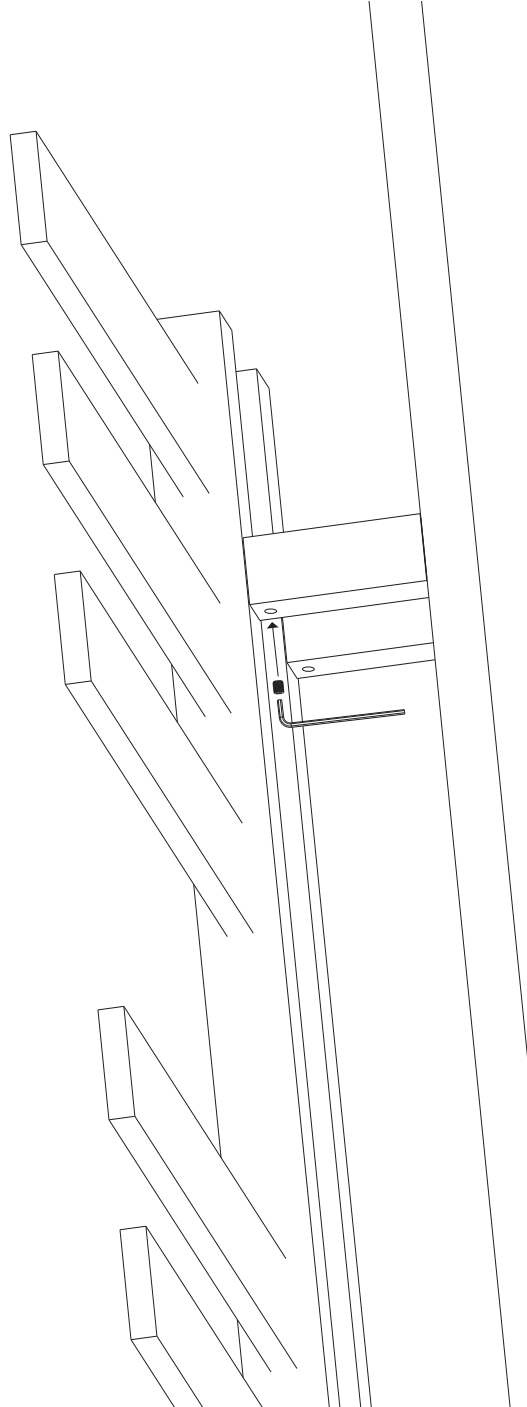
2

- Install the towel warmer onto the wall brackets.



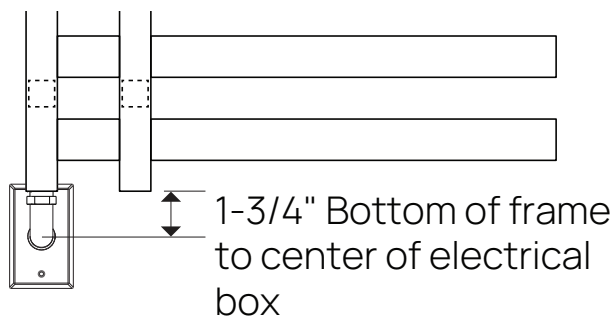
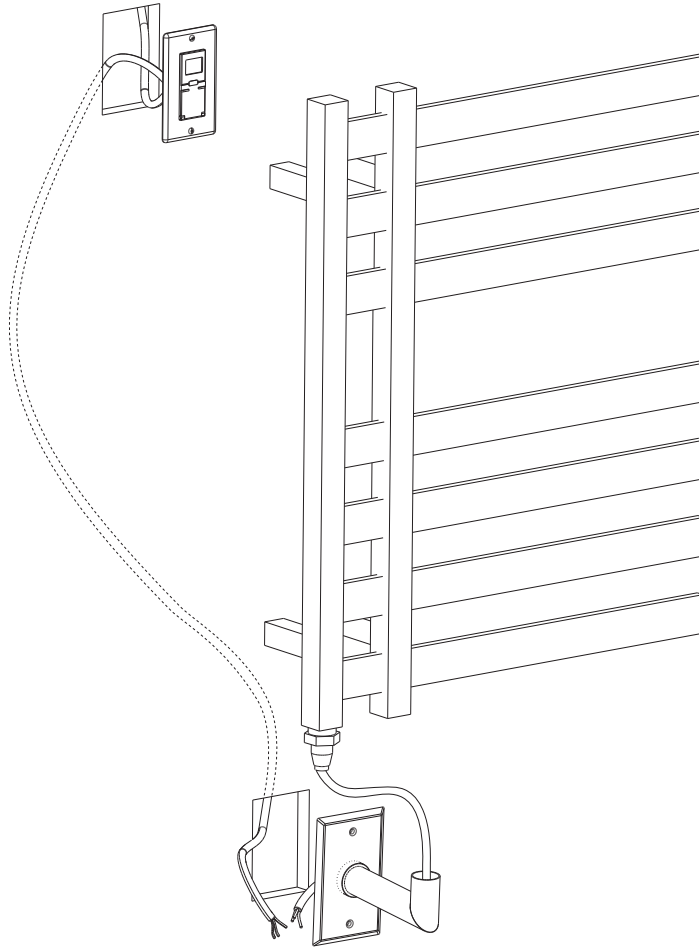
3

- Secure the towel warmer by tightening the set screws, 1 per bracket.



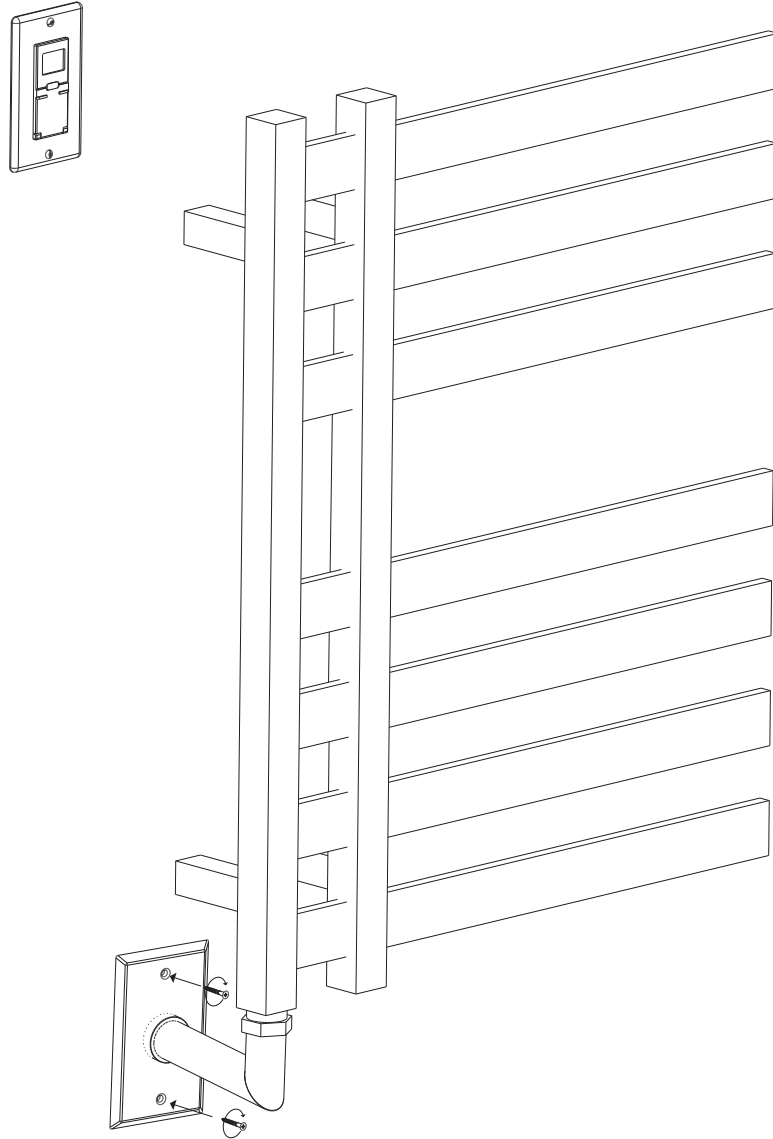
4

- Ensure the power is off. Connect the corresponding wires from the towel warmer element to the programmable timer. Always consult a professional if unsure.



5

- Secure the hardwire kit.



That's it! Enjoy your new towel warmer.



Reach out to the team with any questions.

Text us on 505.456.5240

Email us at [customerservice@borhn.com](mailto:customerservice@borhn.com)

Enjoy your towel warmer!





Every Borhn product is characterized by a unique combination of timeless design, durable quality, and unrivalled craftsmanship.

Borhn.