

Meridian

Touch Sense Kitchen Faucet



Borhn.

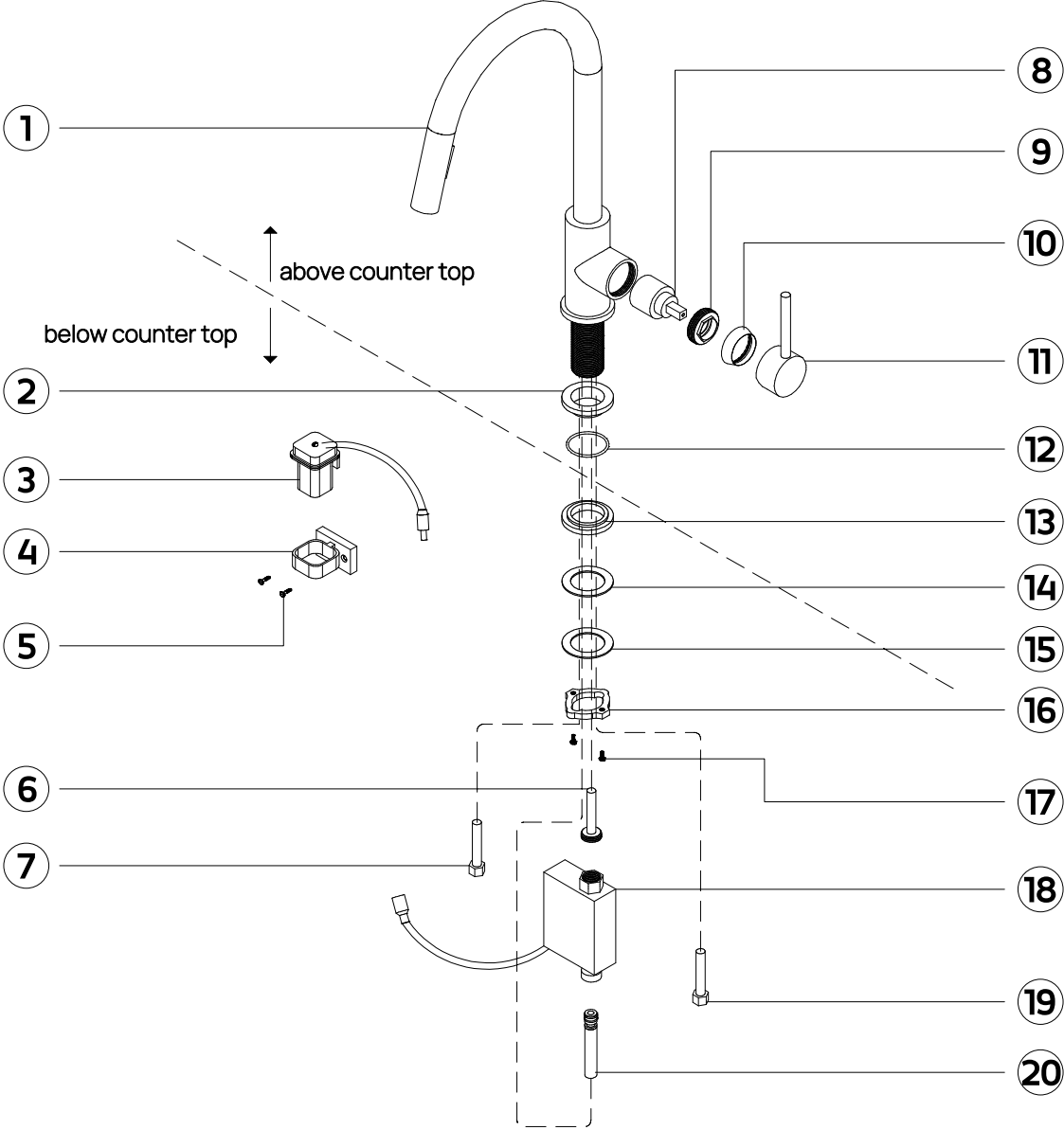
Borhn

to

be

different.

Here's what you have.



- ① Faucet Body
- ② Top Insulating Washer*
- ③ Battery Box
- ④ Battery Box Holder
- ⑤ Battery Box Holder Screws (2)
- ⑥ Main Mixing Pipe
- ⑦ Hot Water Supply Hose
- ⑧ Cartridge
- ⑨ Cartridge Securing Nut
- ⑩ Dress Ring
- ⑪ Handle
- ⑫ Insulating Washer O-Ring*
- ⑬ Bottom Insulating Washer*
- ⑭ Rubber Washer
- ⑮ Metal Washer
- ⑯ Securing Nut
- ⑰ Securing Nut Screws (2)
- ⑱ Control Box
- ⑲ Cold Water Supply Hose
- ⑳ Mixed Water Supply Hose

*Components for Stainless Steel Sinks

Product information.

Operating Temperature:

- Maximum: 176°F

Operating Flow Rate:

- 1.8 gpm max (6.8L/min) at 60 psi

Cartridge:

- Ceramic disk cartridge

Standards:

- CUPC
- AB1953
- NSF/ANSI 61
- ADA for lever handle

Approvals:



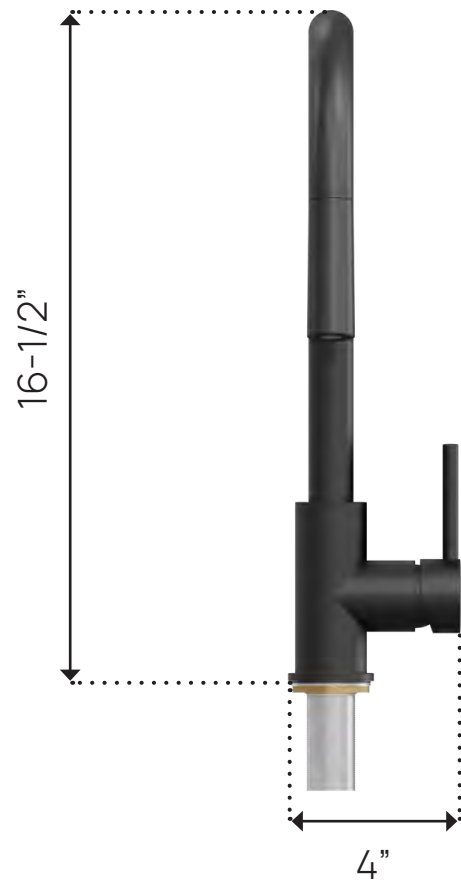
Countertop Measurements

- Max Thickness: 1-1/2"
- Hole Dimension (for stainless steel surfaces): 1-3/8"
- Hole Dimension (for non stainless steel surfaces): 1-3/4"

Available In:

Polished Chrome	Satin Nickel	Matte Black	Satin Brass
--------------------	-----------------	----------------	----------------



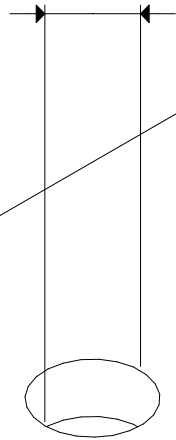


Important - please pay attention to this prior to installation

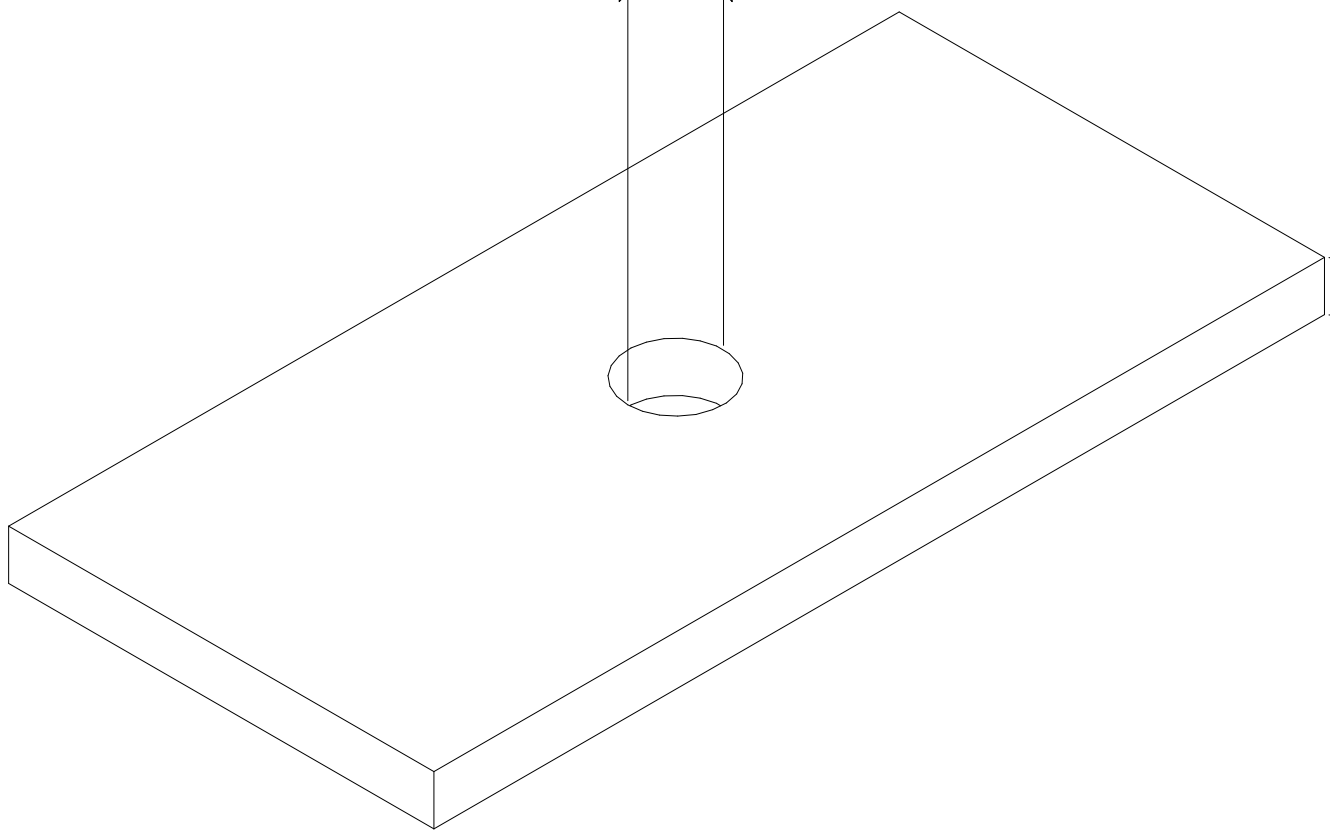
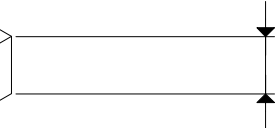
Diameter:

1-3/4" (for stainless steel sinks)

1-3/8" (for non stainless steel sinks)

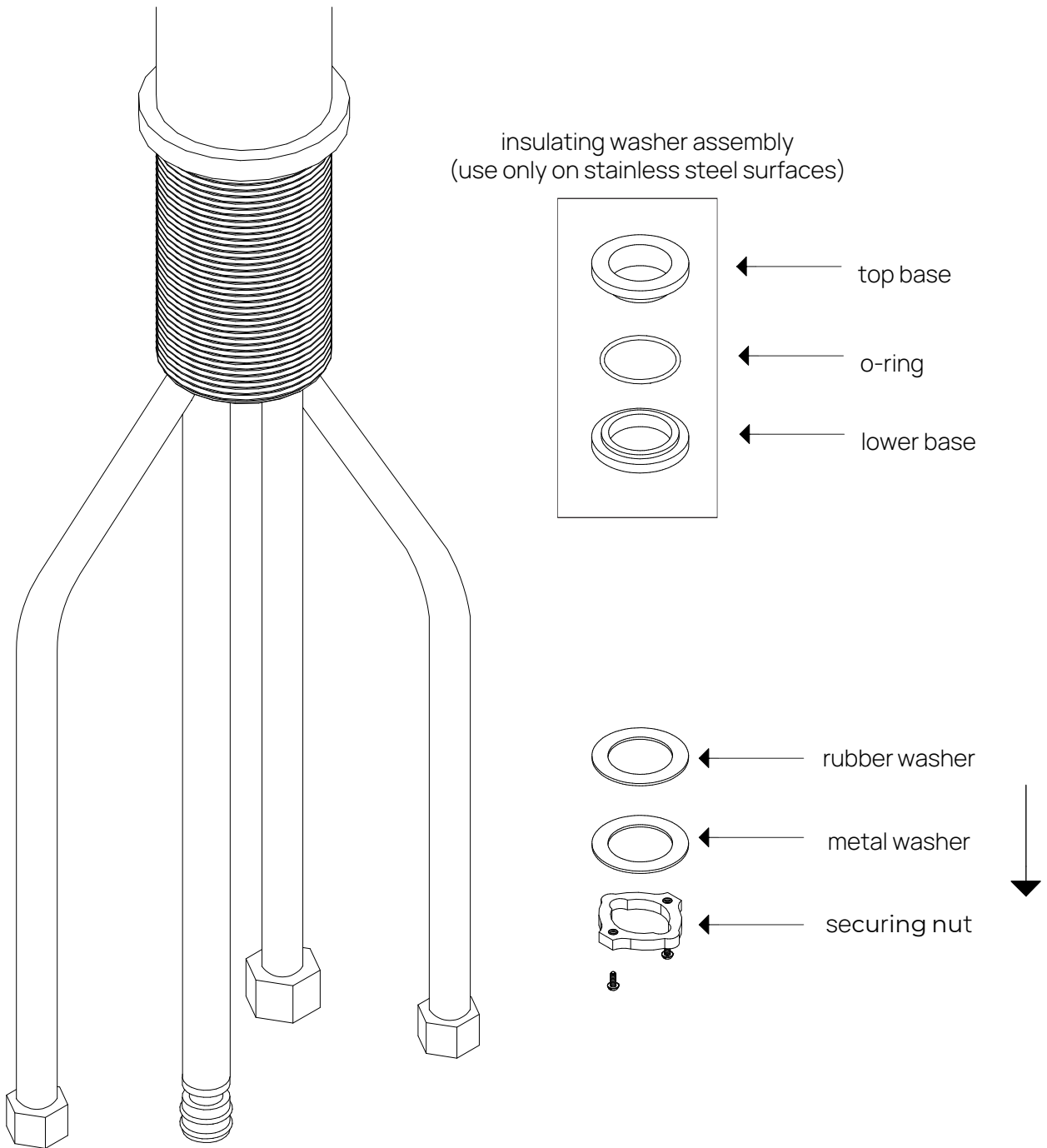


Max Thickness:
1-1/2"



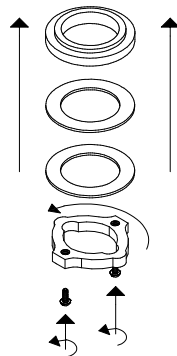
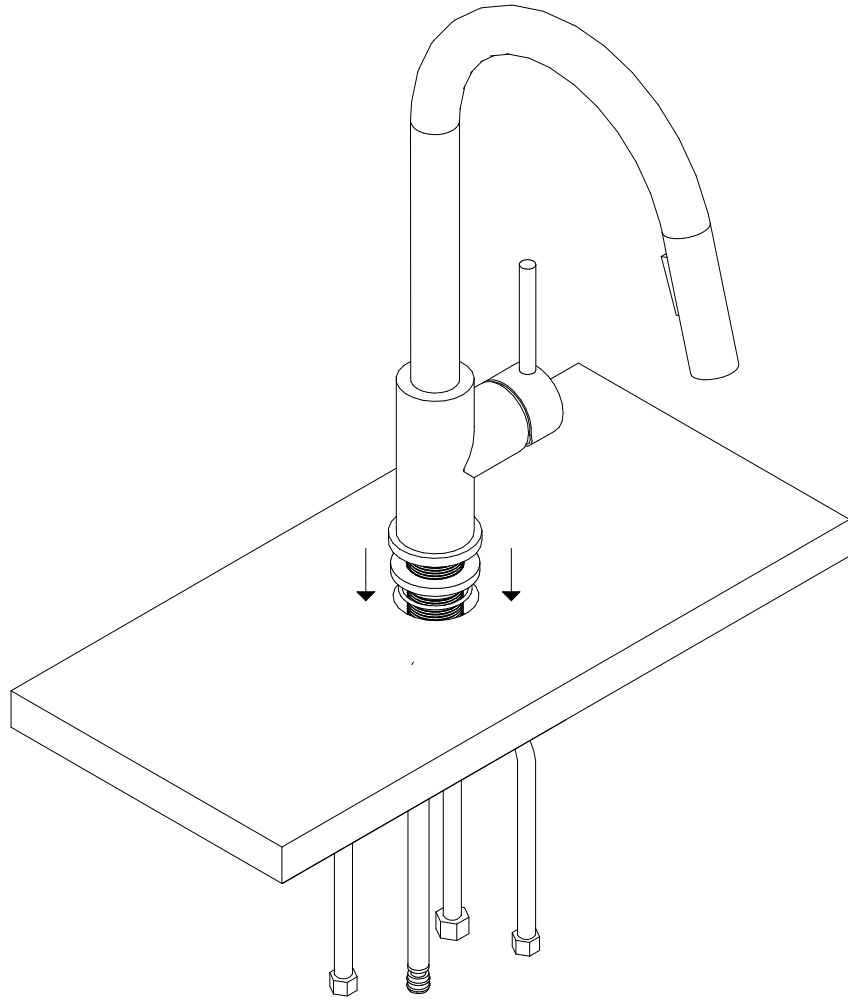
1

- Remove securing nut, metal washer, and rubber washer. If installing on a stainless steel surface, remove the insulating washer assembly from the packaging.



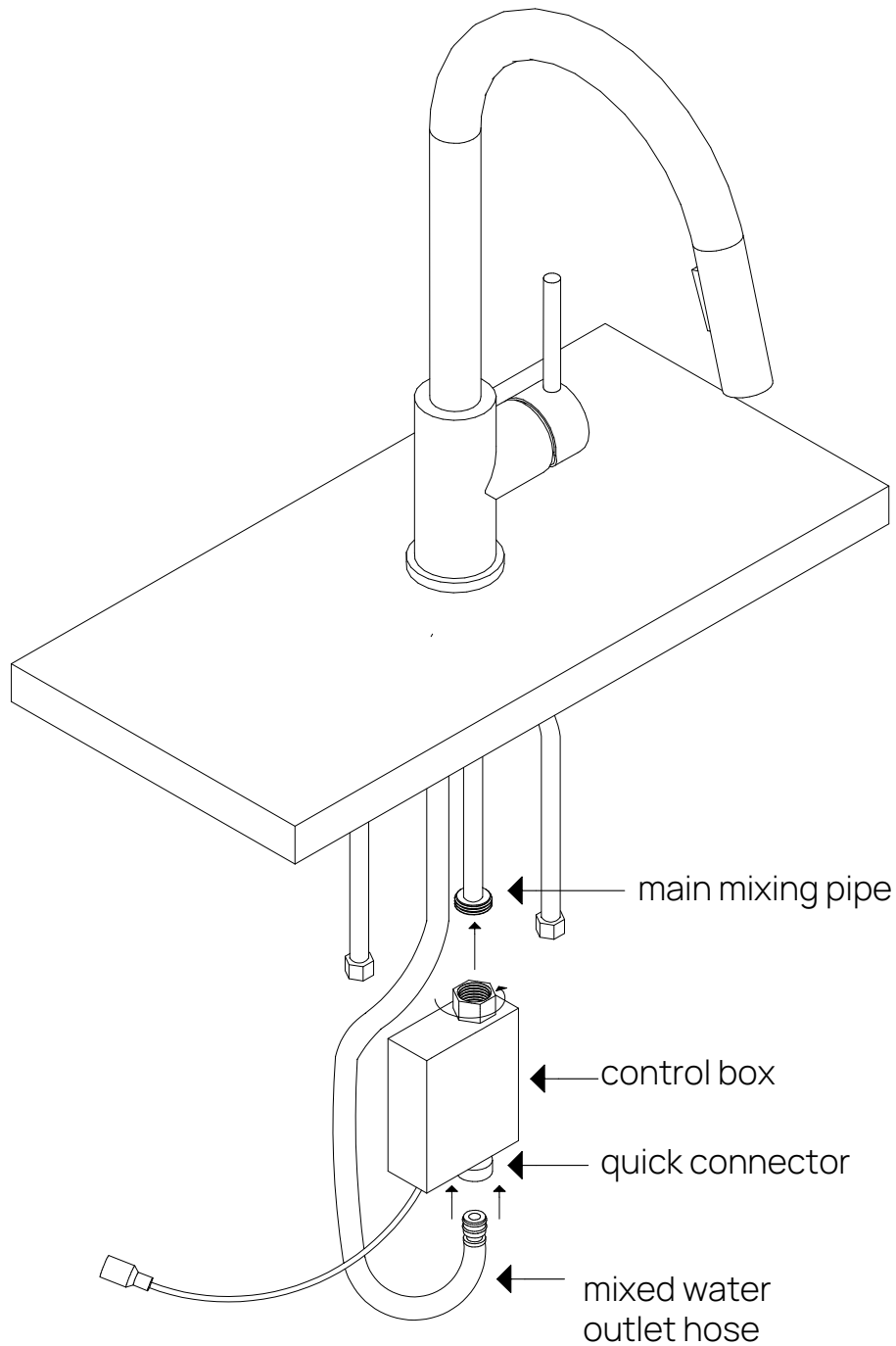
2

- Install the faucet through the countertop hole, install insulating washer assembly (stainless steel installs only), rubber washer, metal washer, and securing nut (hand tight). Tighten the securing nut screws with a screwdriver.



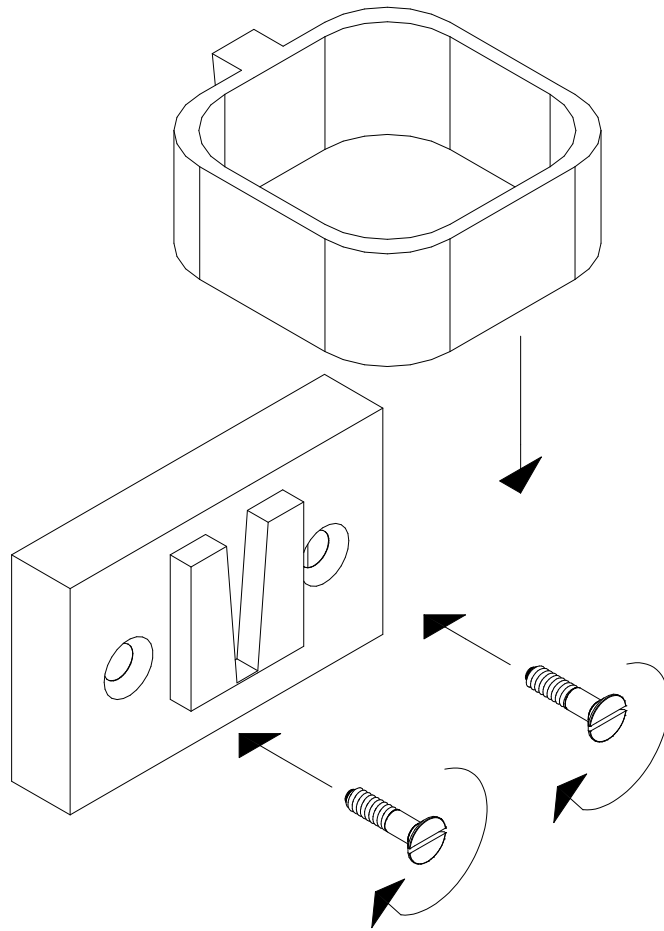
3

- Attach the control box to the main mixing pipe. Insert the mixed water outlet hose to the quick connector on the bottom. You should hear a satisfying *click*.



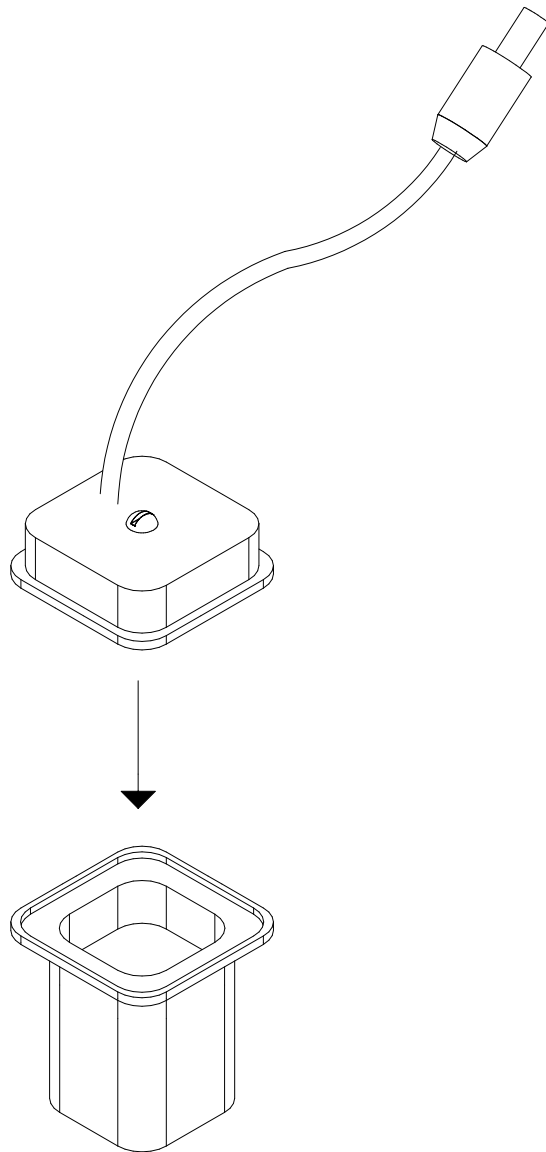
4

- Place the battery holder in an appropriate position on the wall. Fix in with screws.



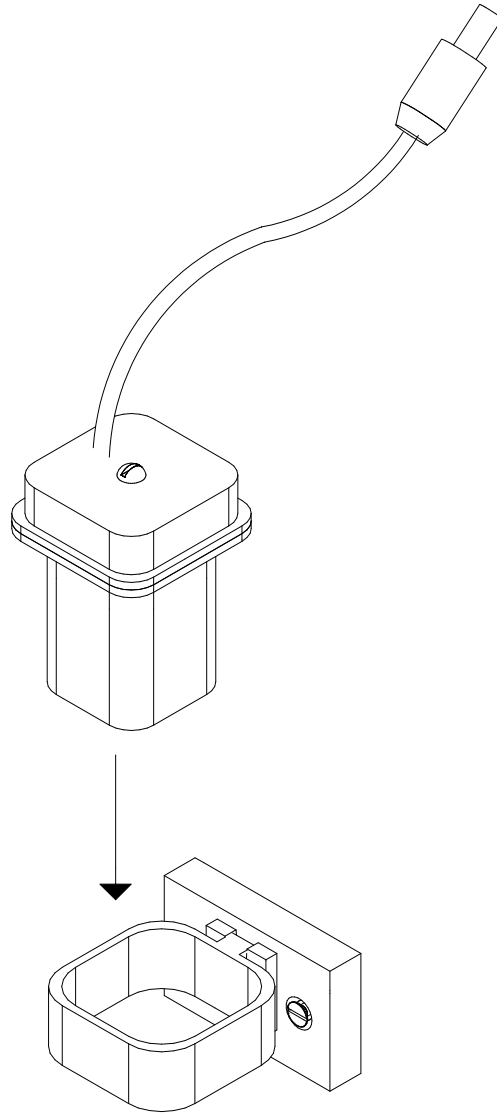
5

- Unscrew and remove battery box cover, install the batteries into the box and re-assemble.



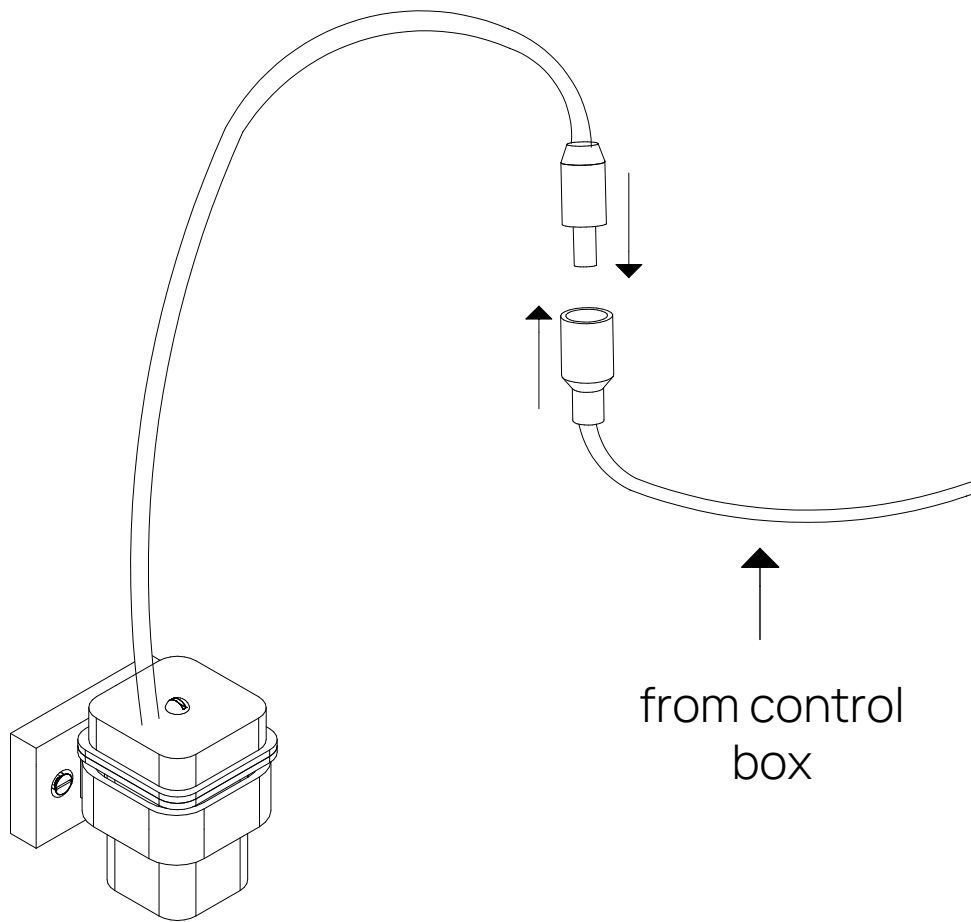
6

- Place the battery box into the battery box holder.



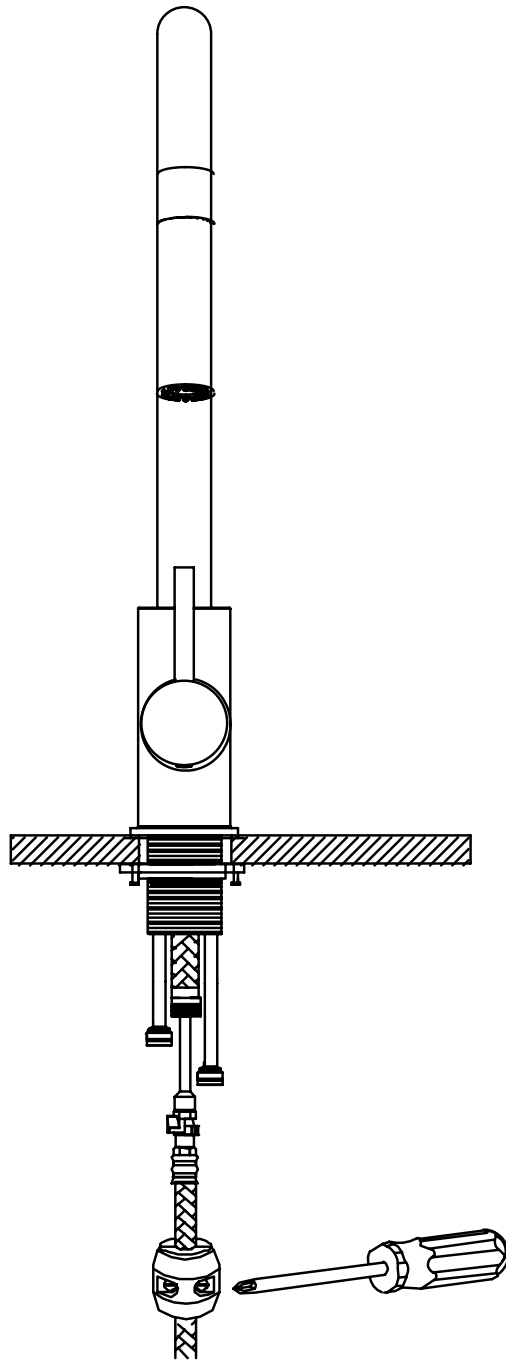
7

- Connect control box to the battery box.



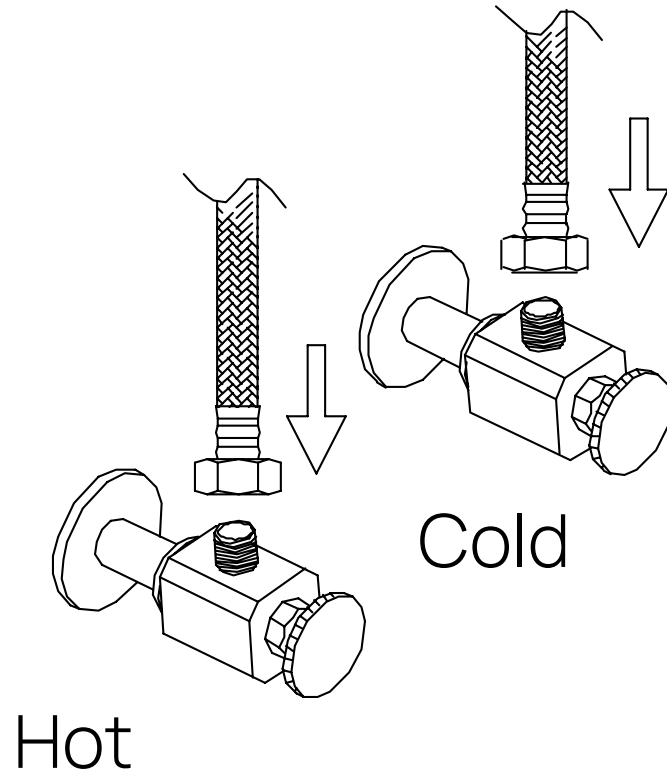
8

Install the counterweight. We recommend measuring 15 inches from the faucet body and installing onto the pull out hose at that point. Ensure the spray head pulls out easily and retracts smoothly. Adjust as needed.



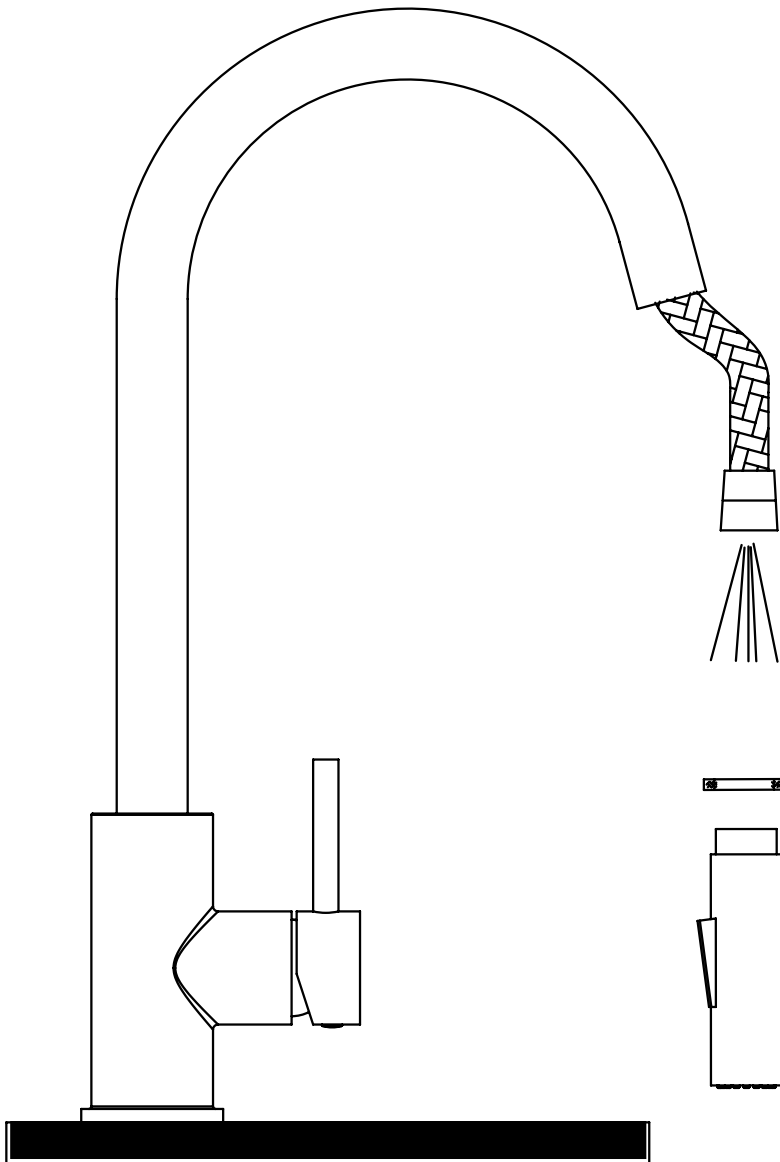
9

- Attach the flexible hoses to the water supply.



10

- Unscrew the pull-out spray head from the hose. Remove the nozzle screen.
- Turn on the faucet for 1 minute to flush out any debris from the hose and supply lines. Once tested and flushed, re-install the spray head and nozzle screen.



That's it! Enjoy your new faucet. 🧐

Reach out to the team with any questions.

Text us at: 505.456.5240

Email us at: customerservice@borhn.com

Enjoy your faucet!

Every Borhn product is characterized by a unique combination of timeless design, durable quality, and unrivalled craftsmanship.

Borhn.