

Prestige

Widespread Lav Faucet



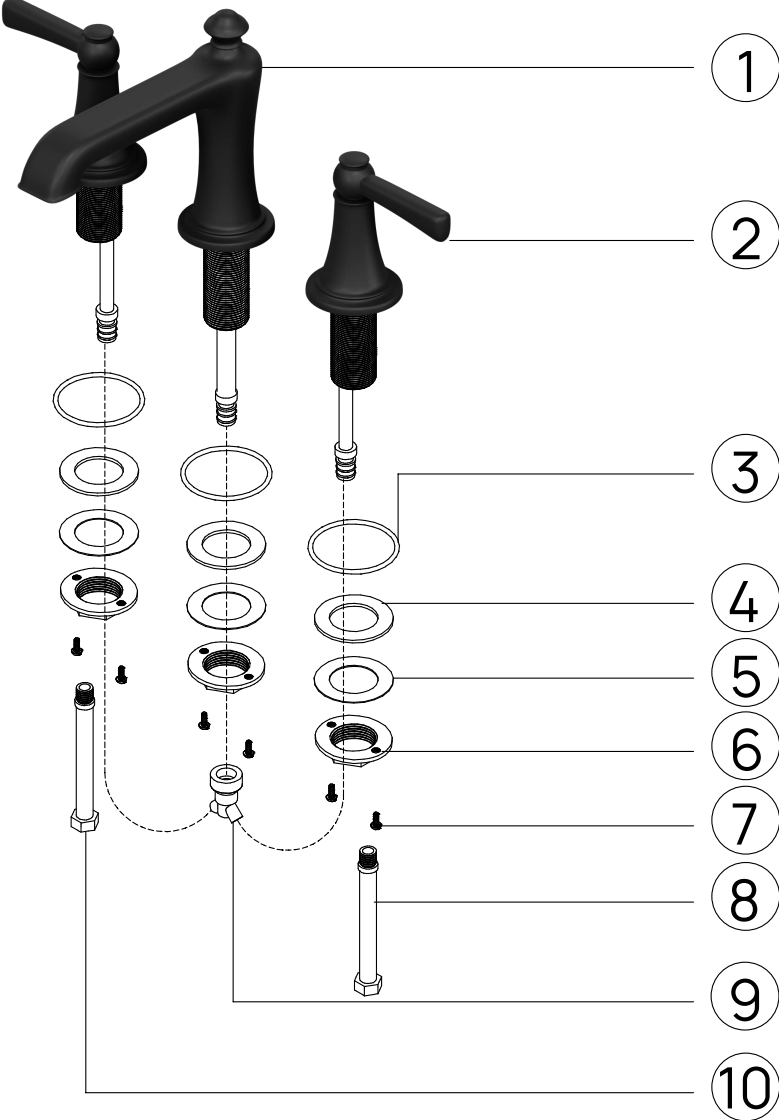
Borhn

to

be

different.

Here's what you have.



- ① Spout
- ② Control Handle Assembly (2)
- ③ O-Ring (3)
- ④ Rubber Washer (3)
- ⑤ Metal Washer (3)
- ⑥ Securing Nut (3)
- ⑦ Securing Nut Screws (6)
- ⑧ Cold Supply Hose
- ⑨ Mixing Hose
- ⑩ Hot Supply Hose

Product information.

Operating Temperature:

- Maximum: 176°F

Operating Flow Rate:

- 1.2 USGPM

Standards:

- CUPC
- AB1953
- NSF/ANSI 61
- ADA for lever handle

Approvals:



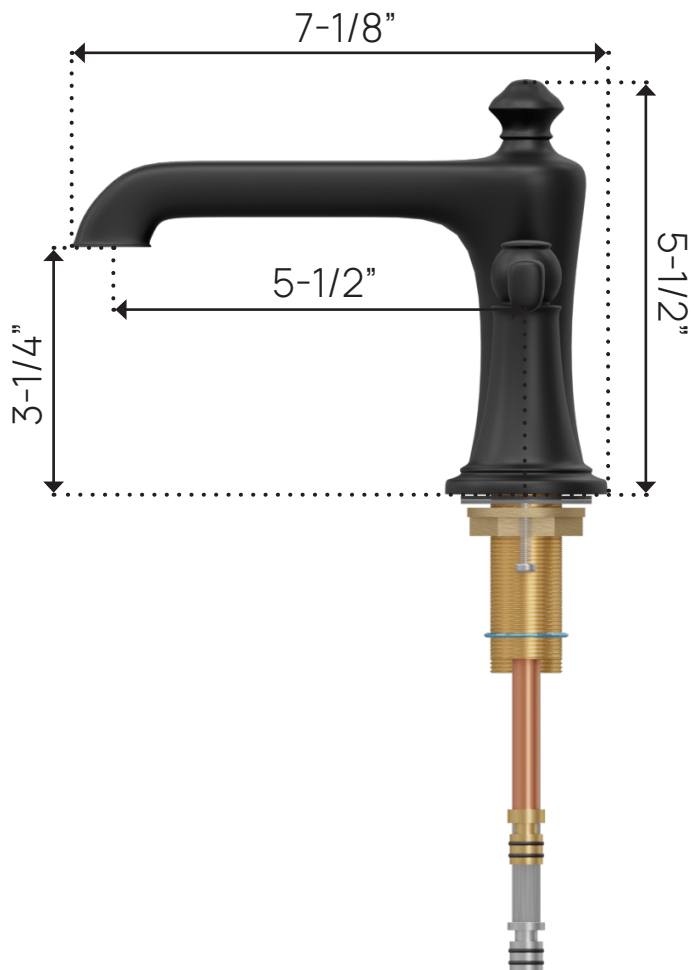
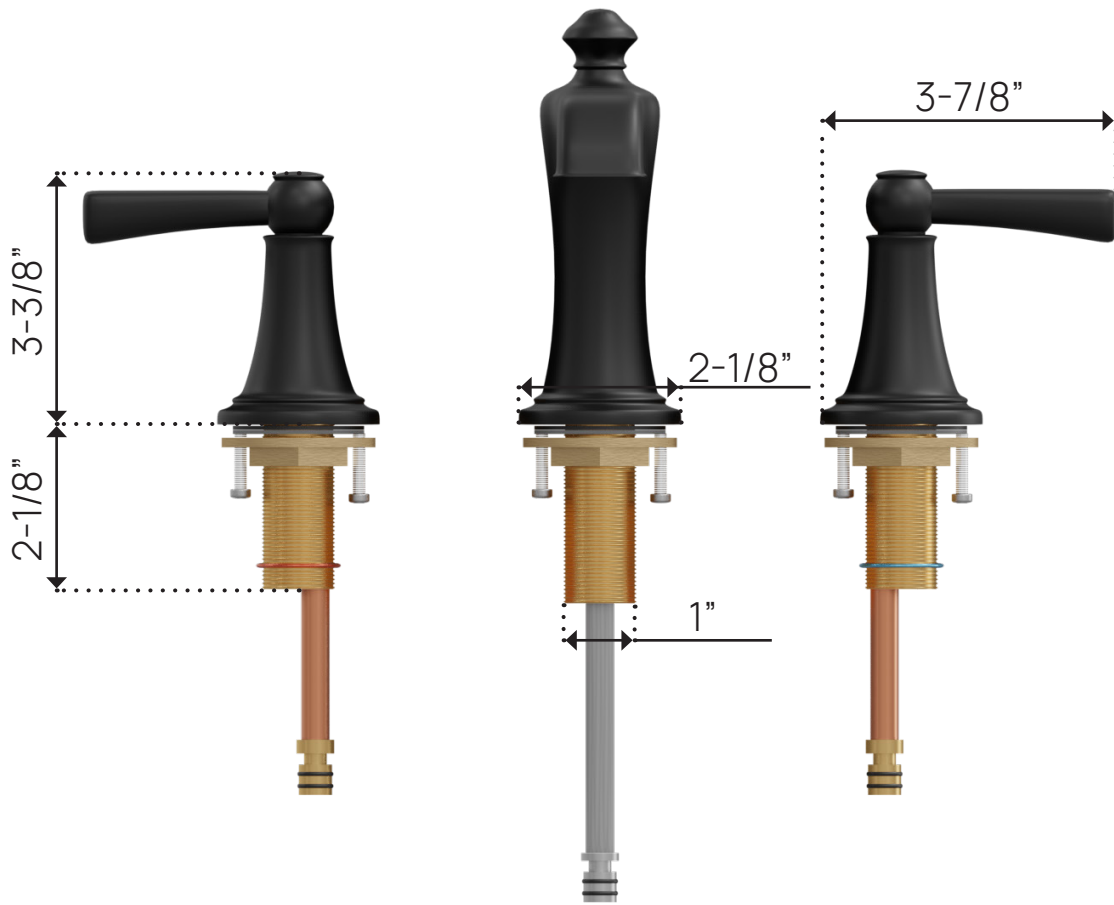
Countertop Measurements

- Max Thickness: 1-3/4"
- Hole Dimension: 1-3/8"

Available In:

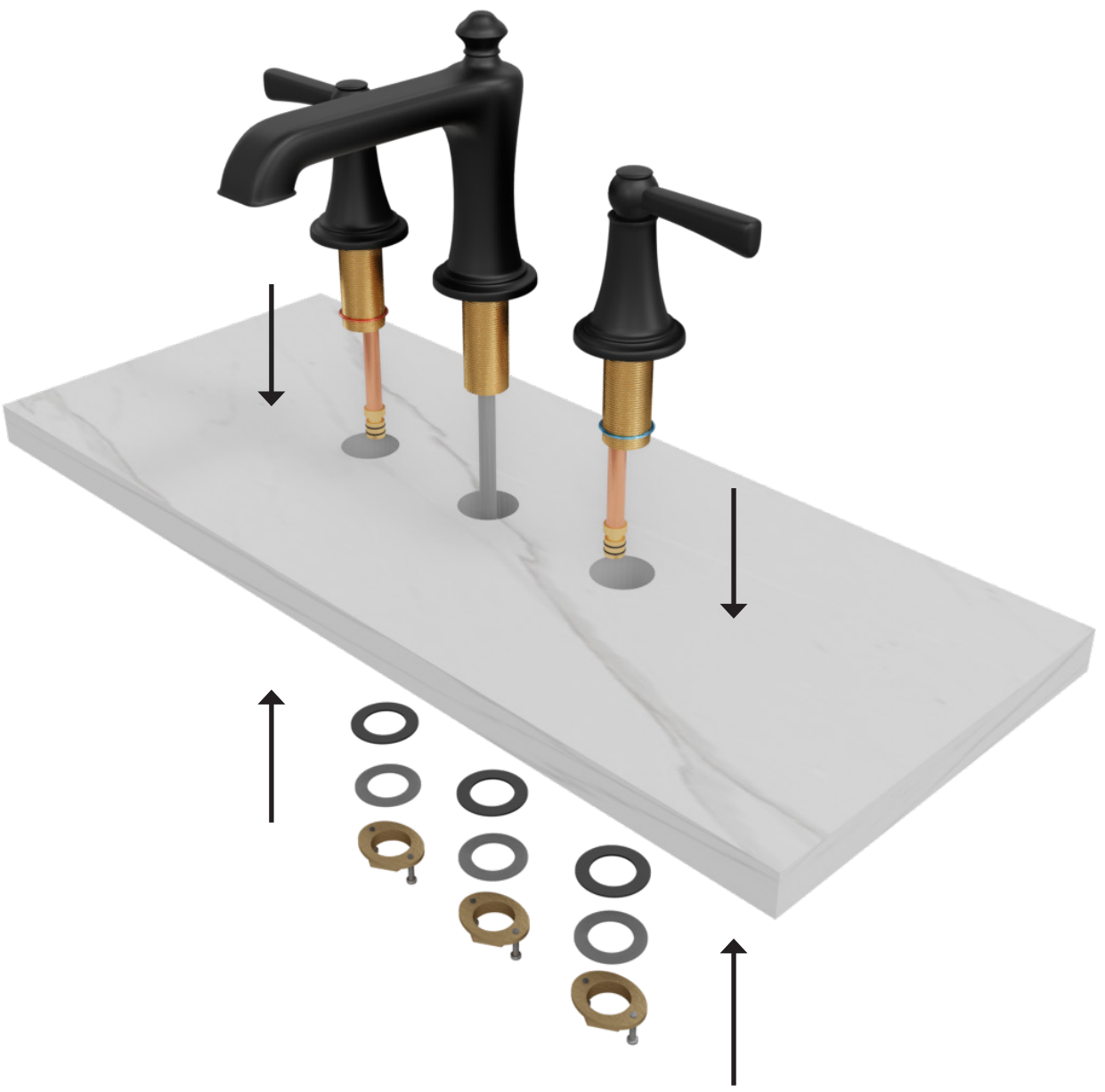
Polished Chrome Satin Nickel Matte Black Satin Brass Polished Nickel





1

- Install faucet and control handles through the 1-3/8" holes
- Install rubber washer, metal washer and securing nut below the countertop.



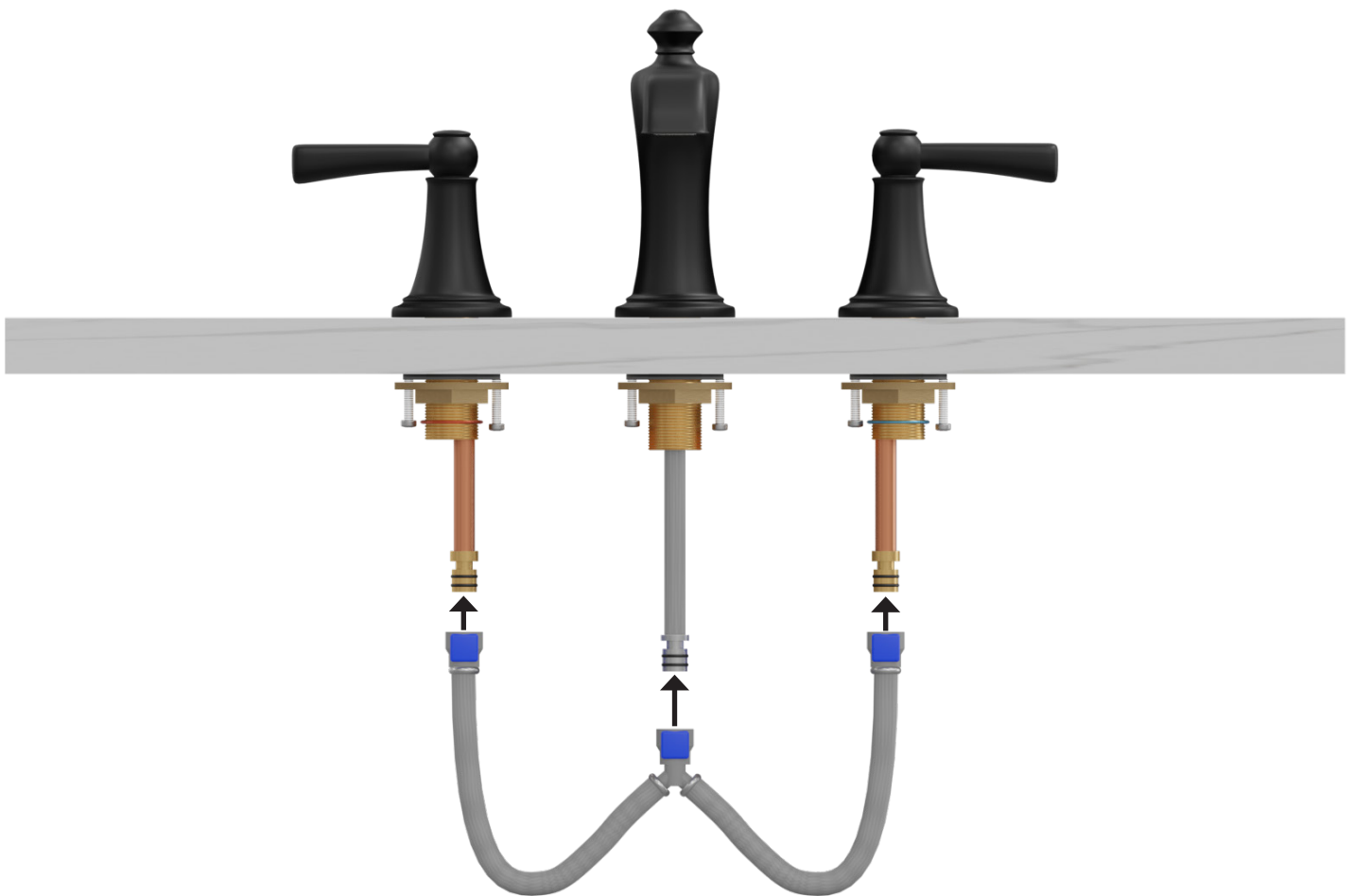
2

- Secure the faucet. Hand tighten the securing nuts and use a screwdriver to tighten the securing nut screws.



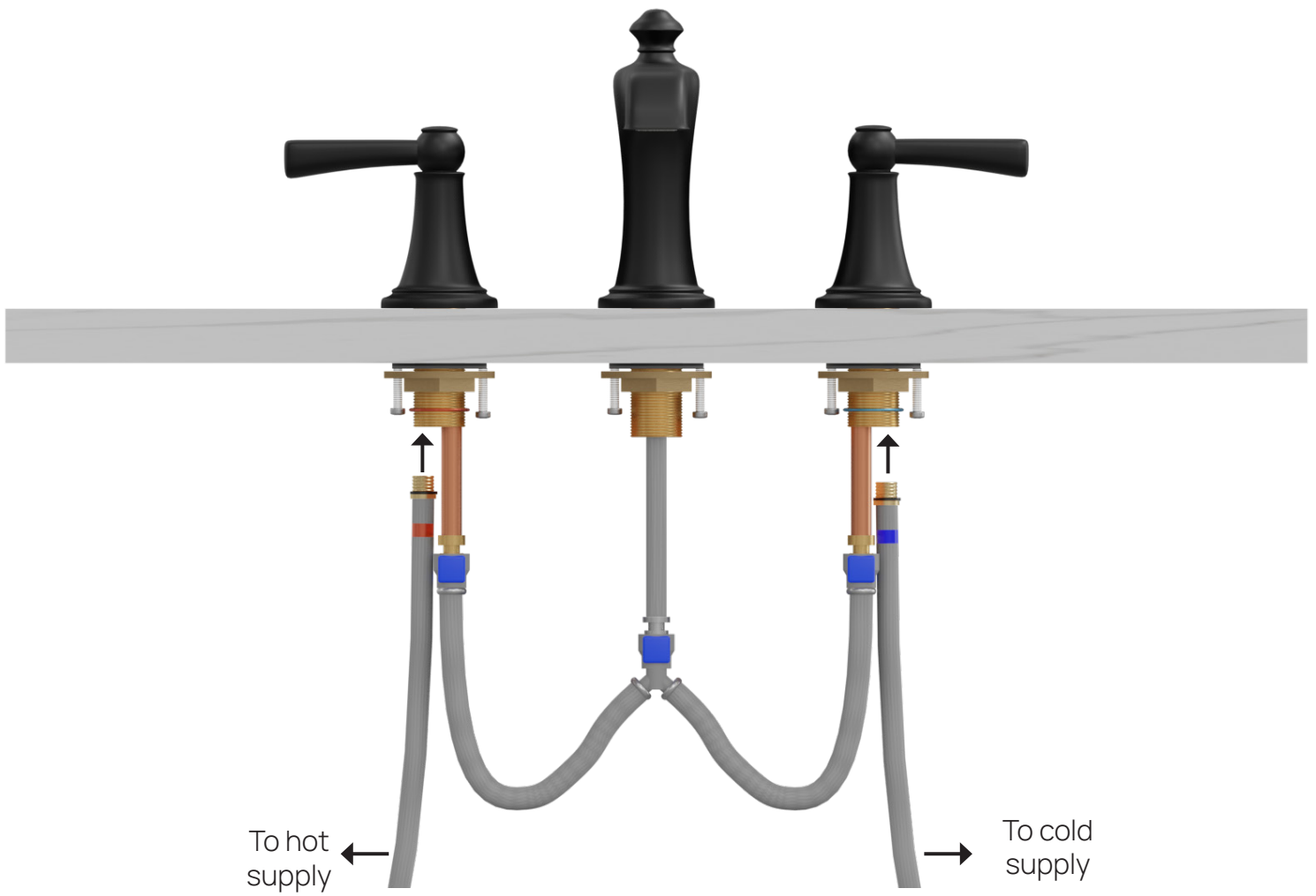
3

- Attach the mixing hose. Push the quick connect onto the spout hose and control handle connections. You should hear a satisfying *click*.



4

- Attach and tighten the male end of the supply hoses to the corresponding control handles. Attach and tighten the female end to the water supply lines.



5

- Unscrew the aerator and remove.

- Turn on the faucet for 1 minute to flush out any debris from the hose and supply lines. Once tested and flushed, re-install the aerator.



That's it! Enjoy your new faucet. 🧐

Reach out to the team with any questions.

Text us at: 505.456.5240

Email us at: customerservice@borhn.com

Enjoy your faucet!

Every Borhn product is characterized by a unique combination of timeless design, durable quality, and unrivalled craftsmanship.

Borhn.