

Meridian

Widespread Lav Faucet



Borhn.

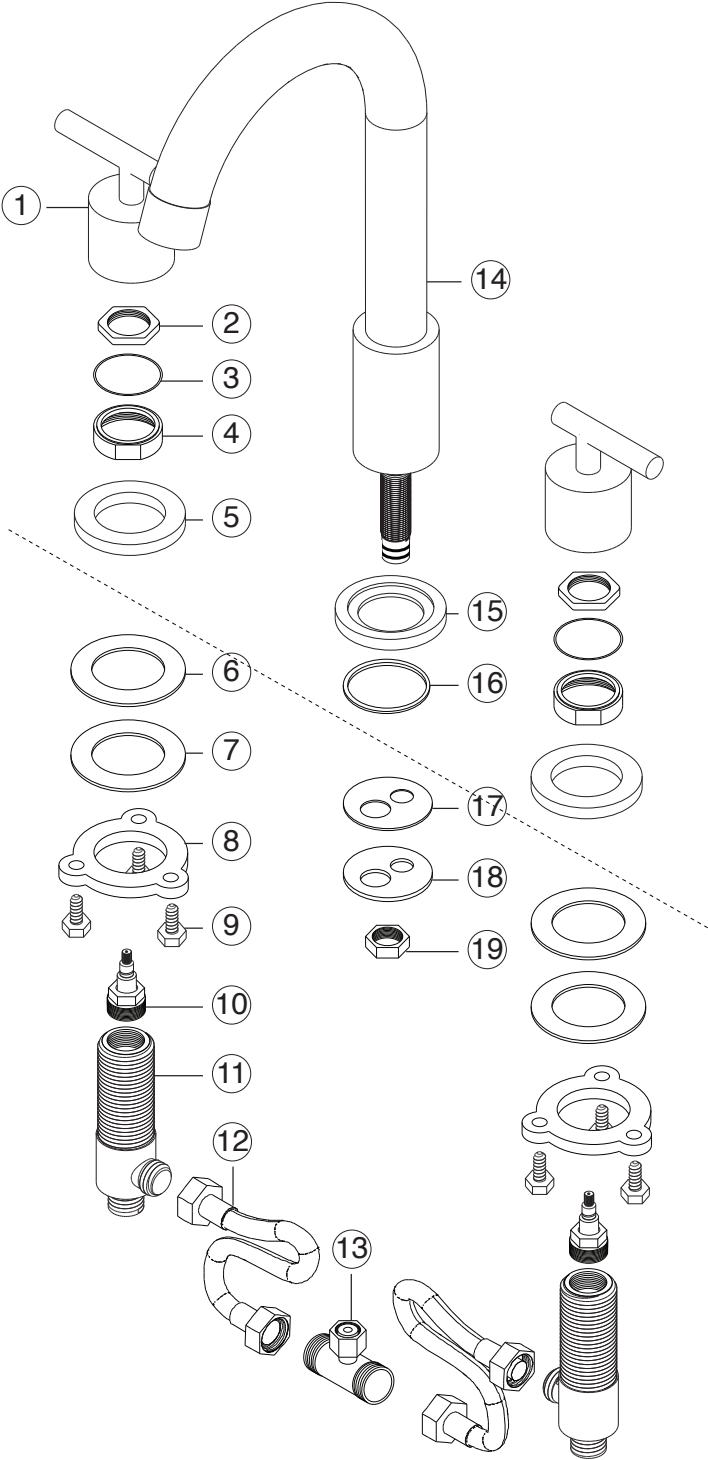
Borhn

to

be

different.

Here's what you have.



- ① Control Handle (2)
- ② Clamp Ring (2)
- ③ Handle Anti-Scold Ring (2)
- ④ Escutcheon Securing Nut (2)
- ⑤ Control Handle Escutcheon (2)
- ⑥ Control Valve Rubber Washer (2)
- ⑦ Control Valve Metal Washer (2)
- ⑧ Control Valve Securing Nut (2)
- ⑨ Control Valve Securing Nut Screws (6)
- ⑩ Cartridge (2)
- ⑪ Control Valve Body (2)
- ⑫ Connecting Hose (2)
- ⑬ Spout Tee Piece
- ⑭ Spout Body
- ⑮ Spout Escutcheon
- ⑯ Spout Deck Gasket
- ⑰ Spout Rubber Washer
- ⑱ Spout Metal Washer
- ⑲ Spout Securing Nut

Product information.

Operating Temperature:

- Maximum: 176°F

Operating Flow Rate:

- 1.2 USGPM

Standards:

- CUPC
- AB1953
- NSF/ANSI 61
- ADA for lever handle

Approvals:



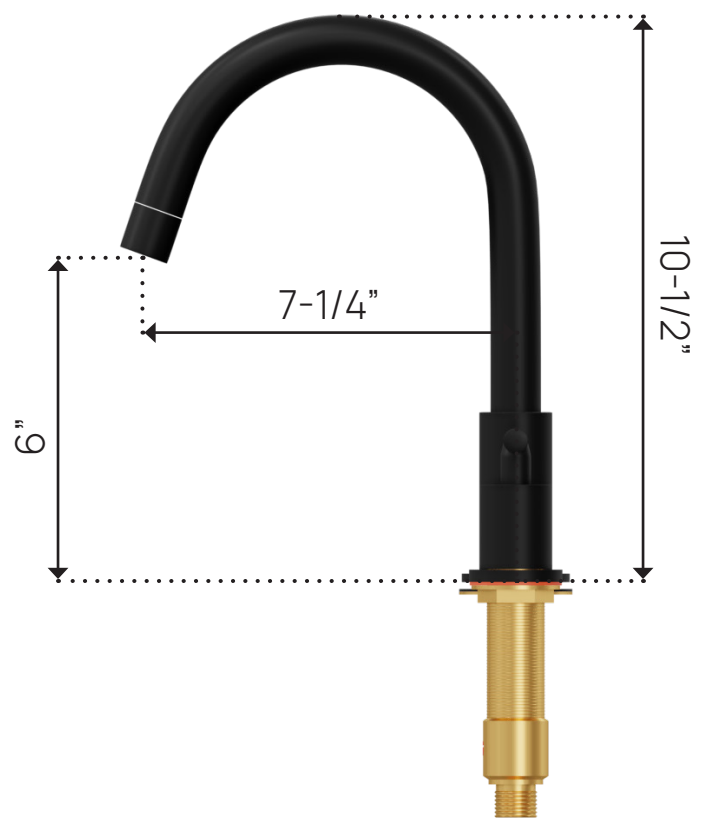
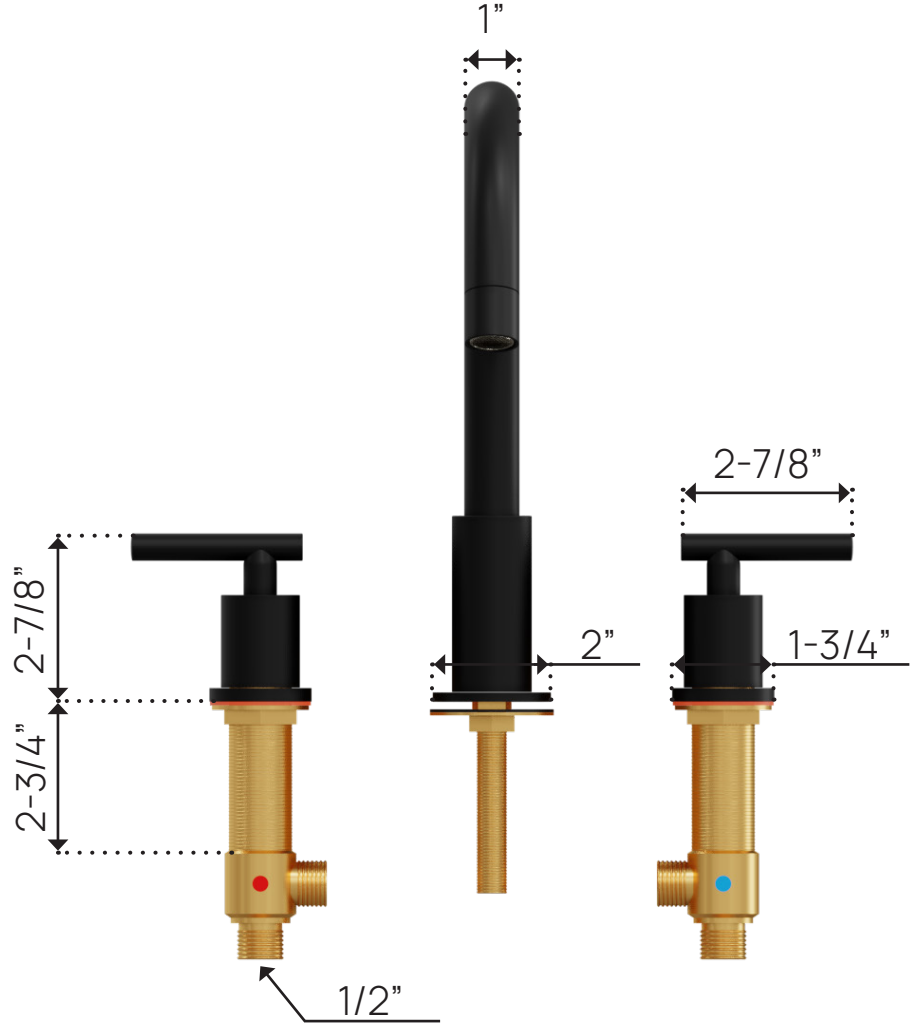
Countertop Measurements

- Max Thickness: 2-1/2"
- Hole Dimension: 1-3/8"

Available In:

Polished Chrome Satin Nickel Matte Black Satin Brass

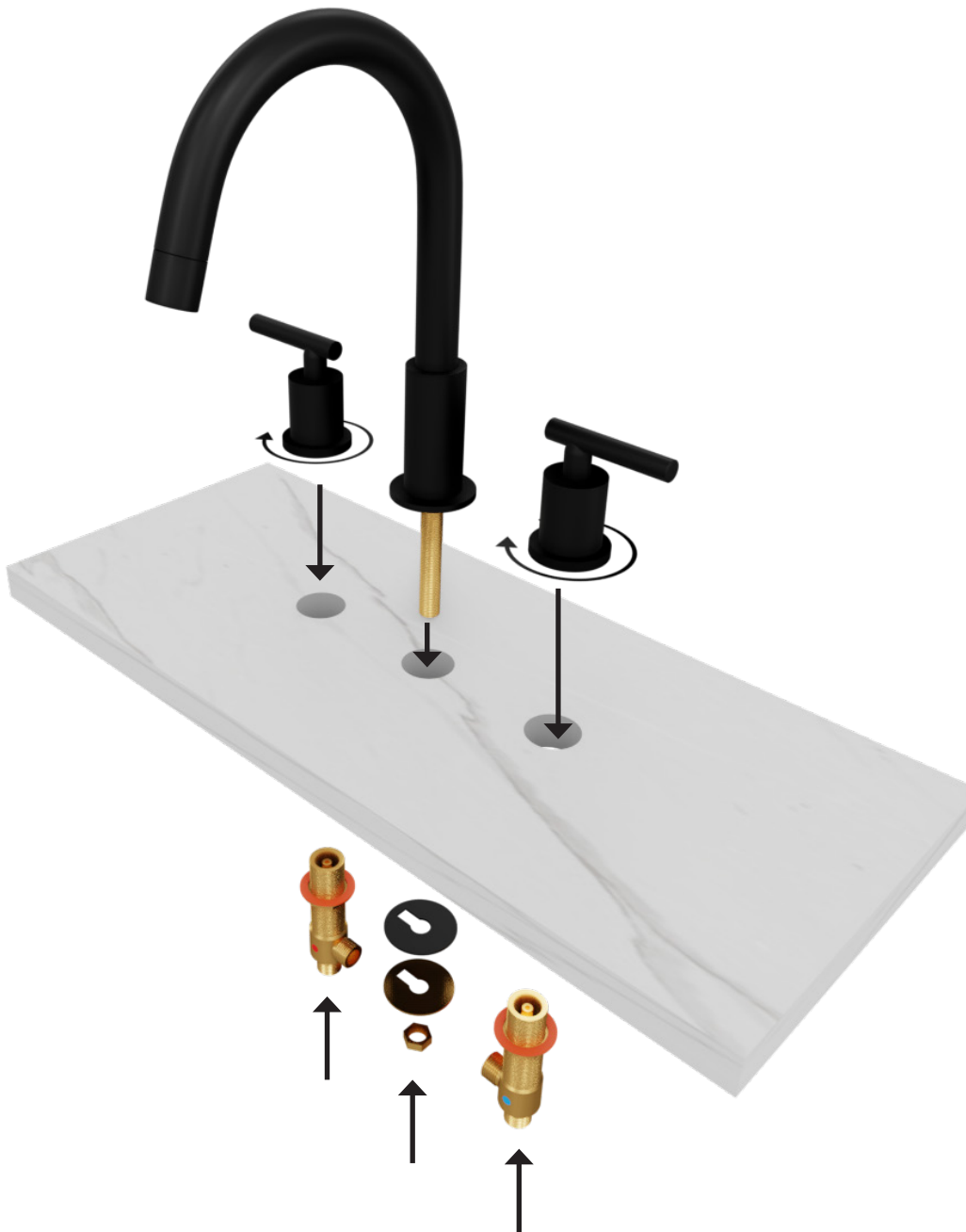




1

- Remove control handles from the valves. Install the handles and the spout through the 1-3/8" holes as shown. Install the control handle valves, washers, and securing nuts below the surface.

- Hand tighten the control handles onto the corresponding valve.



2

- Secure the faucet and handles by tightening the securing nuts.



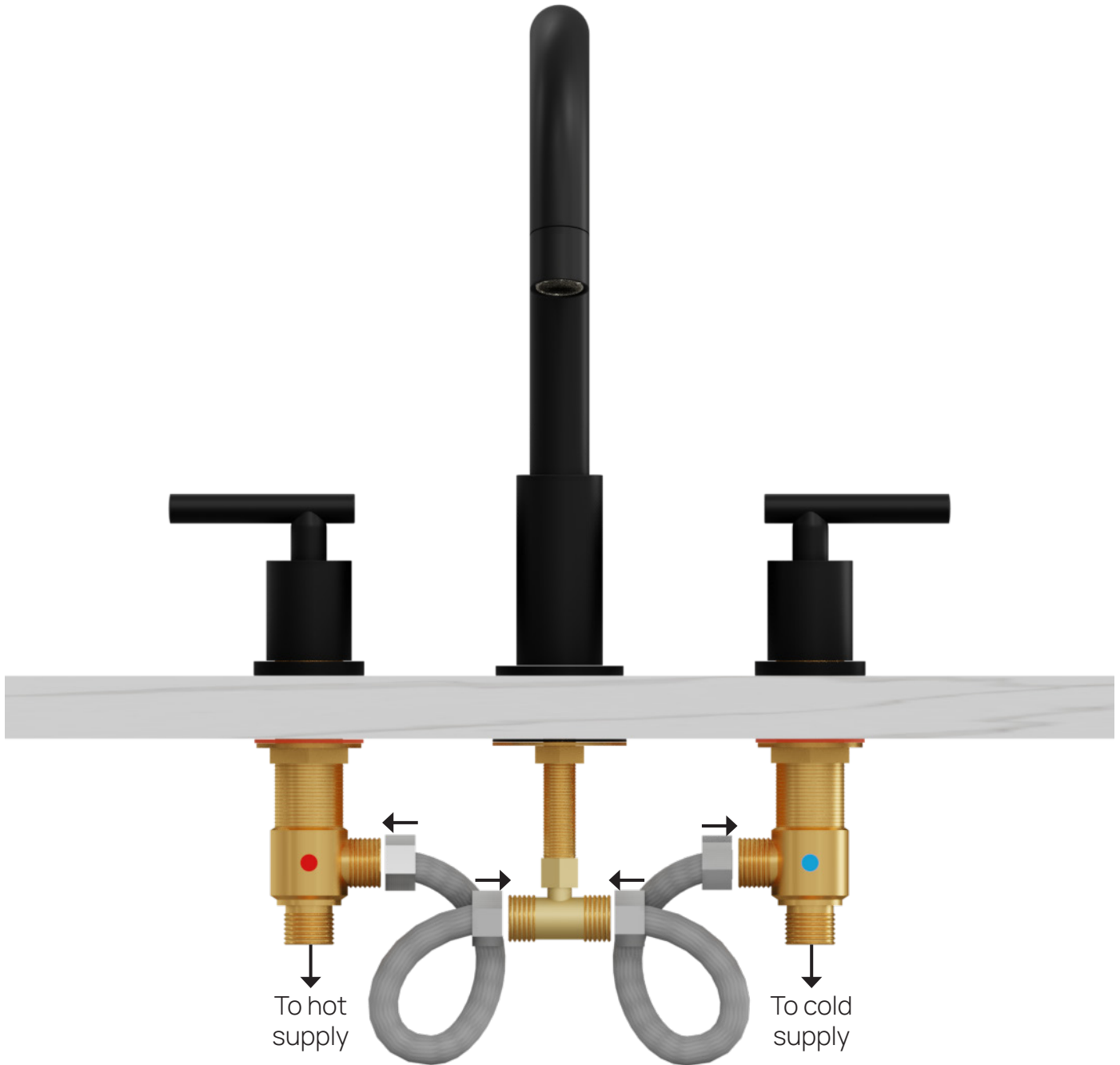
3

- Attach and tighten the t-piece to the spout as shown.



4

- Attach and tighten the connecting hoses from the faucet t-piece to the control handle valves. Connect supply lines to the 1/2" connection as shown in the diagram.



5

- Unscrew the aerator securing nut. Remove the aerator and o-ring
- Turn on the faucet for 1 minute to flush out any debris from the hose and supply lines. Once tested and flushed, re-install the aerator, o-ring and securing nut.



That's it! Enjoy your new faucet. 🧐

Reach out to the team with any questions.

Text us at: 505.456.5240

Email us at: customerservice@borhn.com

Enjoy your faucet!

Every Borhn product is characterized by a unique combination of timeless design, durable quality, and unrivalled craftsmanship.

Borhn.