

SKU:10007

borhn.com

Meridian

Single Hole Lav Faucet



Borhn.

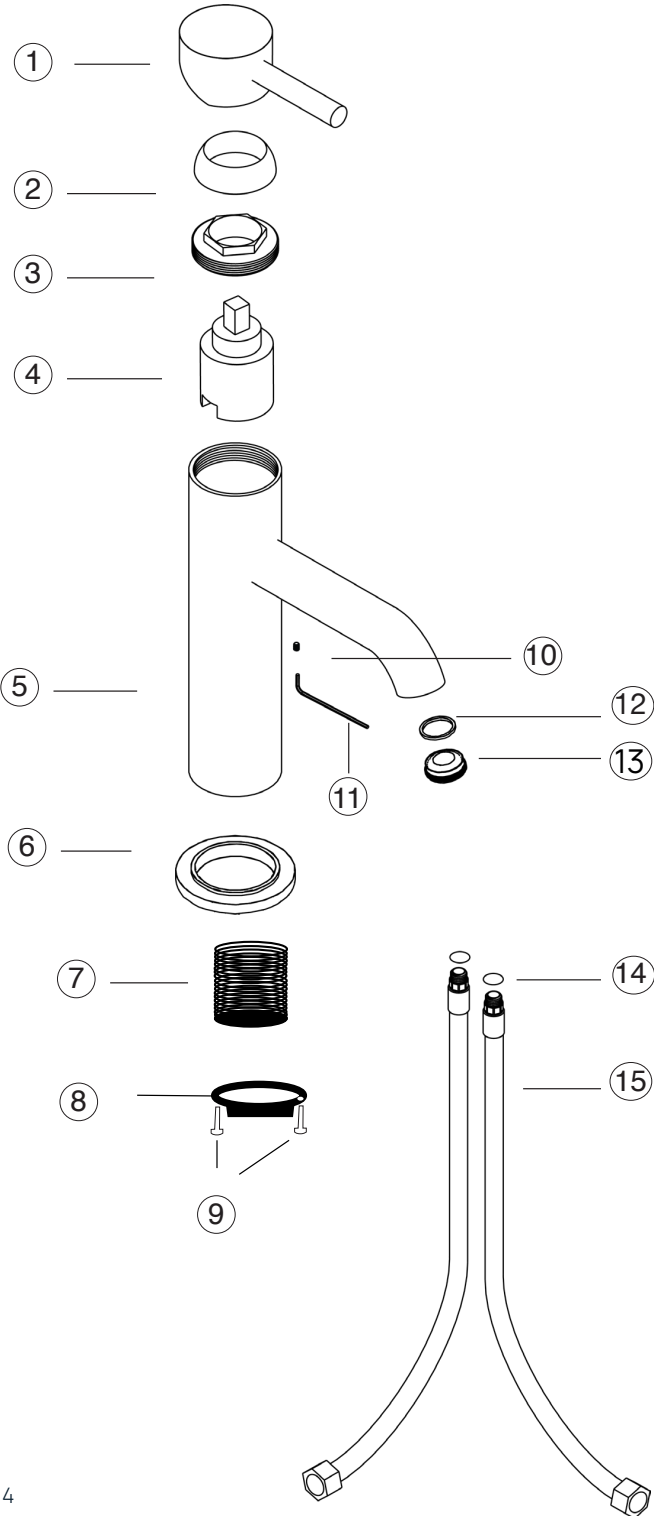
Borhn

to

be

different.

Here's what you have.



- ① Faucet Handle
- ② Dress Ring
- ③ Cartridge Securing Nut
- ④ Cartridge
- ⑤ Faucet Body
- ⑥ Faucet Escutcheon
- ⑦ Threaded Pipe
- ⑧ Securing Nut
- ⑨ Securing Nut Screws (2)
- ⑩ Faucet Spout Set Screw
- ⑪ Allen Wrench
- ⑫ Aerator Washer
- ⑬ Aerator
- ⑭ Supply Hose O-Ring (2)
- ⑮ Supply Hoses (2)

Product information.

Operating Temperature:

- Maximum: 176°F

Operating Flow Rate:

- 1.2 USGPM

Standards:

- CUPC
- AB1953
- NSF/ANSI 61
- ADA for lever handle

Approvals:



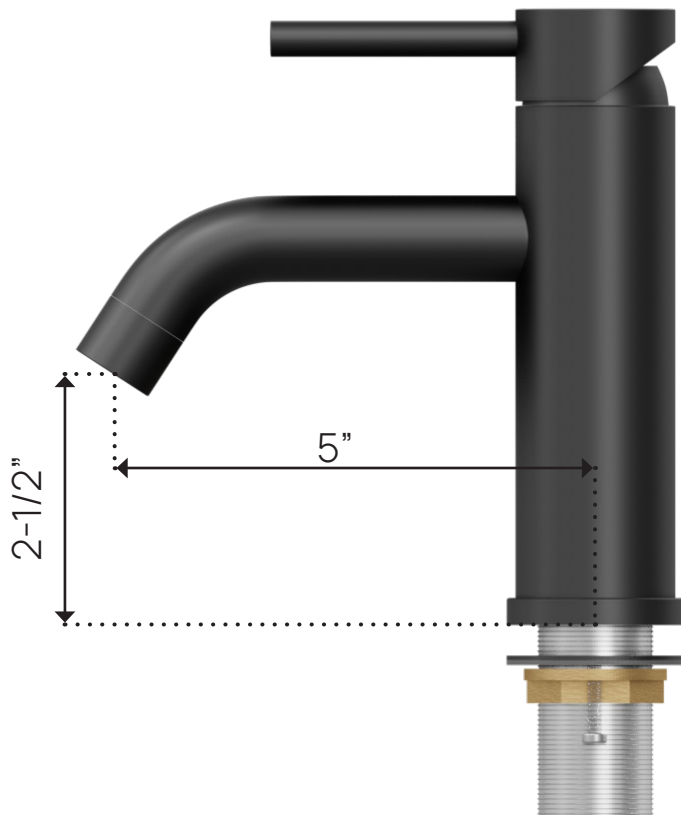
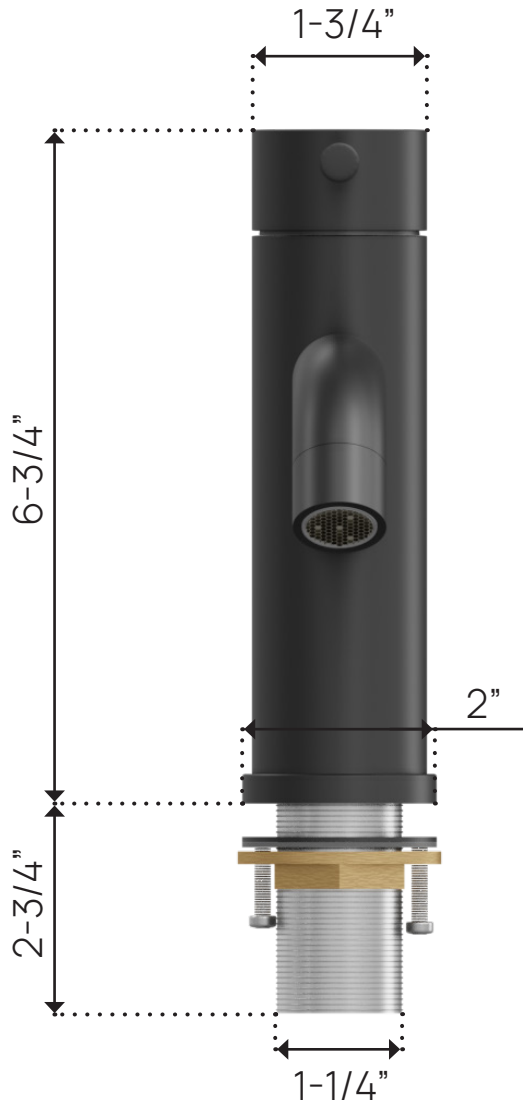
Countertop Measurements

- Max Thickness: 2-1/2"
- Hole Dimension: 1-3/8"

Available In:

Polished Chrome Satin Nickel Matte Black Satin Brass





1

- Install faucet through the 1-3/8" center hole.

- Install rubber washer, metal washer and securing nut below the countertop.



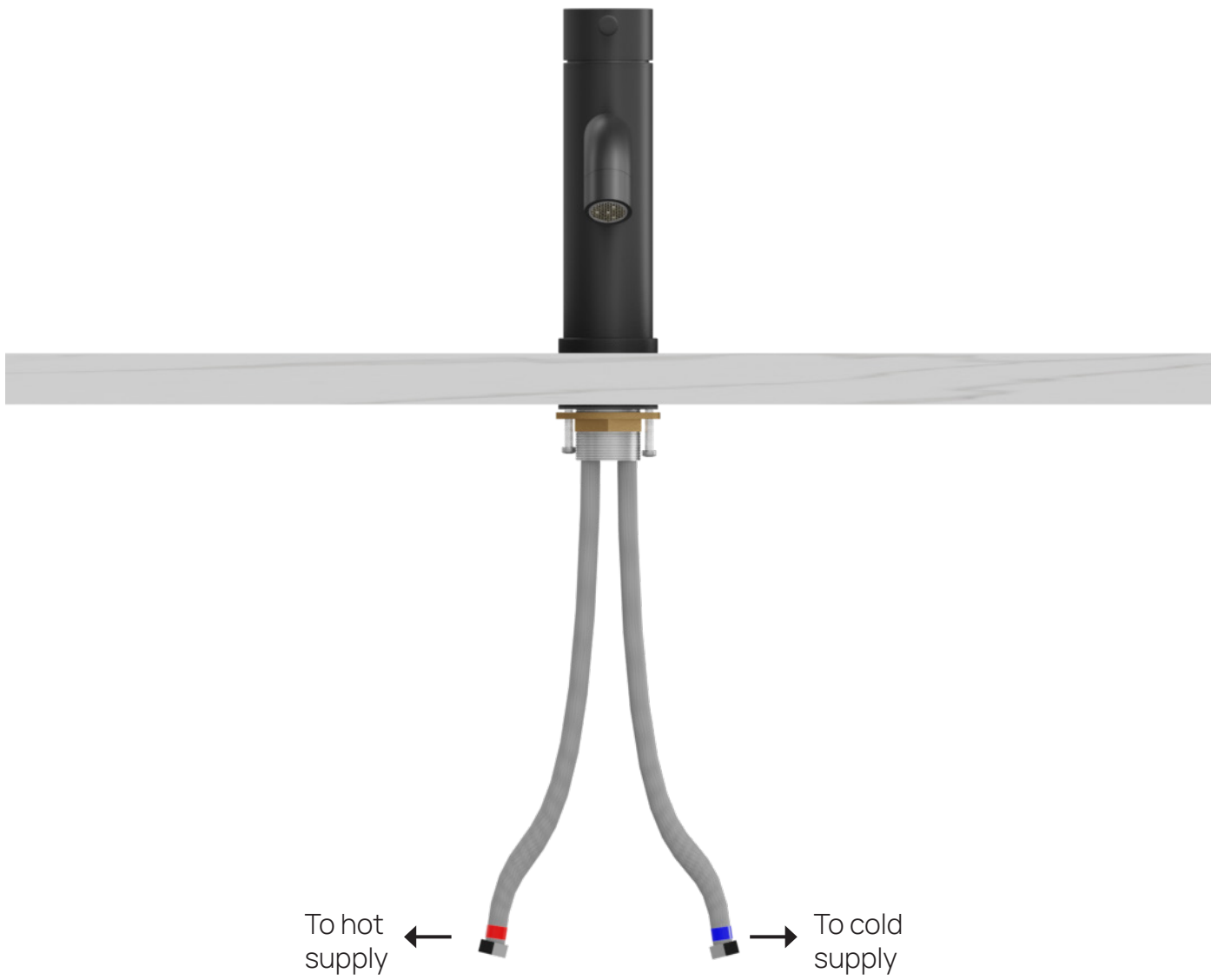
2

- Secure the faucet. Hand tighten the securing nut and use a screwdriver to tighten the securing nut screws.



3

- Connect the hoses to the water supply lines.



4

- Unscrew the aerator securing nut. Remove the aerator and o-ring
- Turn on the faucet for 1 minute to flush out any debris from the hose and supply lines. Once tested and flushed, re-install the aerator, o-ring and securing nut.



That's it! Enjoy your new faucet. 🧐

Reach out to the team with any questions.

Text us at: 505.456.5240

Email us at: customerservice@borhn.com

Enjoy your faucet!

Every Borhn product is characterized by a unique combination of timeless design, durable quality, and unrivalled craftsmanship.

Borhn.