

Icon

Single Hole Lav Faucet



Borhn.

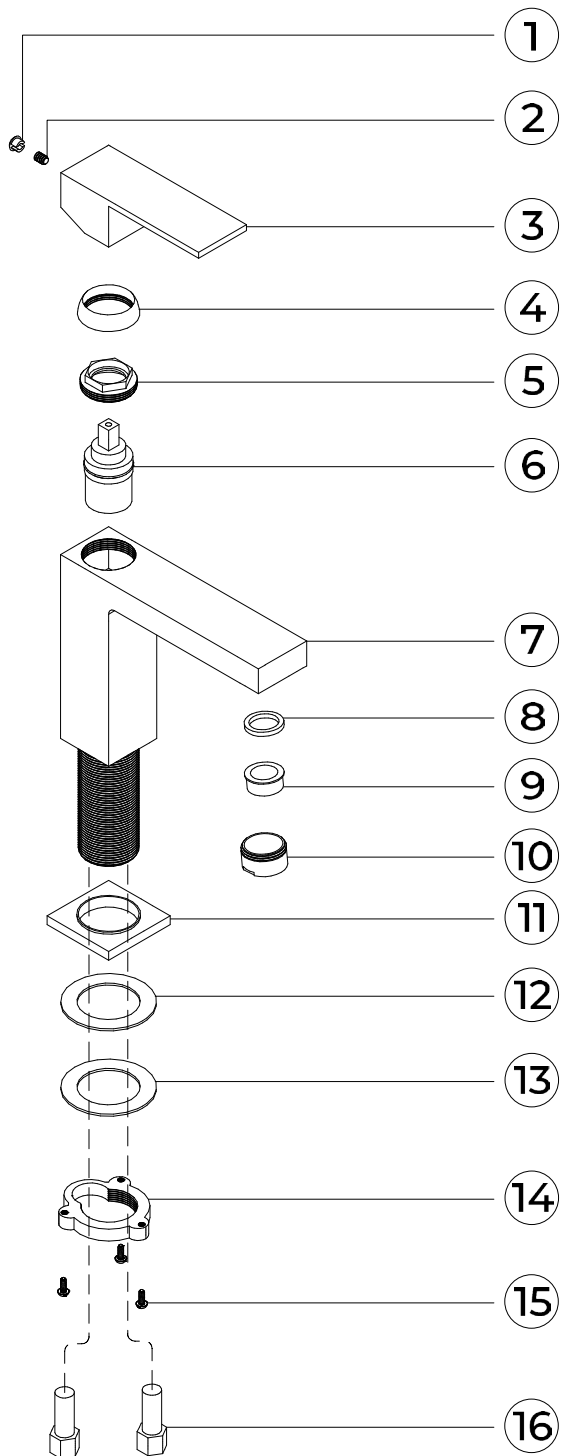
Borhn

to

be

different.

Here's what you have.



- ① Set Screw Cap
- ② Set Screw
- ③ Faucet Handle
- ④ Dress Ring
- ⑤ Cartridge Securing Nut
- ⑥ Cartridge
- ⑦ Faucet Body
- ⑧ Aerator O-Ring
- ⑨ Aerator
- ⑩ Aerator Securing Nut
- ⑪ Faucet Escutcheon
- ⑫ Rubber Washer
- ⑬ Metal Washer
- ⑭ Securing Nut
- ⑮ Securing Nut Screws (2)
- ⑯ Supply Hoses (2)

Product information.

Operating Temperature:

- Maximum: 176°F

Operating Flow Rate:

- 1.2 USGPM

Standards:

- CUPC
- AB1953
- NSF/ANSI 61
- ADA for lever handle

Approvals:



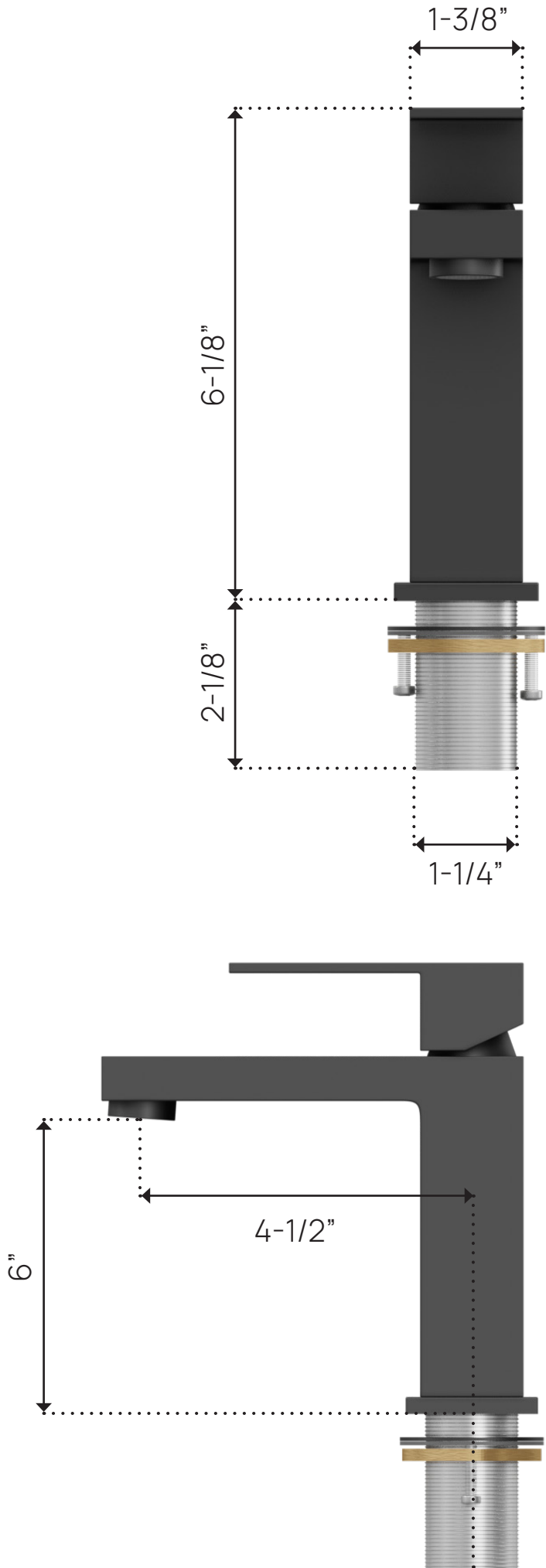
Countertop Measurements

- Max Thickness: 2-1/2"
- Hole Dimension: 1-3/8"

Available In:

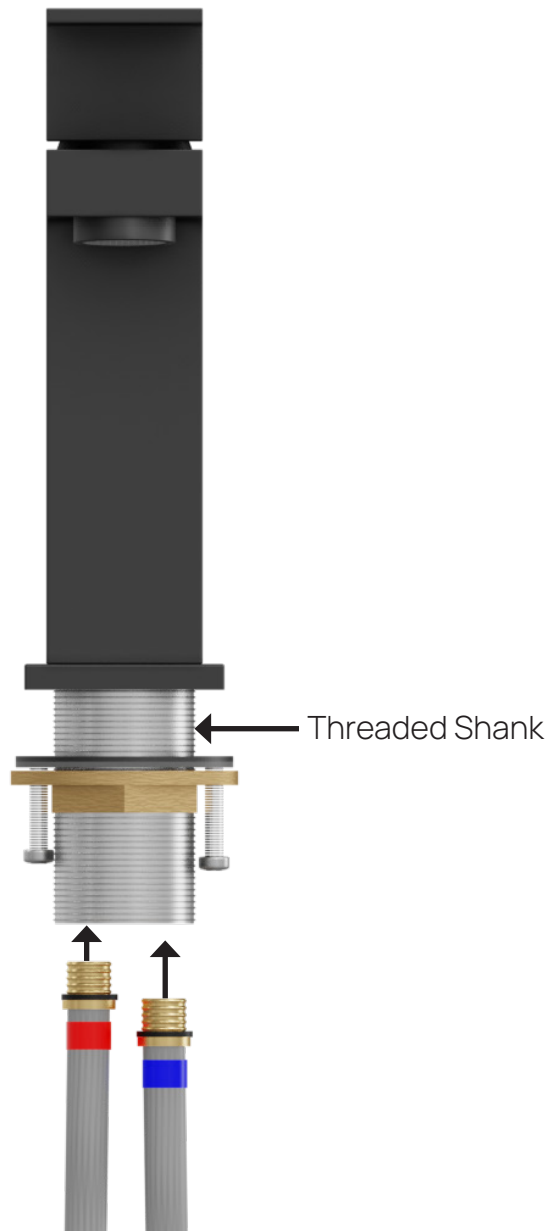
Polished Chrome Satin Nickel Matte Black Satin Brass





1

- Hand tighten the hot and cold supply hoses to the faucet, ensuring the hot is on the left and the cold on the right as shown in the diagram.
- *Note* The threaded shank will unscrew to make the connections easier to access if necessary.



2

- Install faucet through the 1-3/8" center hole.

- Install rubber washer, metal washer and securing nut below the countertop.



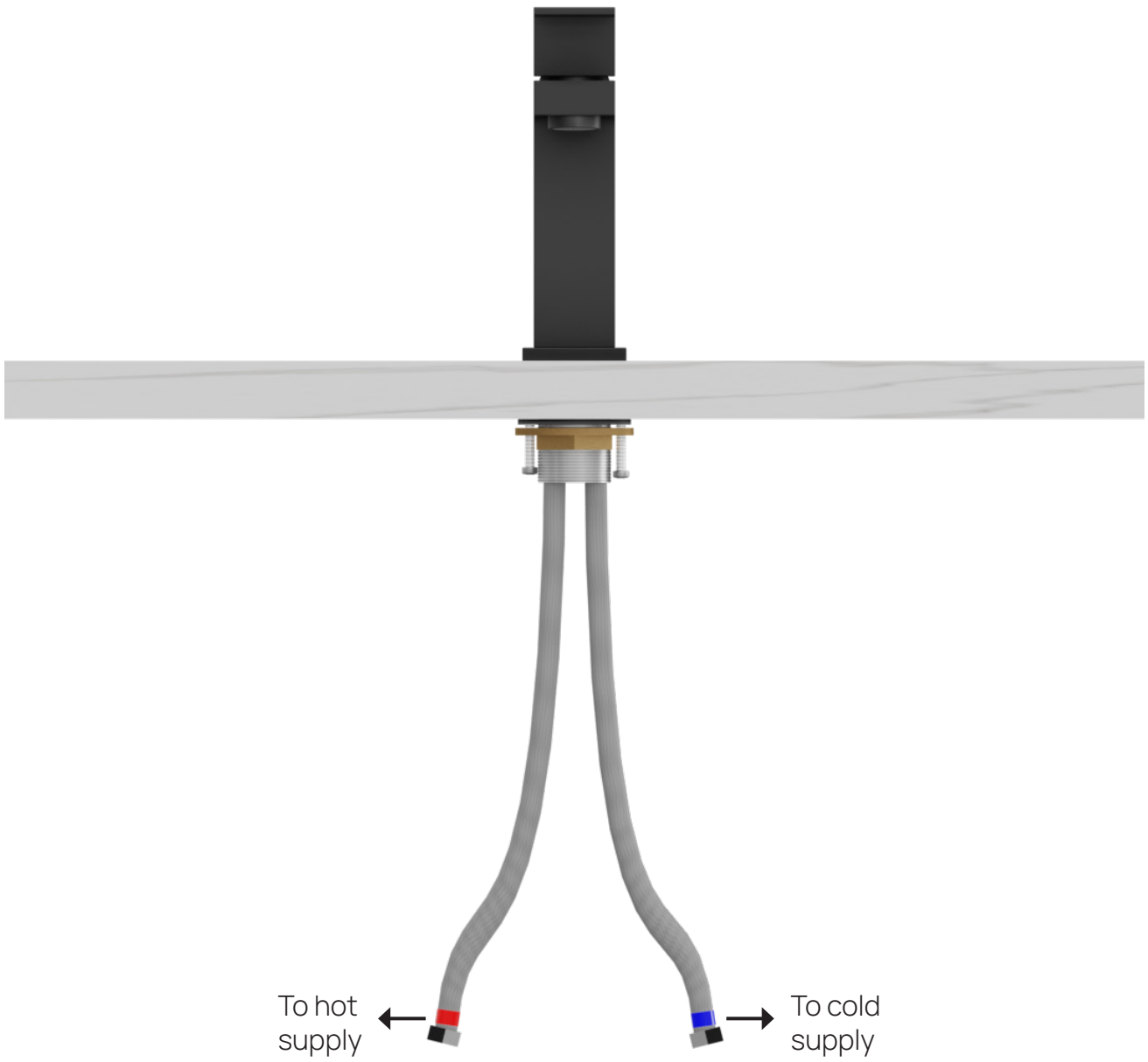
3

- Secure the faucet. Hand tighten the securing nut and use a screwdriver to tighten the securing nut screws.



4

- Connect the hoses to the water supply lines.



5

- Unscrew the aerator securing nut. Remove the aerator and o-ring
- Turn on the faucet for 1 minute to flush out any debris from the hose and supply lines. Once tested and flushed, re-install the aerator, o-ring and securing nut.



That's it! Enjoy your new faucet. 🧐

Reach out to the team with any questions.

Text us at: 505.456.5240

Email us at: customerservice@borhn.com

Enjoy your faucet!

Every Borhn product is characterized by a unique combination of timeless design, durable quality, and unrivalled craftsmanship.

Borhn.