

Meridian

Premium Kitchen Faucet



Borhn.

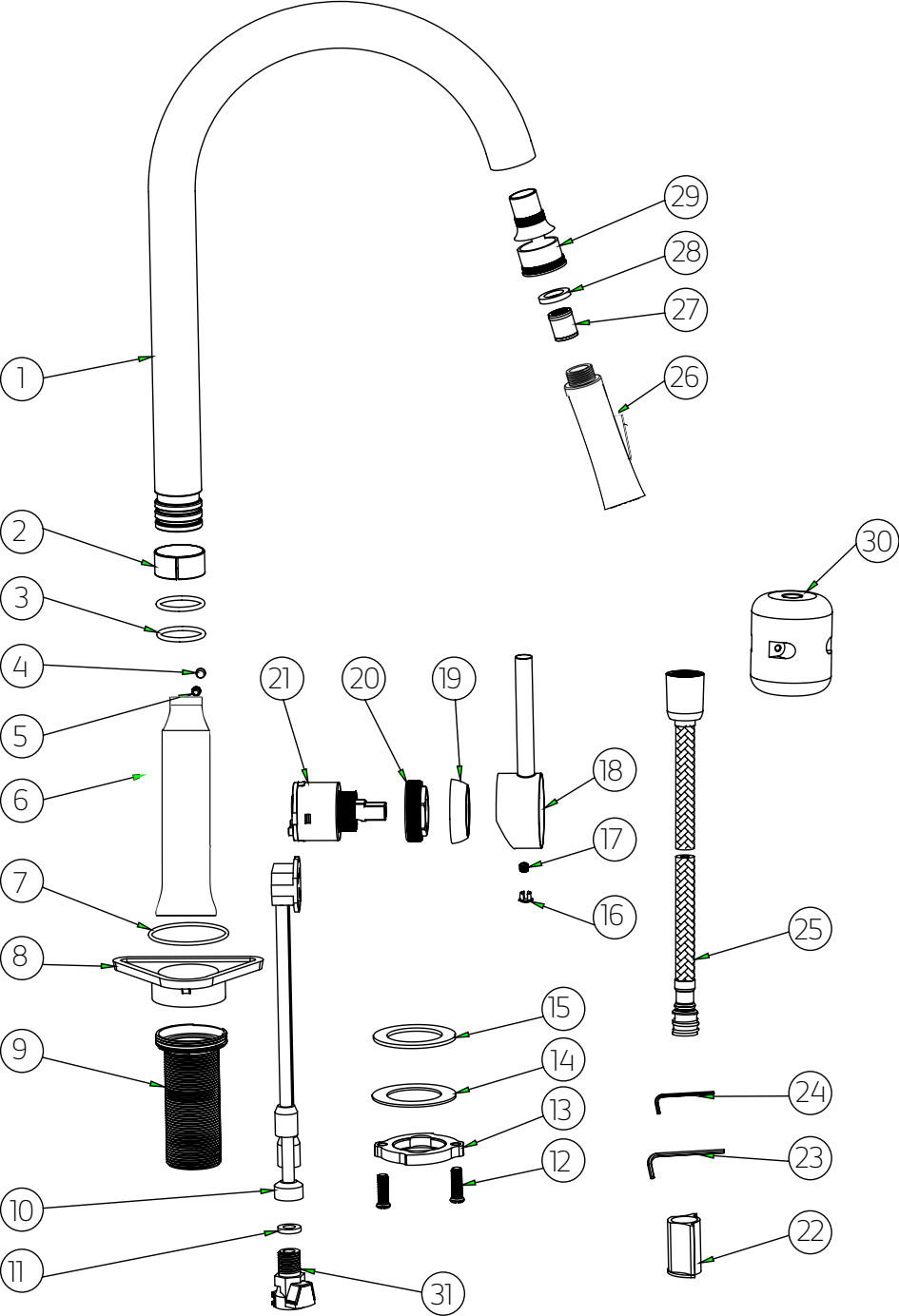
Borhn

to

be

different.

Here's what you have.



- ① Faucet Spout
- ② Spout Securing Nut
- ③ O-Ring
- ④ Set Screw
- ⑤ Set Screw
- ⑥ Faucet Body
- ⑦ Faucet Body O-Ring
- ⑧ Plastic Holder
- ⑨ Shank
- ⑩ Cartridge Seat &
- ⑪ Connector
- ⑫ Seat O-Ring
- ⑬ Securing Nut Screws (2)
- ⑭ Securing Nut
- ⑮ Metal Washer
- ⑯ Rubber Washer
- ⑰ Handle Set Screw Cover
- ⑱ Handle Set Screw
- ⑲ Control Handle
- ⑳ Bevel
- ㉑ Cartridge Securing Nut
- ㉒ Cartridge
- ㉓ Protective Tube
- ㉔ Allen Key
- ㉕ Allen Key
- ㉖ Pull Out Hose
- ㉗ Hose Spray
- ㉘ Check Valve
- ㉙ Valve O-Ring
- ㉚ Bush
- ㉛ Counterweight
- ㉜ Quick Kit Connector

Product information.

Operating Temperature:

- Maximum: 176°F

Operating Flow Rate:

- 1.8 gpm max (6.8L/min) at 60 psi

Cartridge:

- Ceramic disk cartridge

Standards:

- CUPC
- AB1953
- NSF/ANSI 61
- ADA for lever handle

Approvals:



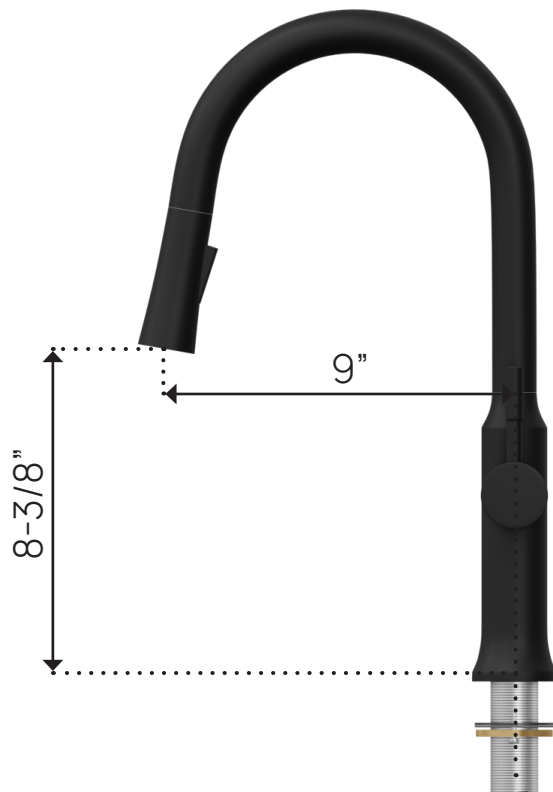
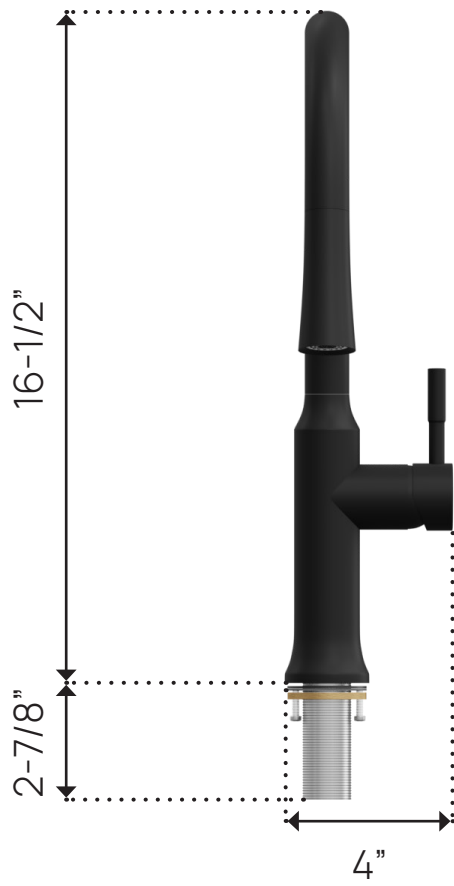
Countertop Measurements

- Max Thickness: 1-1/2"
- Hole Dimension: 1-3/8"

Available In:

Polished Chrome Satin Nickel Matte Black Satin Brass



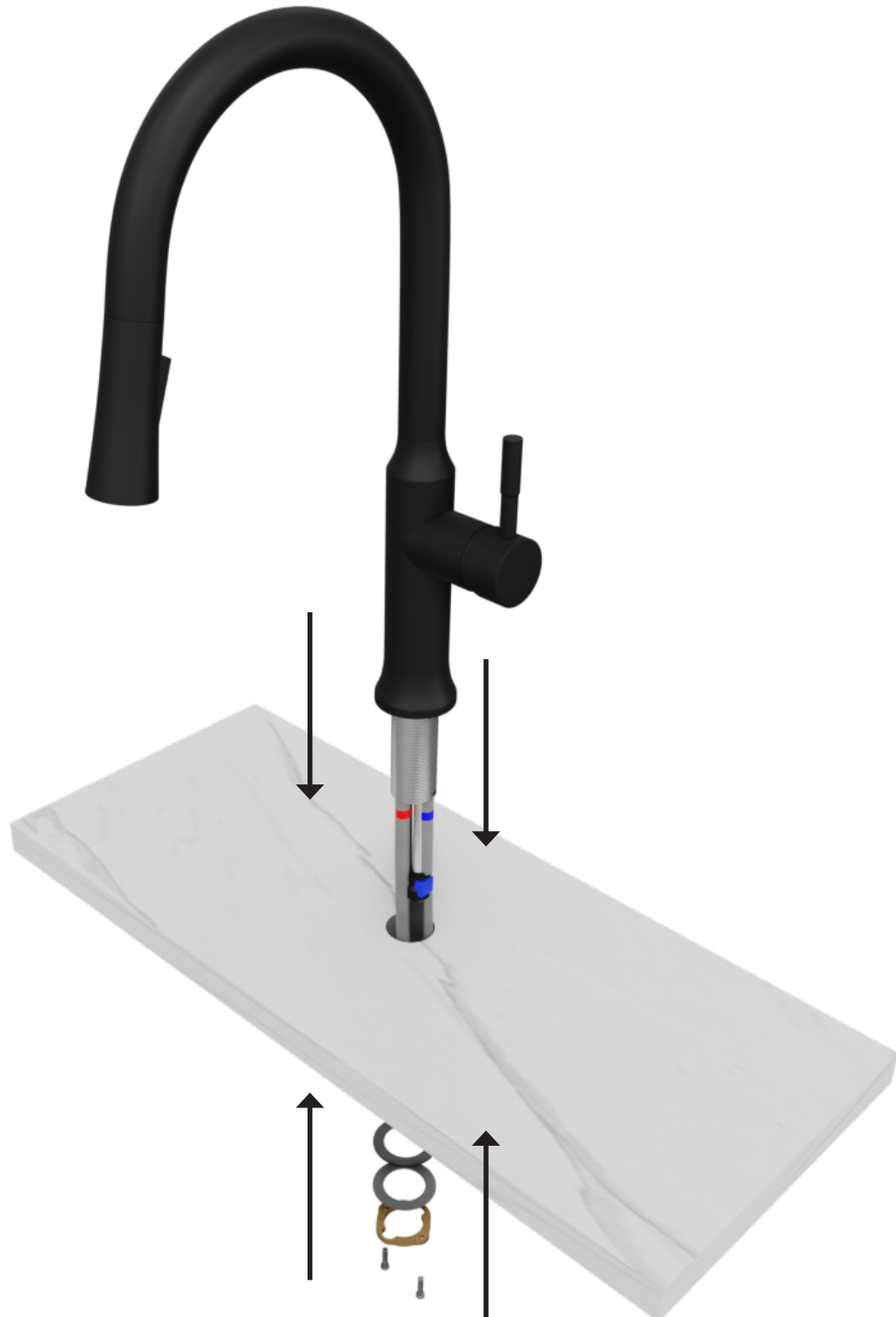


1

- Install faucet through the 1-3/8" center hole.

- Install rubber washer, metal washer and securing nut below the countertop.

- *Note* If installing on a stainless steel surface, use the plastic holder (part 8) to keep the faucet stable.



2

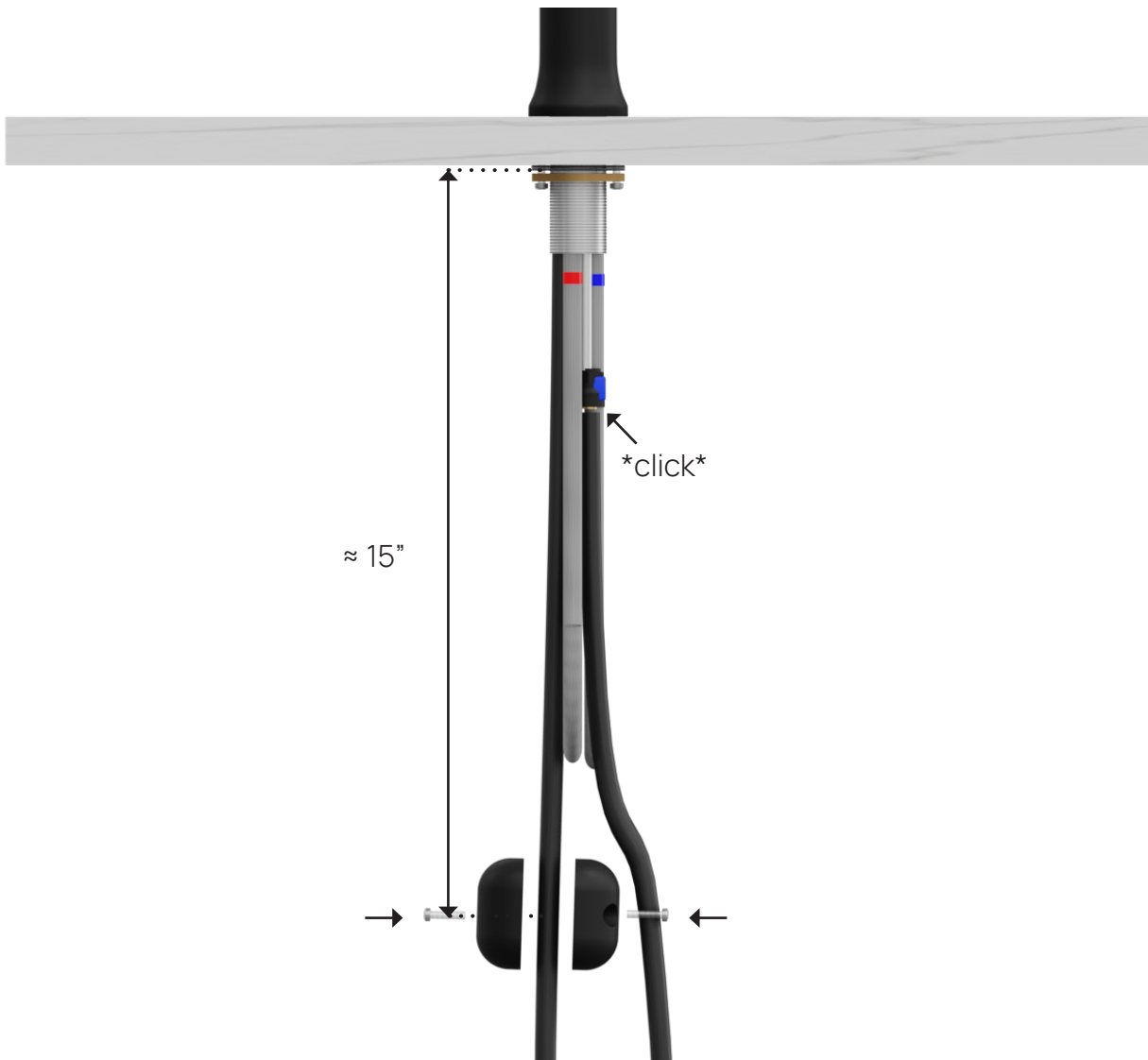
- Secure the faucet. Hand tighten the securing nut and use a screwdriver to tighten the securing nut screws.



3

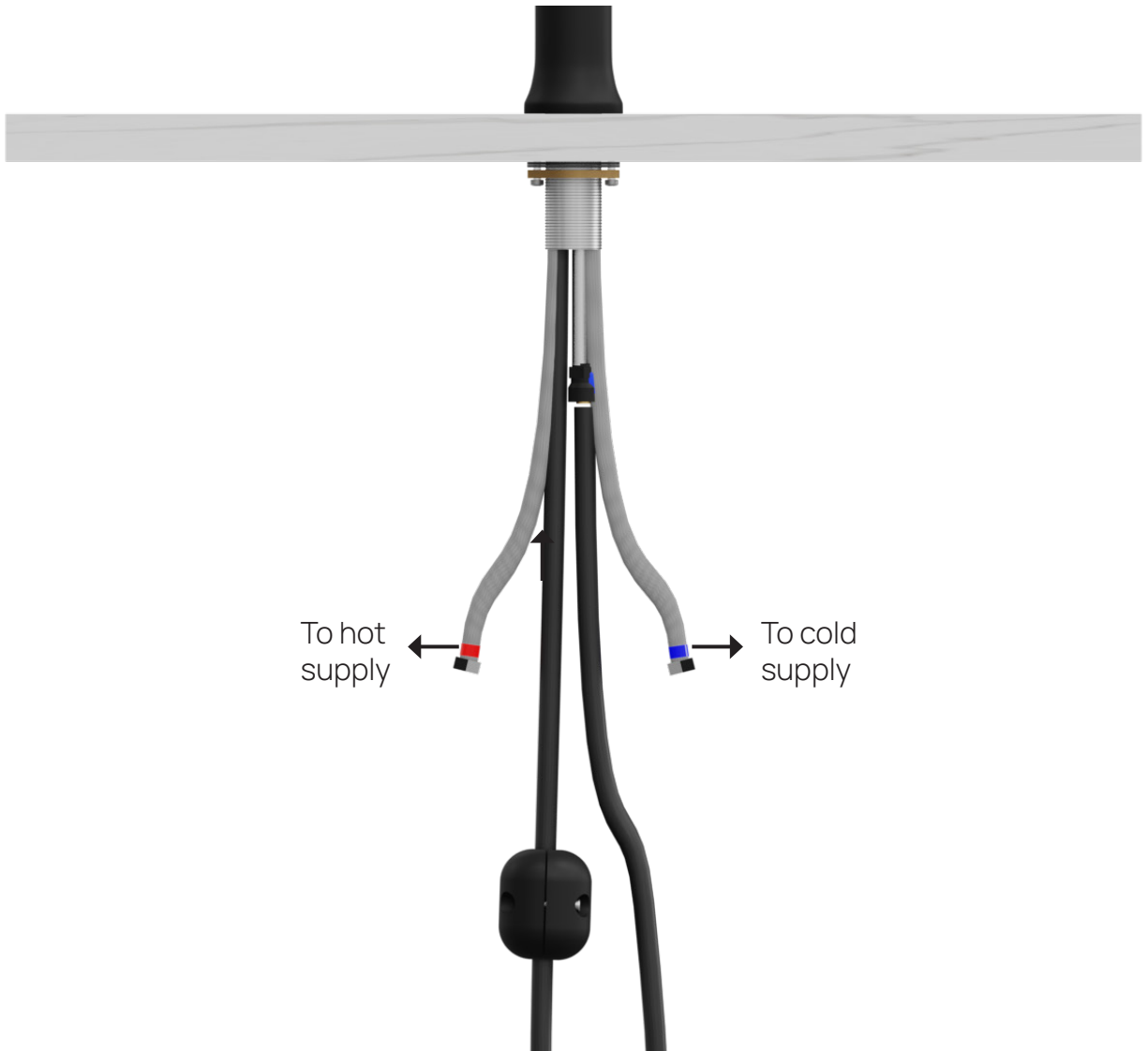
- Install the counterweight. We recommend measuring 15 inches from the faucet body, and installing it onto the pull out hose at that point. Ensure the spray head pulls out easily and retracts smoothly. Adjust as needed.

- If not already installed, push the hose into the quick connect. You should hear a satisfying *click*.



4

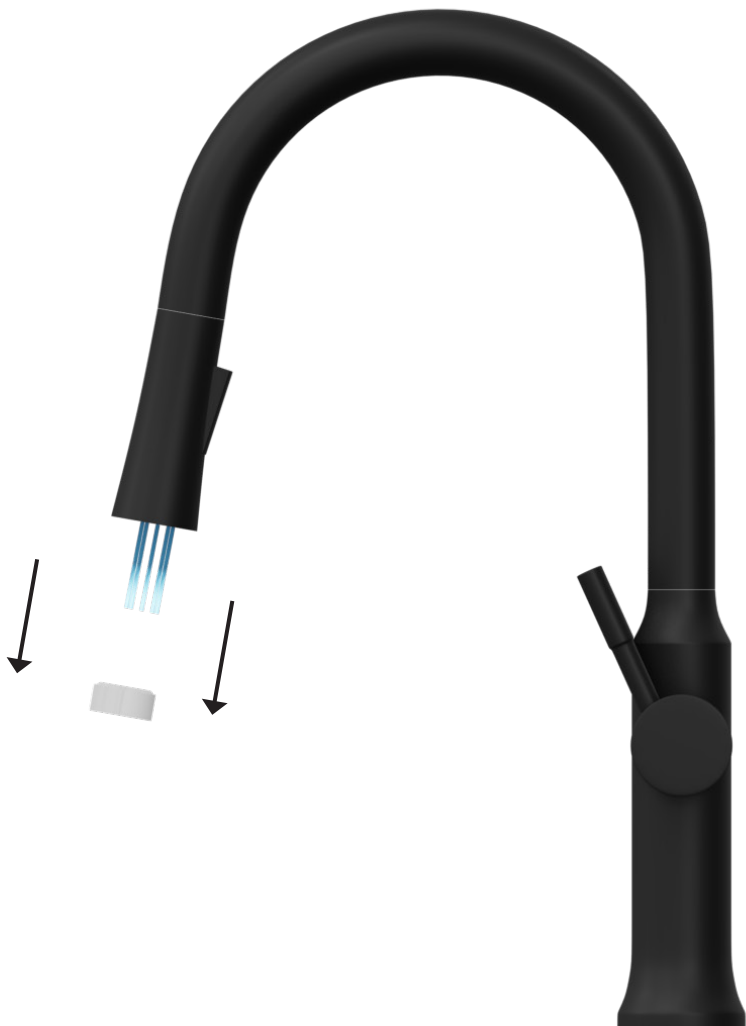
- Attach and tighten the hot and cold supply hoses to the corresponding supply lines.



5

- Remove the aerator from the faucet.

- Turn on the faucet for 1 minute to flush out any debris from the hose and supply lines. Once tested and flushed, re-install the aerator.



That's it! Enjoy your new faucet. 🧐

Reach out to the team with any questions.

Text us at 505.456.5240

Email us at customerservice@borhn.com

Enjoy your faucet!

Every Borhn product is characterized by a unique combination of timeless design, durable quality, and unrivalled craftsmanship.

Borhn.