

SKU:10001

borhn.com

# Meridian

Kitchen Faucet



Borhn.

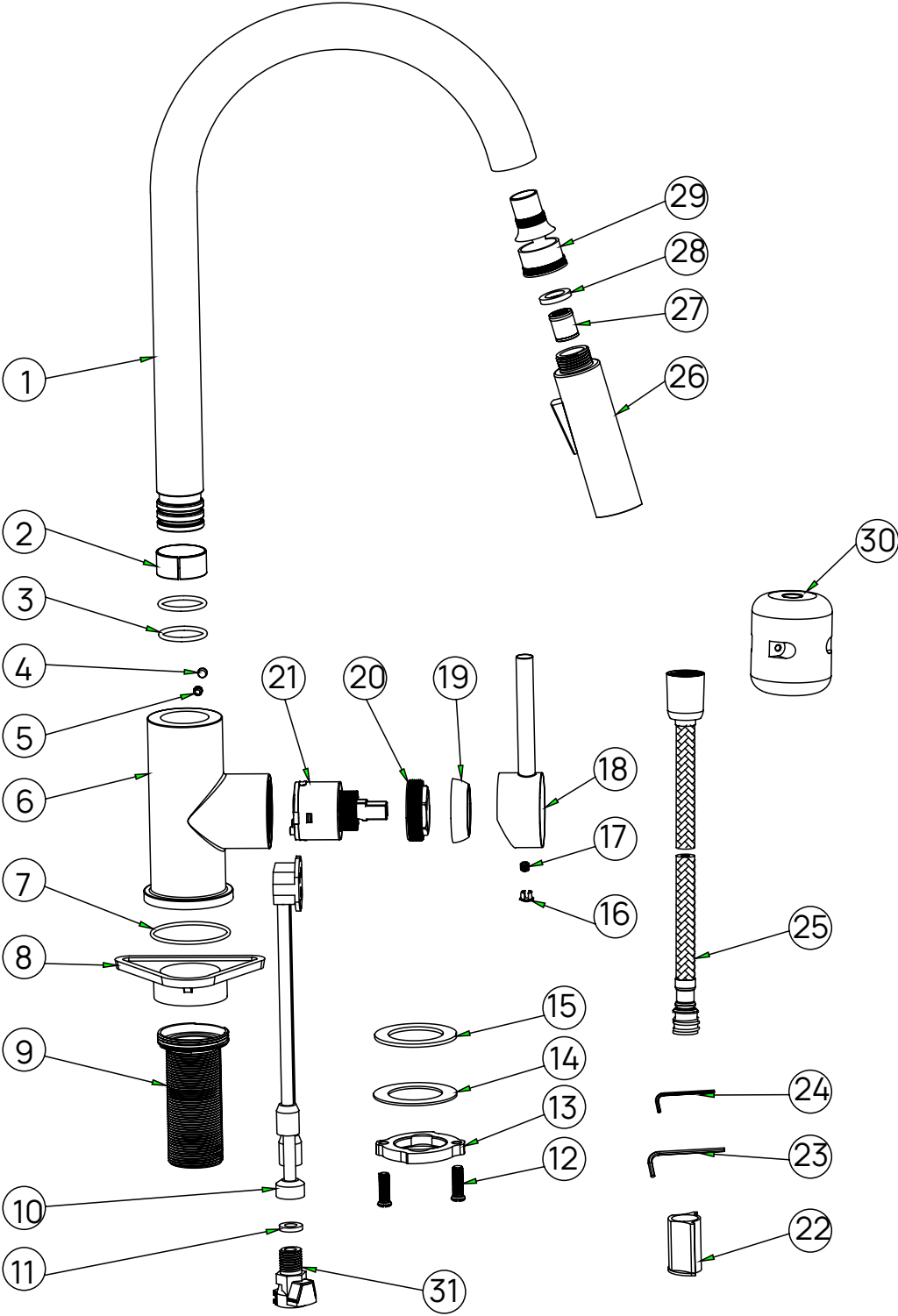
Borhn

to

be

different.

# Here's what you have.



- ① Spout
- ② O-Ring
- ③ O-Ring
- ④ Silicon Nut
- ⑤ Hex Screw
- ⑥ Body
- ⑦ O-Ring
- ⑧ Plastic Holder
- ⑨ Shank
- ⑩ Cartridge Seat and Connector
- ⑪ Seat O-Ring
- ⑫ Securing Nut Screw (2)
- ⑬ Securing Nut
- ⑭ Metal Washer
- ⑮ Rubber Washer
- ⑯ Set Screw Cover
- ⑰ Handle Set Screw
- ⑱ Handle
- ⑲ Dress Ring
- ⑳ Cartidge Securing Nut
- ㉑ Cartridge
- ㉒ Protective Tube
- ㉓ Allen Wrench
- ㉔ Allen Wrench
- ㉕ Pull-Out Hose
- ㉖ Spray Head
- ㉗ Check Valve
- ㉘ Nozzle Screen
- ㉙ Bush
- ㉚ Counterweight
- ㉛ Quick Connector

# Product information.

## Operating Temperature:

- Maximum: 176°F

## Operating Flow Rate:

- 1.8 gpm max (6.8L/min) at 60 psi

## Cartridge:

- Ceramic disk cartridge

## Standards:

- CUPC
- AB1953
- NSF/ANSI 61
- ADA for lever handle

## Approvals:



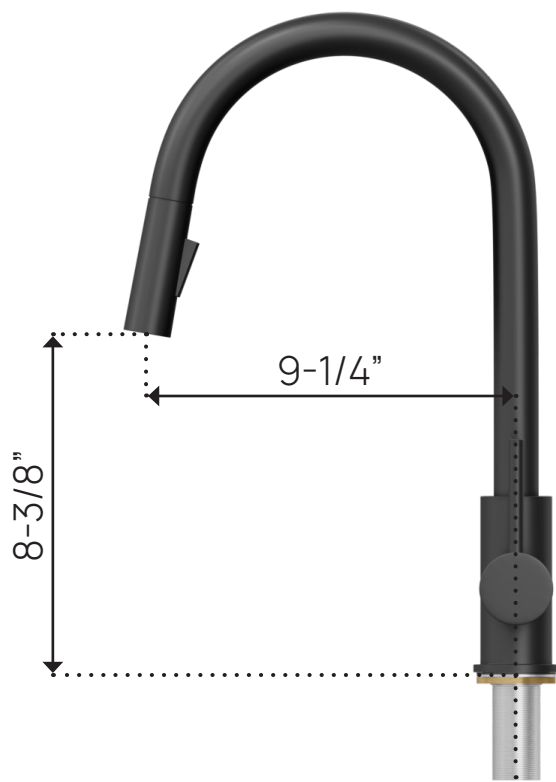
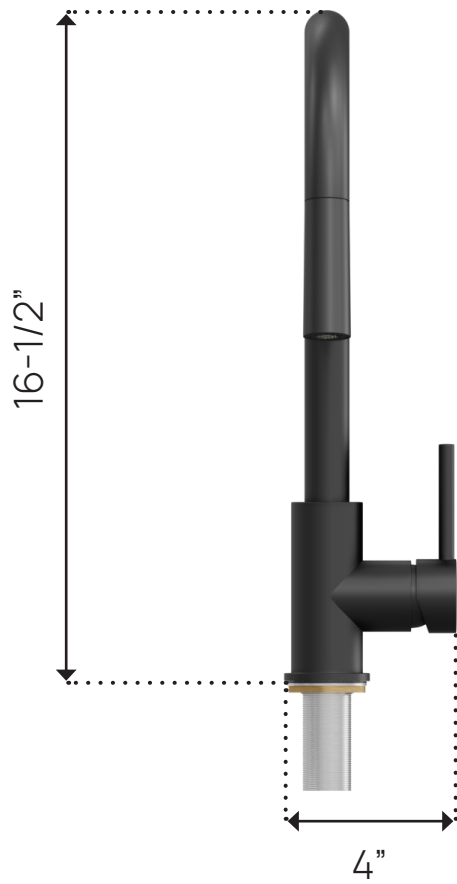
## Countertop Measurements

- Max Thickness: 1-1/2"
- Hole Dimension: 1-3/8"

## Available In:

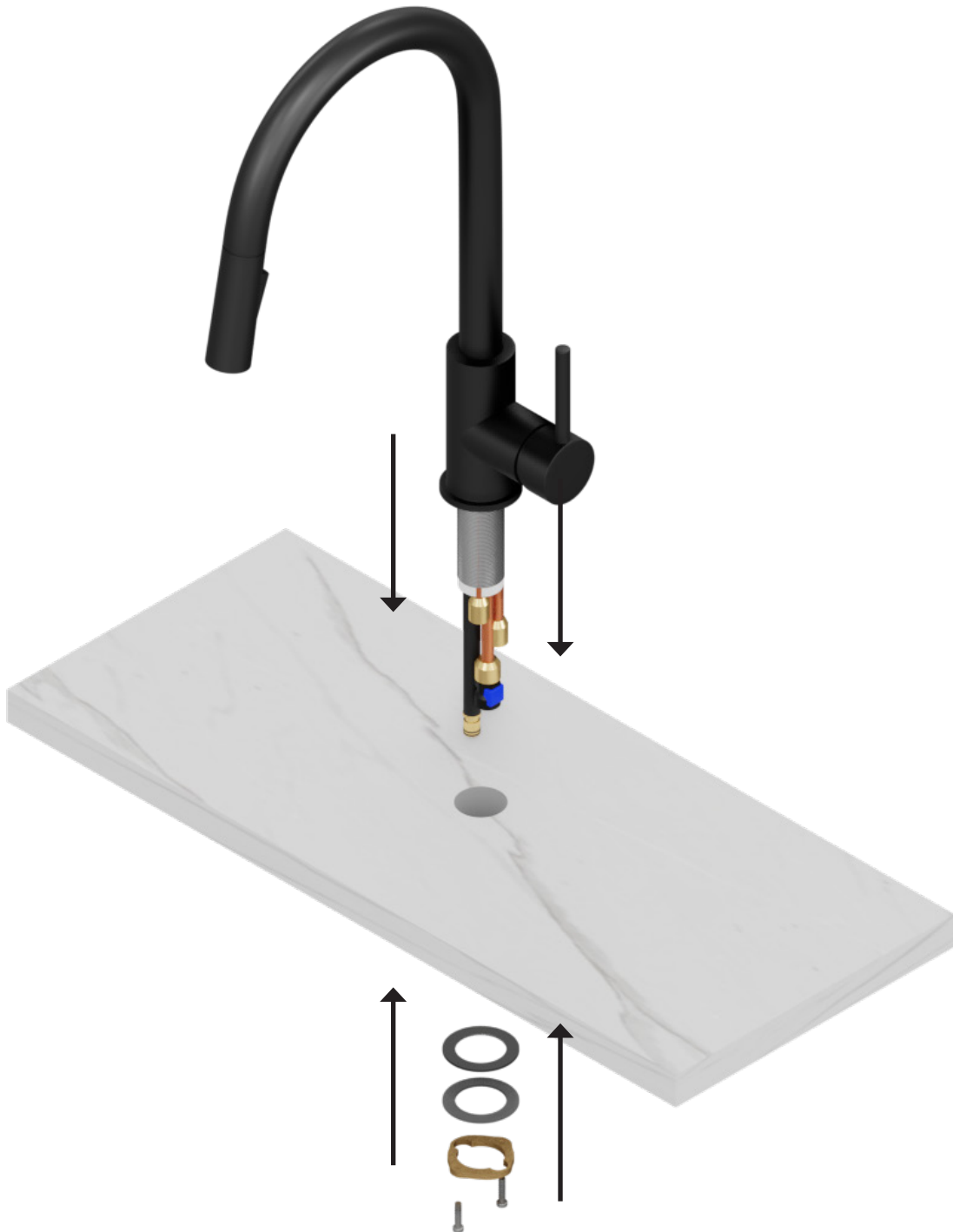
Polished Chrome    Satin Nickel    Matte Black    Satin Brass





1

- Install faucet through the 1-3/8" center hole.
- Install rubber washer, metal washer and securing nut below the countertop.
- \*Note\* If installing on a stainless steel surface, use the plastic holder (part 8) underneath the deck to keep it stable.





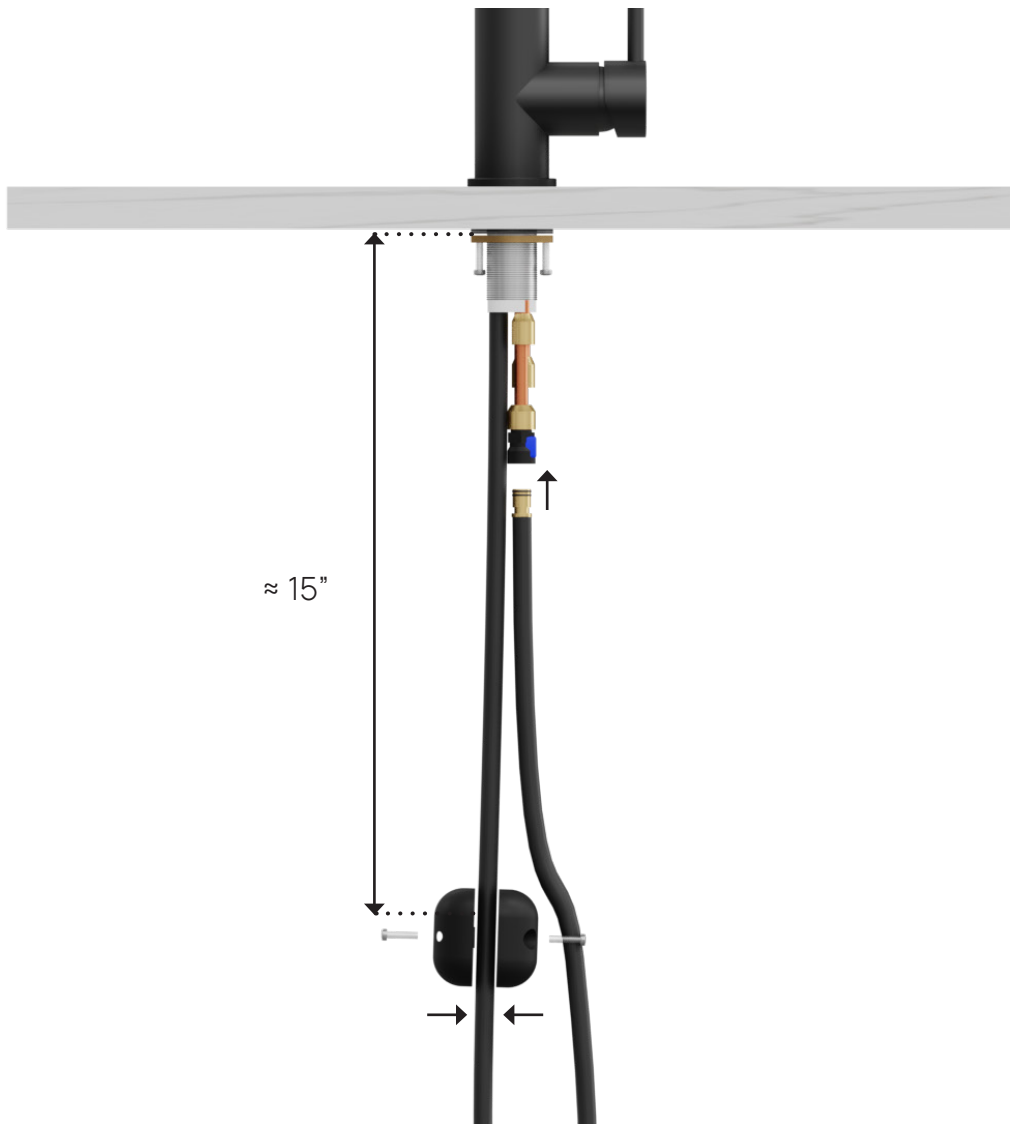
2

- Secure the faucet. Hand tighten the securing nut and use a screwdriver to tighten the securing nut screws.



3 - Install the counterweight. We recommend measuring 15 inches from the faucet body, and installing it onto the pull out hose at that point. Ensure the spray head pulls out easily and retracts smoothly. Adjust as needed.

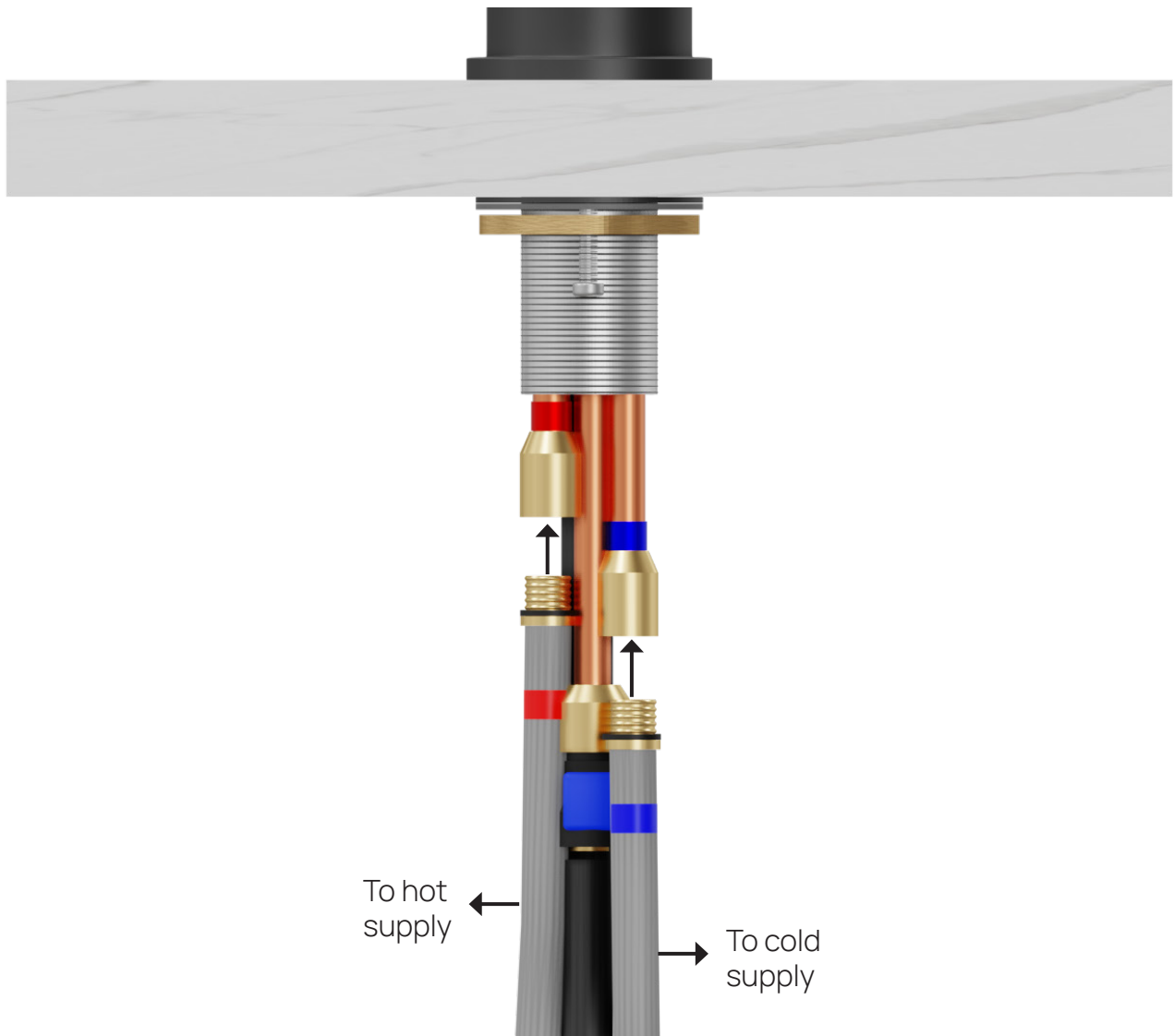
- Push the hose into the quick connect. You should hear a satisfying \*click\*.



4

- Attach the hot and cold supply hoses to the kitchen faucet. Ensure they are tightened and secure.

- Attach the other end of the supply hose to the supply lines.



5

- Unscrew the pull-out spray head from the hose. Remove the nozzle screen.
- Turn on the faucet for 1 minute to flush out any debris from the hose and supply lines. Once tested and flushed, re-install the spray head and nozzle screen.



That's it! Enjoy your new faucet. 🧐

Reach out to the team with any questions.

Text us on 505.456.5240

Email us at [customerservice@borhn.com](mailto:customerservice@borhn.com)

Enjoy your faucet!

Every Borhn product is characterized by a unique combination of timeless design, durable quality, and unrivalled craftsmanship.

Borhn.